

Industrial L2 Managed PoE Switch

SP3006FM-L2 | SP3010FM-L2

Overview

Wi-Tek Superic industrial L2 managed PoE switch provide 4/8 Gigabit Ethernet RJ-45 ports and 2 2.5 Gigabit SFP uplink ports. All RJ-45 ports comply with 802.3af/at PoE (PoE+) standard and output up to 30W PoE power per port.

This series switch support Layer 2 management functions, such as VLAN, VLAN classification, QinQ, port mirroring, STP, RSTP, MSTP, IGMP, QoS, DHCP, multicast, ACL, dying gasp, LLDP, 802.1X, fiber transceiver DDM, PoE management, G.8032 ERPS protocol, IPV6 management, Web, SNMP, Telnet, TFTP, etc.

Professional design providing a flexible, easy to use and reliable industrial network solution. Redundant power design with polarity reverse/over-voltage/over-current protection, guarantee the safe power supply. Solid shell, wide operation temperature from -40°C to 75°C and high-level EMI/EMC capability design, ensure its stable and reliable operation even in harsh environment.

It is the best choice for outdoor CCTV project, wireless coverage project and the project of industrial application scenarios such as factory and transportation.

Key Features

Full Gigabit Interfaces Design

SP3006FM-L2:

4×10/100/1000 Base-T PoE+ ports and 2×1000/ 2500 Base-X SFP ports

SP3010FM-L2:

8×10/100/1000 Base-T PoE+ ports and 2×1000/ 2500 Base-X SFP port

-40~75°C Operating Temperature

-40~75°C working temperature design, makes it meet the requirement of harsh application environment.

High Level Protection Design

6kV surge immunity for Ethernet ports, 15kV air discharge and 8kV contact discharge ESD protection, makes it an ideal choice for outdoor application scenario.

Robust L2 Managed Functions

Support robust Layer 2 management functions, such as VLAN, VLAN classification, QinQ, port mirroring, STP, RSTP, MSTP, IGMP, QoS, DHCP, multicast, ACL, dying gasp, LLDP, 802.1X, fiber transceiver DDM, PoE management, G.8032 ERPS protocol, IPV6 management can meet the requirement of simple industrial project. discharge ESD protection, makes it an ideal choice for outdoor application scenario.

Redundant DC Power Input Design

Support redundant 44-57V DC power input, provide reliable alternative power access solutions.



Specifications

| Hardware Specification | | |
|-----------------------------|--|---|
| Model | SP3006FM-L2 | SP3010FM-L2 |
| Interfaces | | |
| Downlink Ports | 4*10/100/1000 Base-T PoE+ RJ-45(Auto-MDI/MDI-X) | 8*10/100/1000 Base-T PoE+ RJ-45(Auto-MDI/MDI-X) |
| Uplink Ports | 2*1000/ 2500 Base-X SFP | |
| Management port | 1*RJ45 Console | |
| PoE | | |
| PoE Standard | IEEE 802.3af/at (PSE) | |
| PoE Power Supply Type | End-span | |
| PoE Pin Assignment | 1/2(+), 3/6(-) | |
| PoE Power Output | 46~55V DC | |
| PoE Power | 30W max for each port, 120W max | 30W max for each port, 240W max |
| Switch Property | | |
| Standards | IEEE 802.3 10Base-T Ethernet IEEE 802.3u 100Base-TX Ethernet IEEE 802.3ab 1000Base-T Ethernet IEEE 802.3z 1000Base-X Ethernet IEEE802.3x Flow Control and Back Pressure IEEE 802.1D Spanning Tree Protocol IEEE 802.1w Rapid Spanning Tree Protocol IEEE 802.1Q VLAN ITU-T G.8032 ERPS IEEE 802.1X Port Authentication Network Control IEEE 802.1ab LLDP IEEE 802.3ad LACP IEEE802.3af PoE IEEE802.3at PoE plus | |
| Forwarding Modes | Store and Forward | |
| Packet Buffer | 2Mbit | |
| MAC Table | 16k | |
| Switching Capacity | 12Gbps | 20Gbps |
| Packet Forwarding Rate | 8.9Mpps | 14.9Mpps |
| Jumbo Frame | 10kB | |
| Power Supply | | |
| Input Voltage | Power 1 (Main): 44~57V DC, Power 2 (Backup): 44~57V DC | |
| Power Consumption | Full loading without PoE ≤ 8W PoE power budget ≤ 120W | Full loading without PoE ≤ 10W PoE power budget ≤ 240W |
| Connector | Removable 4-pin terminal block | |
| Reverse polarity protection | Support | |
| Over-voltage protection | Support | |
| Over-current protection | Support | |

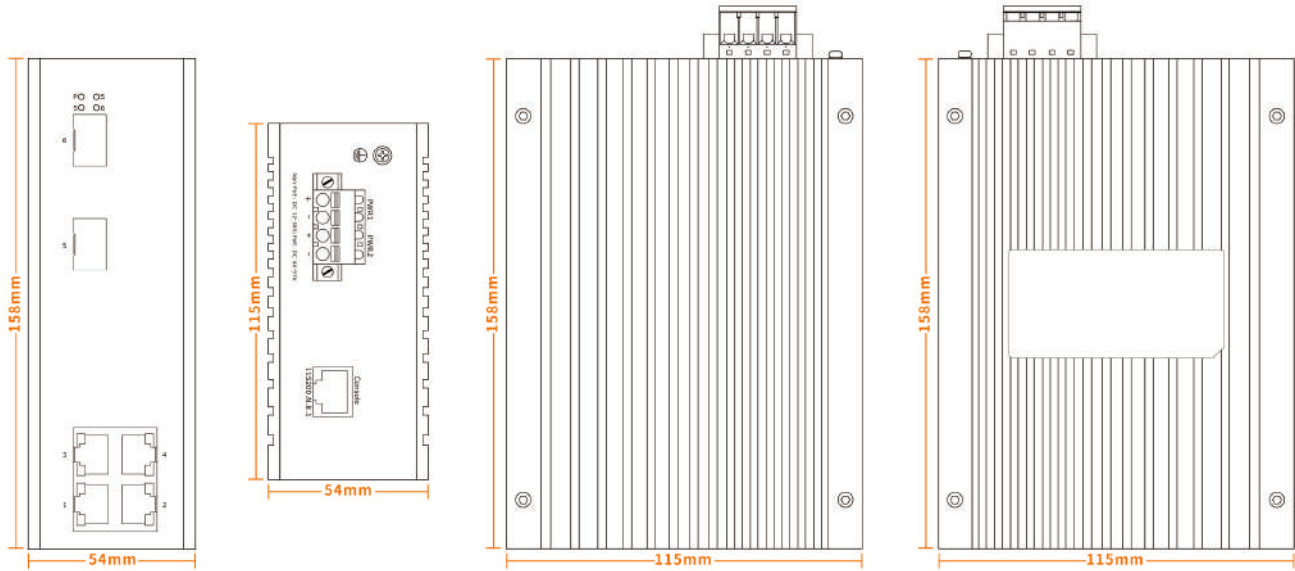
| Environmental Reliability | | |
|-----------------------------|--|---|
| Industrial Standard | Surge protection of power: IEC 61000-4-5 6KV/4KV (8/20us) | |
| | Surge protection of Ethernet ports: IEC 61000-4-5 6KV/2KV 10/700us | |
| | RS: IEC 61000-4-3 80 MHz-1 Ghz: 10 V/m | |
| | EFT: IEC 61000-4-4 4K/2K | |
| | CS: IEC 61000-4-6 10V | |
| | ESD: IEC 61000-4-2 Contact: 8K; Air: 15K | |
| | EMI: FCC Part 15B Class A | |
| | Shock: IEC 60068-2-27 | |
| | Free Fall: IEC 60068-2-32 | |
| | Vibration: IEC 60068-2-6 | |
| Operating Temperature | -40°C~75°C | |
| Storage Temperature | -40°C~85°C | |
| Operating Humidity | 5%~95% (Non-condensation) | |
| LED Indicators | | |
| P (Power indicator) | Off: the device is power off or failed Green On: the device power on is normal | |
| S (System status indicator) | Blinking: device initialization On: device on and normal operation | |
| Copper ports | 1-4 Green indicators Off: ports link down On: ports link up Blinking: data on TX/RX | 1-8 Green indicators Off: ports link down On: ports link up Blinking: data on TX/RX |
| | 1-4 Yellow indicators Off: PoE not working On: PoE working | 1-8 Yellow indicators Off: PoE not working On: PoE working |
| Fiber ports | 5-6 Fiber ports indicators Off: ports link down Green On: ports link up Green Blinking: data on TX/RX | 9-10 Fiber ports indicators Off: ports link down Green On: ports link up Green Blinking: data on TX/RX |
| Dimensions (W*D*H) | 54*115*158mm | 54*115*158mm |
| Net Weight | 1070g | 1100g |
| Installation | Desktop/DIN-rail | |
| Certifications | | |
| Certifications | CE, FCC, RoHS | |

| Software Specification | | |
|----------------------------|--|-------------|
| Model | SP3006FM-L2 | SP3010FM-L2 |
| Port aggregation | Support 1GE port aggregation Support 2.5GE aggregation Support static aggregation Support dynamic aggregation | |
| Port features | Support IEEE802.3x flow control Support port traffic statistics Support port isolation Support network storm suppression based on port bandwidth percentage | |
| VLAN | Support access mode Support trunk mode Support hybrid mode | |
| VLAN Classification | Mac Based VLAN IP Based VLAN Protocol Based VLAN | |
| QinQ | Port-based QinQ VLAN-based QinQ Flow-based QinQ | |
| Port mirroring | Many to one port mirroring | |
| Ring network protocol | Support STP, RSTP, MSTP Support G.8032 ERPS protocol, single ring, sub Ring and associated sub ring Recovery time $\leq 20ms$ | |
| DHCP | Support DHCP Client Support DHCP Snooping | |
| Multicast | IGMP V1, V2, V3 IGMP snooping | |
| ACL | IP Standard ACL MAC extend ACL IP extend ACL | |
| QoS | Support QoS Class, Remarking Support SP, WRR queue scheduling Ingress Port-based Rate-limit Egress Port-based Rate-limit Support Policy-based QoS | |
| Security | Support Dot1x, port authentication, MAC authentication, RADIUS service Support port-security Support IP Source Guard, IP/Port/MAC binding Support ARP-check and ARP packet filtering for illegal users Support port isolation | |
| Management and maintenance | Support LLDP Support user management and login authentication Support SNMPV1/V2C/V3 Support web management, HTTP1.1, HTTPS Support Syslog and alarm grading Support RMON(Remote Monitoring) alarm Support NTP Support temperature monitoring Support Ping, TRACERT Support optical transceiver DDM function Support TFTP Client Support Telnet Server Support SSH Server Support IPv6 Management Support PoE management Support TFTP, web upgrading | |

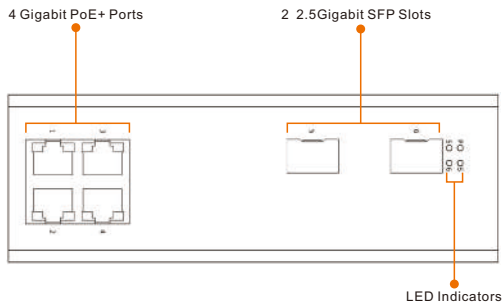
Appearances and Dimensions

SP3006FM-L2

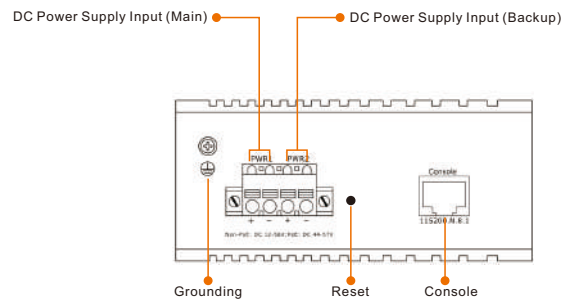
Dimensions (mm)



Front Panel

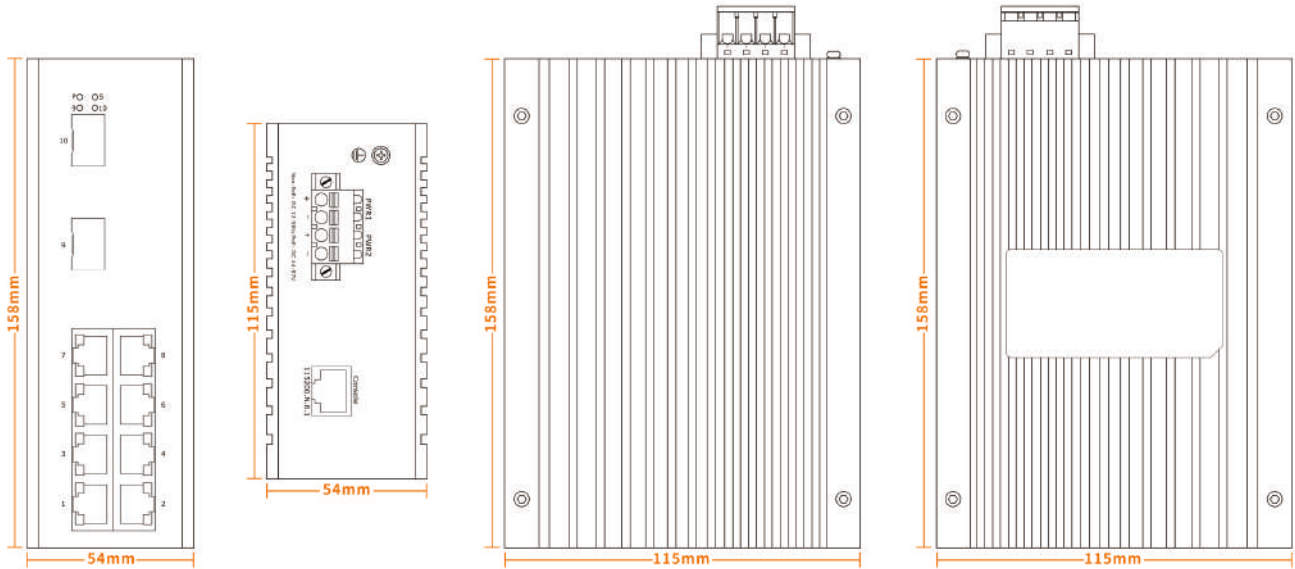


Side Panel

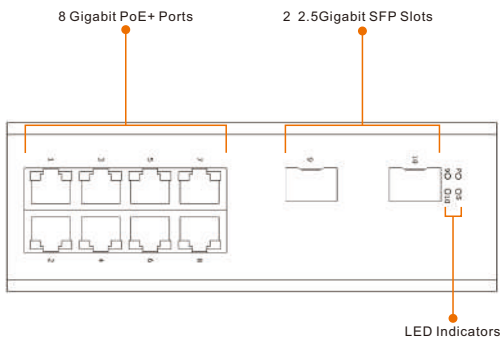


SP3010FM-L2

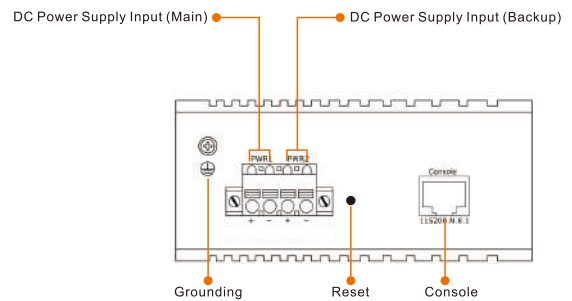
Dimensions (mm)



Front Panel



Side Panel



Package Contents

Welcome to order our products. After purchasing, you will receive:

| Items | Quantity |
|--------------------------|----------|
| Industrial Switch | 1 pcs |
| Quick Installation Guide | 1 pcs |

CE FC RoHS



Wireless-Tek Technology Limited

Address: Room 402 4F, BiaoFan Technology Building, Bao'An Avenue, FuYong Town, Bao'An district, ShenZhen

Website: www.wireless-tek.com

Tel: 86-0755-32811290

Email: sales@wireless-tek.com

Technical Support: tech@wireless-tek.com



Technical Support



Cloud Management



Company Website