

Industrial Easy Smart Managed PoE Switch

SP3006FM | SP3010FM

Overview

Wi-Tek Superic industrial easy smart managed PoE switch provide 4/8 Gigabit Ethernet RJ-45 ports and 2 Gigabit SFP uplink ports. All RJ-45 ports comply with 802.3af/at PoE (PoE+) standard and output up to 30W PoE power per port.

This series switch support easy smart Layer 2 management functions, such as VLAN, port mirroring, STP, RSTP, IGMP, QoS, LLDP, 802.1X, fiber transceiver DDM, PoE management, G.8032 ERPS protocol, IPV6 management, Web, SNMP, Telnet, TFTP, etc.

Professional design providing a flexible, easy to use and reliable industrial network solution. Redundant power design with polarity reverse/over-voltage/over-current protection, guarantee the safe power supply. Solid shell, wide operation temperature from -40°C to 75°C and high-level EMI/EMC capability design, ensure its stable and reliable operation even in harsh environment.

It is the best choice for outdoor CCTV project, wireless coverage project and the project of industrial application scenarios such as factory and transportation.

Key Features

Full Gigabit Interfaces Design

SP3006FM:

4×10/100/1000 Base-T PoE+ ports and 2×1000 Base-X SFP ports

SP3010FM:

8×10/100/1000 Base-T PoE+ ports and 2×1000/ 2500 Base-X SFP ports

-40~75°C Operating Temperature

-40~75°C working temperature design, makes it meet the requirement of harsh

High Level Protection Design

6kV surge immunity for Ethernet ports, 15kV air discharge and 8kV contact

Easy Smart L2 Managed Functions

Support abundant Layer 2 management functions, such as VLAN, port mirroring, STP, RSTP, IGMP, QoS, LLDP, 802.1X, fiber transceiver DDM, PoE management, G.8032 ERPS protocol, can meet the requirement of simple industrial project.

Redundant DC Power Input Design

Support redundant 44-57V DC power input, provide reliable alternative power access solutions.



Specifications

Hardware Specification		
Model	SP3006FM	SP3010FM
Interfaces		
Downlink Ports	4*10/100/1000 Base-T PoE+ RJ-45(Auto-MDI/MDI-X)	8*10/100/1000 Base-T PoE+ RJ-45(Auto-MDI/MDI-X)
Uplink Ports	2*1000 Base-X SFP	2*1000/2500 Base-X SFP
Management port	1*RJ45 Console	
PoE		
PoE Standard	IEEE 802.3af/at (PSE)	
PoE Power Supply Type	End-span	
PoE Pin Assignment	1/2(+), 3/6(-)	
PoE Power Output	46~55V DC	
PoE Power	30W max for each port, 120W max	30W max for each port, 240W max
Switch Property		
Standards	IEEE 802.3 10Base-T IEEE 802.3u 100Base-TX IEEE 802.3ab 1000Base-T IEEE 802.3z 1000Base-X IEEE 802.3x flow control and back pressure IEEE 802.1D spanning tree protocol IEEE 802.1w rapid spanning tree protocol IEEE 802.1Q VLAN tagging ITU-T G.8032 ERPS IEEE 802.1X port authentication network control IEEE 802.1ab LLDP IEEE 802.3ad LACP IEEE802.3af Power Over Ethernet IEEE802.3at Power Over Ethernet plus PSE	
Forwarding Modes	Store and Forward	
Packet Buffer	2Mbit	
MAC Table	16k	
Switching Capacity	12Gbps	20Gbps
Packet Forwarding Rate	8.9Mpps	14.9Mpps
Jumbo Frame	10kB	
Power Supply		
Input Voltage	Power 1 (Main): 44~57V DC, Power 2 (Backup): 44~57V DC	
Power Consumption	Full loading without PoE ≤ 6W PoE power budget ≤ 120W	Full loading without PoE ≤ 10W PoE power budget ≤ 240W
Connector	Removable 4-pin terminal block	
Reverse polarity protection	Support	
Over-voltage protection	Support	
Over-current protection	Support	

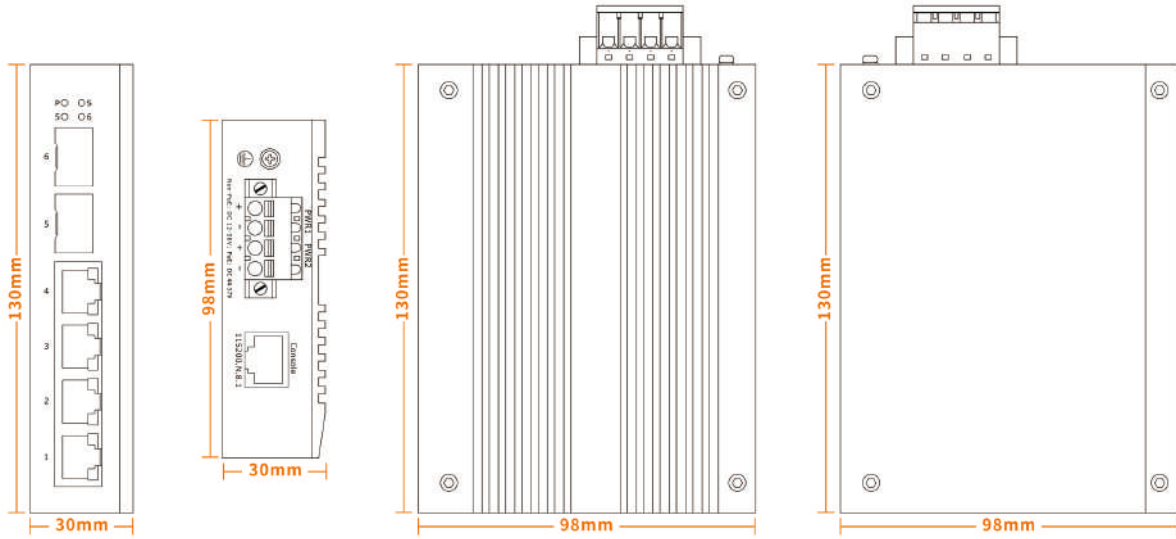
Environmental Reliability		
Industrial Standard	Surge protection of power: IEC 61000-4-5 Level 3 (4KV/2KV)(8/20us)	
	Surge protection of Ethernet ports: IEC 61000-4-5 6KV/2KV (10/700us)	
	DIP: IEC 61000-4-11 Level 3 (10V)	
	ESD: IEC 61000-4-2 Level 4 (8K/15K)	
	Shock: IEC 60068-2-27	
	Free fall: IEC 60068-2-32	
	Vibration: IEC 60068-2-6	
Operating Temperature	-40°C~75°C	
Storage Temperature	-40°C~85°C	
Operating Humidity	5%~95% (Non-condensation)	
LED Indicators		
P (Power indicator)	Off: the device is power off or failed Green On: the device power on is normal	
S (System status indicator)	Blinking: device initialization On: device on and normal operation	
Copper ports	1-4 Green indicators Off: ports link down On: ports link up Blinking: data on TX/RX	1-8 Green indicators Off: ports link down On: ports link up Blinking: data on TX/RX
	1-4 Yellow indicators Off: PoE not working On: PoE working	1-8 Yellow indicators Off: PoE not working On: PoE working
Fiber ports	5-6 Fiber ports indicators Off: ports link down Green On: ports link up Green Blinking: data on TX/RX	9-10 Fiber ports indicators Off: ports link down Green On: ports link up Green Blinking: data on TX/RX
Dimensions (W*D*H)	30*98*130mm	48*98*130mm
Net Weight	560g	650g
Installation	Desktop/DIN-rail	
Certifications		
Certifications	CE, FCC, RoHS	

Software Specification		
Model	SP3006FM	SP3010FM
Port aggregation	Support 1GE port aggregation Support 2.5GE aggregation Support static aggregation Support dynamic aggregation	
Port features	Support IEEE802.3x flow control Support port traffic statistics Support port isolation Support network storm suppression based on port bandwidth percentage	
VLAN	Support access mode Support trunk mode Support hybrid mode	
VLAN Classification	Mac Based VLAN IP Based VLAN Protocol Based VLAN	
QinQ	Port-based QinQ VLAN-based QinQ Flow-based QinQ	
Port mirroring	Many to one port mirroring	
Ring network protocol	Support STP, RSTP, MSTP Support G.8032 ERPS protocol, single ring, sub Ring and associated sub ring Recovery time $\leq 20ms$	
DHCP	Support DHCP Client Support DHCP Snooping	
Multicast	IGMP V1, V2, V3 IGMP snooping	
ACL	IP Standard ACL MAC extend ACL IP extend ACL	
QoS	Support QoS Class, Remarking Support SP, WRR queue scheduling Ingress Port-based Rate-limit Egress Port-based Rate-limit Support Policy-based QoS	
Security	Support Dot1x, port authentication, MAC authentication, RADIUS service Support port-security Support IP Source Guard, IP/Port/MAC binding Support ARP-check and ARP packet filtering for illegal users Support port isolation	
Management and maintenance	Support LLDP Support user management and login authentication Support SNMPV1/V2C/V3 Support web management, HTTP1.1, HTTPS Support Syslog and alarm grading Support RMON(Remote Monitoring) alarm Support NTP Support temperature monitoring Support Ping, TRACERT Support optical transceiver DDM function Support TFTP Client Support Telnet Server Support SSH Server Support IPv6 Management Support PoE management Support TFTP, web upgrading	

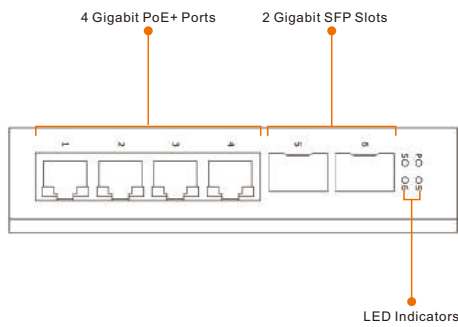
Appearances and Dimensions

SP3006FM

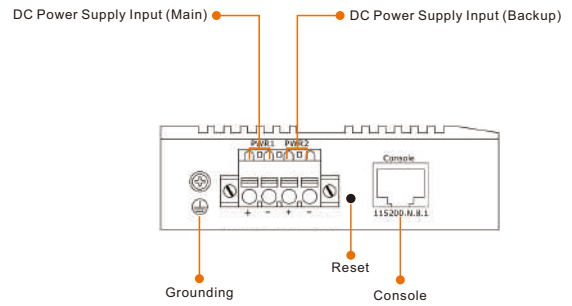
Dimensions (mm)



Front Panel

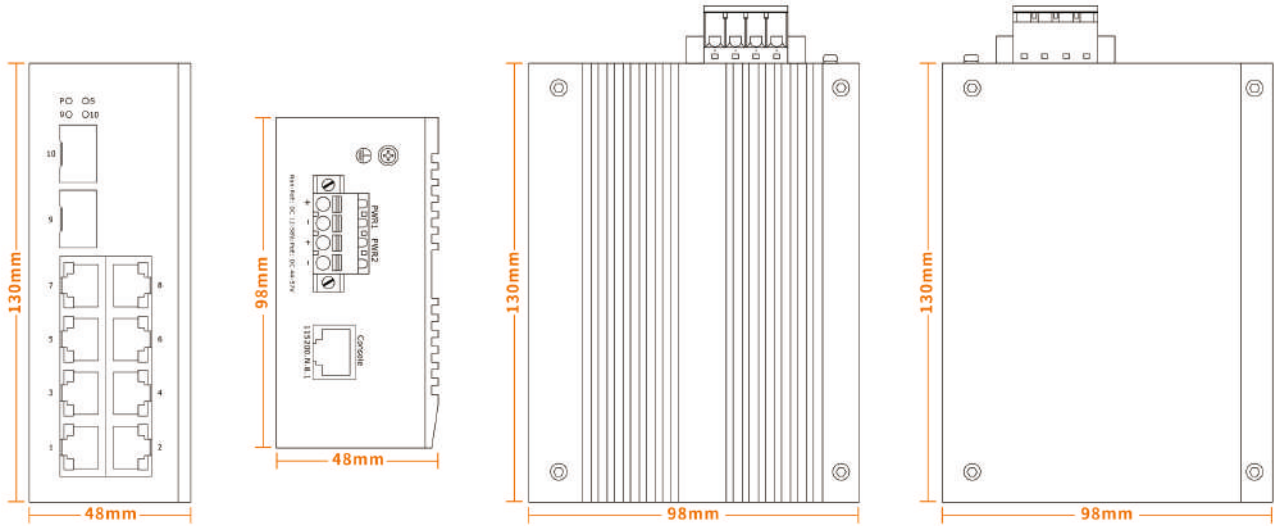


Side Panel

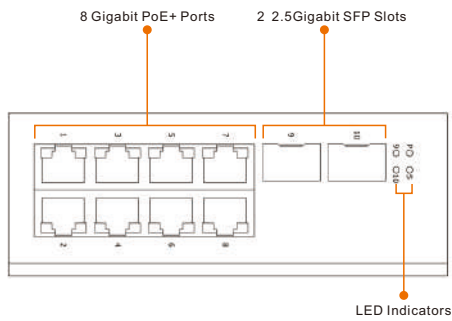


SP3010FM

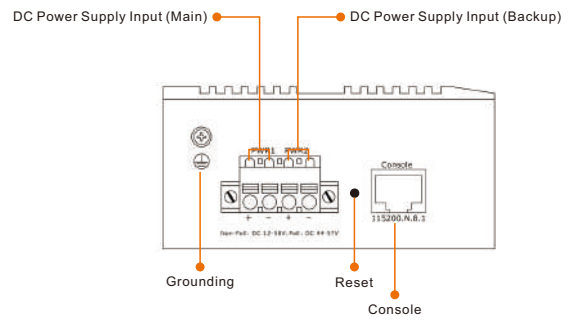
Dimensions (mm)



Front Panel



Side Panel



Package Contents

Welcome to order our products. After purchasing, you will receive:

Items	Quantity
Industrial Switch	1 pcs
Quick Installation Guide	1 pcs

CE FC RoHS



Wireless-Tek Technology Limited

Address: Room 402 4F, BiaoFan Technology Building, Bao'An Avenue, FuYong Town, Bao'An district, ShenZhen

Website: www.wireless-tek.com

Tel: 86-0755-32811290

Email: sales@wireless-tek.com

Technical Support: tech@wireless-tek.com



Technical Support



Cloud Management



Company Website