

A422

4MP Deep Learning AI 5x Zoom Bullet with IR LED 85m, WDR 150dB



- 4 Megapixel, 5x Zoom Bullet
- Weatherproof (IP68), Vandal proof metal casing (IK10), UL Listed
- Taiwan IoT Cybersecurity Certification
- Super wide angle
- Event trigger, response and notification

► Specifications

Product Profile

Product Type	Zoom Bullet
Application Environment	Outdoor
Maximum Resolution	4MP
Image Sensor	Progressive Scan CMOS
Sensor Size	1/2.7 "
Effective Pixels	2688(H) X 1520(V) (4 MP)
Day / Night	Yes
Low Light Sensitivity	Extreme
Minimum Illumination	Color: 0.003 lux; B/W: 0 lux (IR LED on)
Mechanical IR Cut Filter	Yes
IR LED	IR LED x 3 (850 nm)
IR Working Distance	85m
Electronic Shutter	1/5-1/100000 second (auto mode)
S/N Ratio	75 dB

Lens

Focal Length	Zoom, f2.7-13.5mm
Aperture	F1.6
Zoom Ratio	5x optical zoom
Iris	Fixed iris
Focus	Auto focus
Lens Mount	Board mount
Horizontal Viewing Angle	102.8° - 32.4°
Vertical Viewing Angle	54.9° - 18.9°
Viewing Angle Adjustment	Pan: 0°-360°, Tilt: 0°-90°, Rotation: 0°-360°

Video

Compression	H.265 Adaptive Stream (equivalent to Zip or Smart Stream or H.265+), H.264 Adaptive Stream (equivalent to Zip or Smart Stream or H.264+), MJPEG
Maximum Frame Rate vs. Resolution	30 fps at 2688 x 1520 30 fps at 2560 x 1440 30 fps at 1920 x 1080 30 fps at 1280 x 960 30 fps at 1280 x 720 30 fps at 640 x 480
Bit Rate Mode	Constant, Variable
Multi-Streaming	Simultaneous quad streams
Digital Noise Reduction	2D + 3D DNR
Wide Dynamic Range	Extreme WDR (150 dB)
Image Orientation	Flip, Mirror, Rotation (Corridor mode) (90°, 180°, 270°)
Image Enhancement	White Balance, Brightness, Contrast, Sharpness, Saturation, Backlight compensation (BLC), Strong Light Suppression, Automatic exposure, Automatic gain control (AGC)
Privacy Mask	4 configurable regions
Text Overlay	Yes
On-Screen Graphics (Picture Overlay)	Yes
Built-in Analytics	Deep Learning : Face Detection, People Detection, Vehicle Detection, Tampering Detection, Object Based Motion Detection, Object Line Crossing Detection, Object Enter Area Detection, People Line Crossing Detection, People Enter Area Detection, Vehicle Line Crossing Detection, Vehicle Enter Area Detection

Analytics

Deep Learning AI	1.0
------------------	-----

Audio

Audio Type	2-way, Line-in, Line-out
Audio Compression	PCM, G.711, AAC, G.726(*3)

Network

Network Protocol & Service	IPv4, IPv6, TCP, UDP, DHCP, PPPoE, HTTP, HTTPS, DNS, DDNS, NTP, RTP, RTSP, RTCP, SMTP, FTP, SFTP, IGMP, ICMP, ARP, UPnP, QoS, SNMP, IEEE 802.1X
Ethernet Port	1 x Ethernet (10/100 Base-T), RJ-45 pigtail connector

Security	IP address filtering, HTTPS encryption, Password protected user level, Anonymous login, IEEE 802.1X network access control, Standard IoT Security (anti-hacking, anti-malware)
----------	--

Event

Event Trigger	Video motion detection (4 polygonal regions with up to 10 vertices), External device through digital input, Intelligent event detection, Sound detection, Video streams loss, System log buffer overrun, Remove system log, Logon events (Login Failure, Login Success, Block an Account)
Event Response	Notify control center, Change camera settings, Command other devices, E-mail notification with snapshots, Play the audio file, Push notification to mobile device, Save video to storage, Upload video to NVR server, Upload video or snapshot to FTP server, Activate external device through digital output

System

System Monitor	CPU loading, memory usage and network statistics via API
System Log	Support
Watchdog	Support

Integration

Unified Solution	Fully compatible with ACTi software
GPS Position	Manual setting
Edge Recording	Support (integration with NVR by ONVIF Profile G or proprietary protocol)**
ONVIF Compliant	Yes, Profile S, Profile G, Profile T, Profile M
Web Browser	IE 11, Google Chrome*, Microsoft Edge*, Apple Safari*
Auto Firmware Upgrade	Yes

Interface

Audio Interface	Cable with Terminal block
Digital Input/Output	1/1 (Cable with Terminal block)
Operating Button	Reset Button

General

Power Source	DC 12V, PoE Class 3 (IEEE802.3af)
Power Consumption	15 W (PoE)
Weight	1410g (3.11lb)
Dimensions	(L x W x H): 297.1mm x 96.2mm x 91.5mm (11.7" x 3.8" x 3.6")
Environmental Casing	Weatherproof (IP68), Vandal proof metal casing (IK10)
Corrosion Protection	Optional for project request. Chassis corrosion resistance at the seashore approximately 2-3 years.
Mount Type	Surface, Pole Mount, Corner Mount
Operating Temperature	-40°C ~ 60°C (-40°F ~ 140°F)
Operating Humidity	≤95% RH, non-condensing
Approvals	CE Class B, FCC Class B, IP68, IK10 (metal casing), UL Listed, Taiwan IoT Cybersecurity Certification Level 1 (TAICS)
Color	White

Real-time Clock (RTC)	Yes
Warranty	3 Year(s). For extended warranty offering, see http://www.acti.com/support/warranty

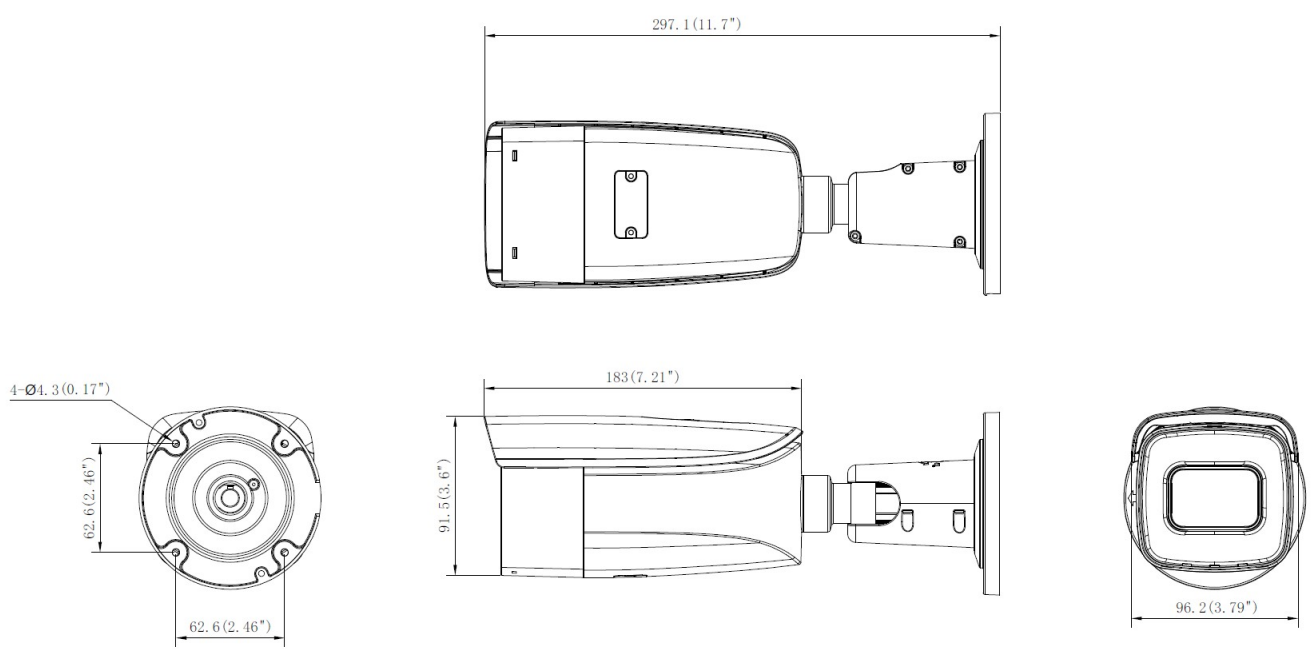
* cross-browser compatibility: Not available for H.265 video decoding 2 Edge Recording function is integrated with NVR 3 Corporate / NVR 3 Business / INR / GNR series. 3 To be available through future firmware upgrade

► Photo Indication



- 1 Ethernet Port
- 2 Digital Input / Output
- 3 Audio Input / Output
- 4 DC 12V Power Input
- 5 Reset Button
- 6 Memory Card Slot

► Dimension Diagram



Unit: mm (inch)

Unit: mm [inch]


▶ Related Products

Mounting Accessories - Camera Mount


PMAX-0407		Corner mount for A416, A418, B419-P2.
PMAX-0524		Pole Mount (for A46, A421, A422, A423, A425, VMGB-359), supports 2.64" to 5" Poles
PMAX-0721		Junction Box (for A422, A423)

Note: Some mounting accessories may need additional accessories for installation. Please check www.acti.com/mountingselector for more information.


Power Supply Accessories - Power Adapter

PPBX-0013		Power Adapter AC 100~240V (EU), for A3x, A4x, A88, A9x, Z31, Z8x, Z9x
PPBX-0014		Power Adapter AC 100~240V (UK), for A3x, A4x, A88, A9x, Z31, Z8x, Z9x
PPBX-0023		Power Adapter 12V /2A(US) with DC PLUG for A416, A418

Power Supply Accessories - PoE Injector

PPOE-0107		High PoE Injector IEEE 802.3at compliant, AC 100~240V, with universal connectors (for A416, A418, B913, B923, B934, Q450, Q75, VMGB-60X, Z37, Z71, Z952)
-----------	---	--

Audio Devices - Microphone

PMIC-0100		Active Microphone Omnidirectional for all Cameras with Line-in Audio
-----------	---	--