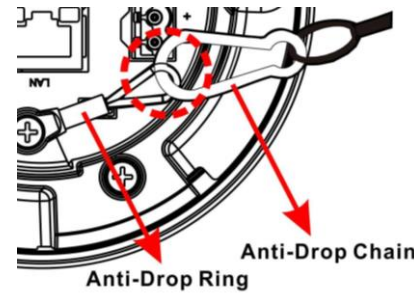


A951 Outdoor Speed Dome Camera Quick Installation Guide

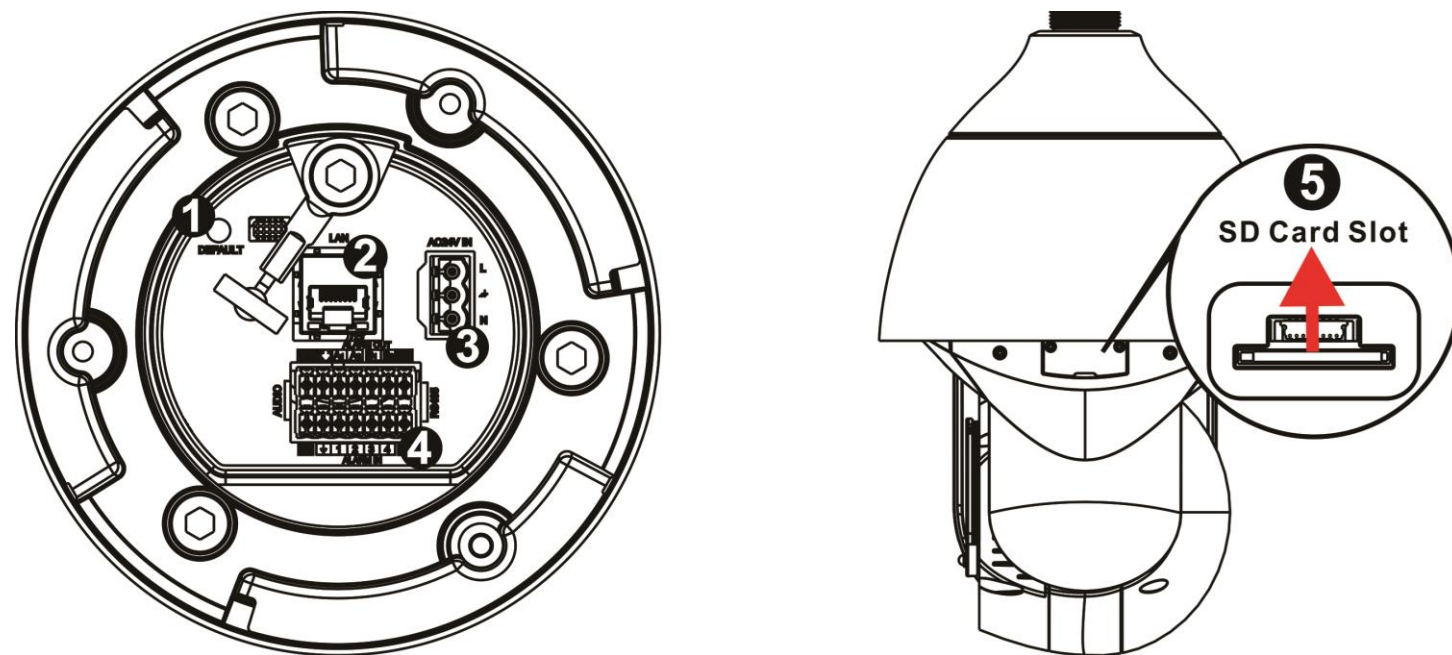
This guide is for quick installing and connecting A951 Outdoor Speed Dome Camera. For more details, please refer to the Hardware Manual.

Installation Notices

- This camera must be installed by qualified personnel and the installation should conform to all local codes.
- Do not replace batteries of the camera. Risk of explosion may occur if the battery is replaced by an incorrect type.
- To use an external power supply, please contact the camera manufacturer to confirm that the power supply complies with the LPS requirements and shares the same power specifications with the camera.
- For safety concern, please hook up the camera with the anti-drop chain of the pendant when installing the camera. For more information about mounting accessories, please contact Sales.



Camera's Connectors



No.	Connector	Definition	Remarks
1	Reset Button	Press the button with a proper tool for at least 20 seconds to restore the system.	
2	RJ-45 Port	For network and UPoE connections	#Please contact the manufacturer for compatible PoE injector.
3	Power (AC24V)	AC24V power connection	
4	Audio/Alarm I/O & RS-485 Connector*	Audio/Alarm I/O & RS-485 connection	# Do NOT connect external power supply to the alarm I/O connector of the camera.
5	Memory Card Slot	Insert the memory card into the card slot to store videos and snapshots. Do not remove the memory card when the camera is powered on.	

NOTE: It is not recommended to record with the memory card for 24/7 continuously, as it may not be able to support long term continuous data read/write. Please contact the manufacturer of the memory card for information regarding the reliability and the life expectancy.

Power Connection

To power up the camera, connect the AC24V power adaptor to the power connector of the camera and the power outlet. Refer to the diagram and pin definition below.

Pin	Definition
1	AC24V L
2	GND
3	AC24V N

Alternatively, users can use an Ethernet cable and connect it to the RJ-45 port of the camera and a UPoE 60W switch.

Ethernet Cable Connection

Connect one end of the Ethernet cable to the RJ-45 connector of the camera, and plug the other end of the cable to the network switch or PC.

NOTE: In some cases, Ethernet crossover cable might be needed when connecting the camera directly to the PC.

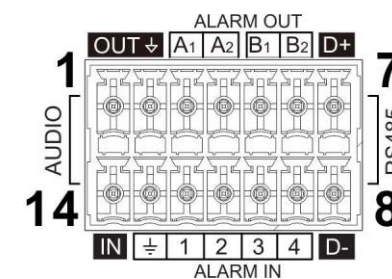
NOTE: Check the status of the link indicator and activity indicator LEDs. If the LEDs are unlit, please check the LAN connection.

Green Link Light indicates good network connection.
Orange Activity Light flashes for network activity indication.

NOTE: The ITE is to be connected only to PoE networks without routing to the outside plant or equivalent description.

Audio/Alarm I/O & RS-485 Connection

Please refer to the diagram and pin definition tables below for audio/alarm I/O & RS-485 connection.




Pin	Definition	Pin	Definition	Pin	Definition	Pin	Definition
1	Audio Out	5	Alarm Out B1	9	Alarm In 4	13	GND (Alarm I/O and RS-485)
2	GND (Audio I/O)	6	Alarm Out B2	10	Alarm In 3	14	Audio In
3	Alarm Out A1	7	RS-485 D+ (Optional)	11	Alarm In 2		
4	Alarm Out A2	8	RS-485 D- (Optional)	12	Alarm In 1		

Before Login to the Camera

A client program will be automatically installed to the PC when connecting to the camera. Before logging in to the camera, please ensure downloading the ActiveX control is allowed by either changing the ActiveX controls and plug-ins or setting Internet's security level to default. For further details, please refer to the Hardware Manual.

ActiveX Controls and Plug-ins Settings	Internet Security Level
Step 1: Start the Internet Explorer (IE). Step 2: Select <Tools> from the main menu of the browser. Then click on <Internet Options>. Step 3: Click on the <Security> tab and select <Internet>, and click on <Custom level> to change ActiveX settings. Step 4: Set "ActiveX controls and plug-ins" items to <Prompt> or <Enable>.	Step 1: Start the IE Internet Explorer (IE). Step 2: Select <Tools> from the main menu of the browser. Then click on <Internet Options>. Step 3: Click on the <Security> tab and select <Internet>. Step 4: Down the page, click on <Default Level> and <OK> to confirm the setting. Close the browser window, and open a new one later for accessing the IP camera.

 **NOTE:** It is strongly recommended using Microsoft Internet Explorer 10.0 or later version to connect the camera.

Camera Login

The default IP address of the camera is: **192.168.0.100**. Therefore, to access the camera for the first time, please set the IP address of the PC as: 192.168.0.XXX; for example:

IP Address: 192.168.0.99

Subnet Mask: 255.255.255.0

Login ID & Password

- Type in corresponding camera IP address into the URL field on the web browser and hit "Enter".
- For initial login, you need to setup the username and password. Follow the on-screen instructions to do so. This account and password will be used for succeeding login. Note that username is case sensitive.

Install the ActiveX Control

- After connecting to the camera, the request for installing the ActiveX control will appear just below the URL bar.
- Right click on the information bar and click on <Install ActiveX Control...> to permit ActiveX control installation.
- In the pop-up security warning window, click on <Install> to start downloading the software on the PC.
- Click on <Finish> after installation is completed.

Browser-based Viewer

The main page of the IP camera user interface is as shown below.



A951

Outdoor Speed Dome Camera Quick Installation Guide