

# AVA **MICSPKSRN**

---

**ALARM DEVICE** MANUAL

# Table of Contents

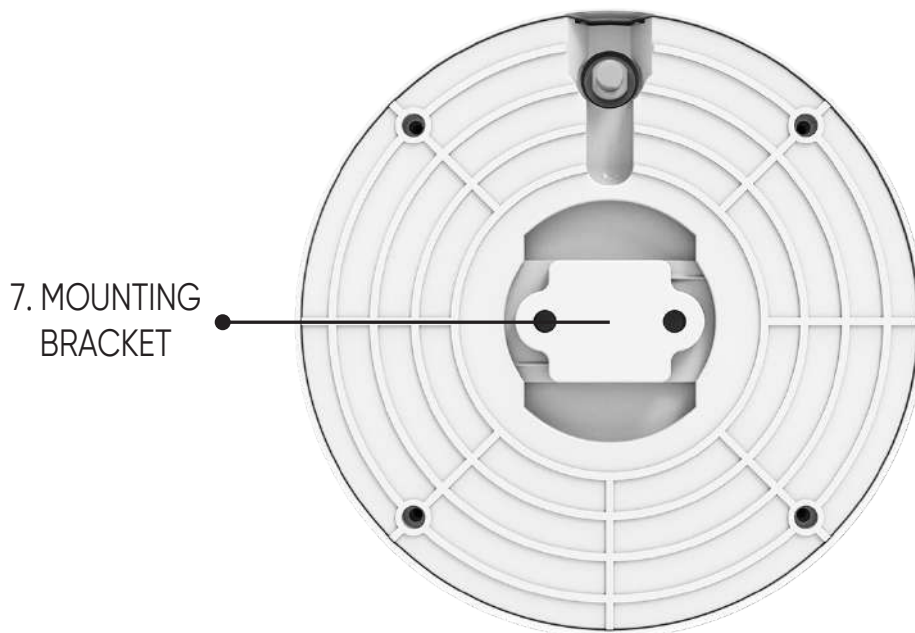
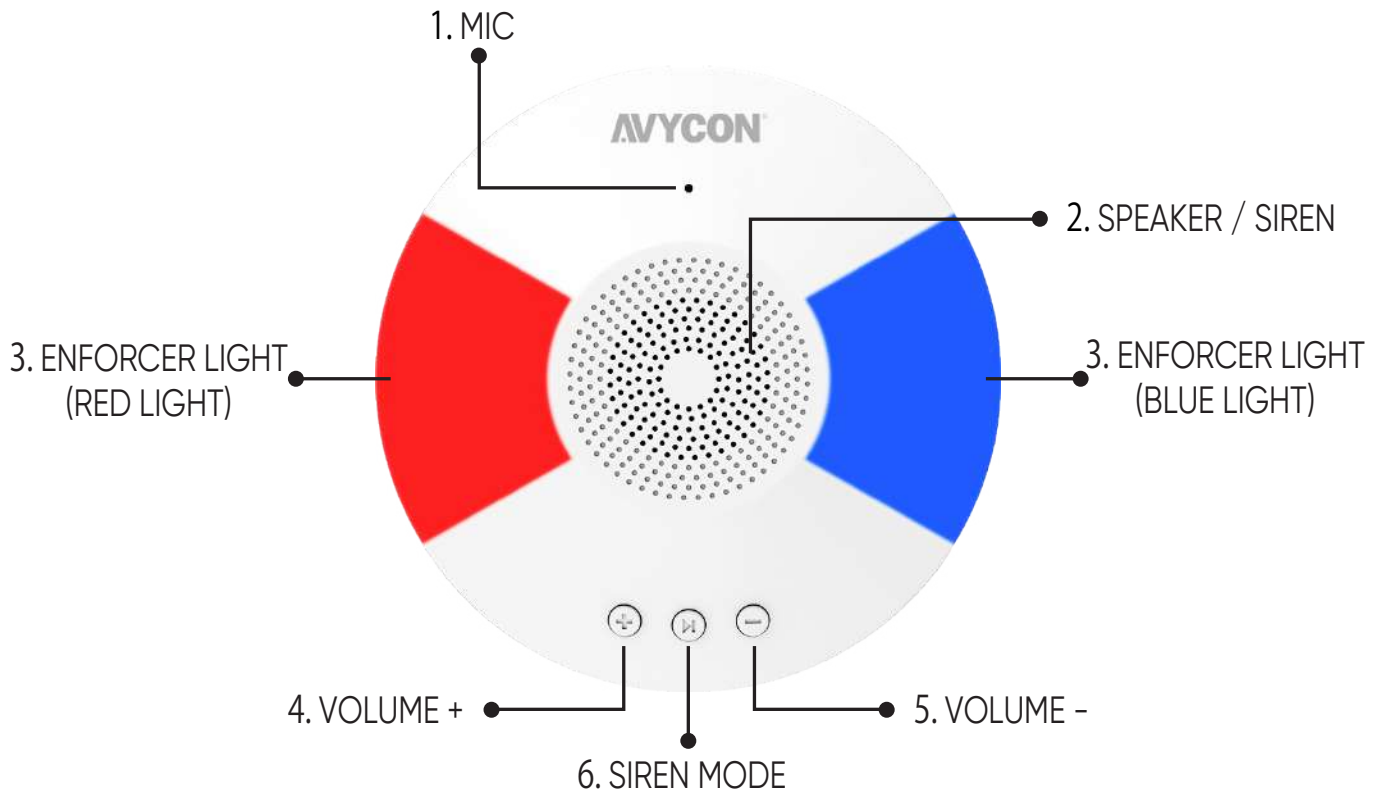
- Audible and Visual Alarm Device ..... 1**
- 1 Interface ..... 2
- 2 Instruction of Cables ..... 3
- 3 Picture of the Alarm and IPC ..... 4
- 4 Alarm Spec ..... 6

# Audible and Visual Alarm Device

This alarm device is designed to provide both an audible and visual alarm which can be alert, warn, or draw attention to any IP camera alarm.

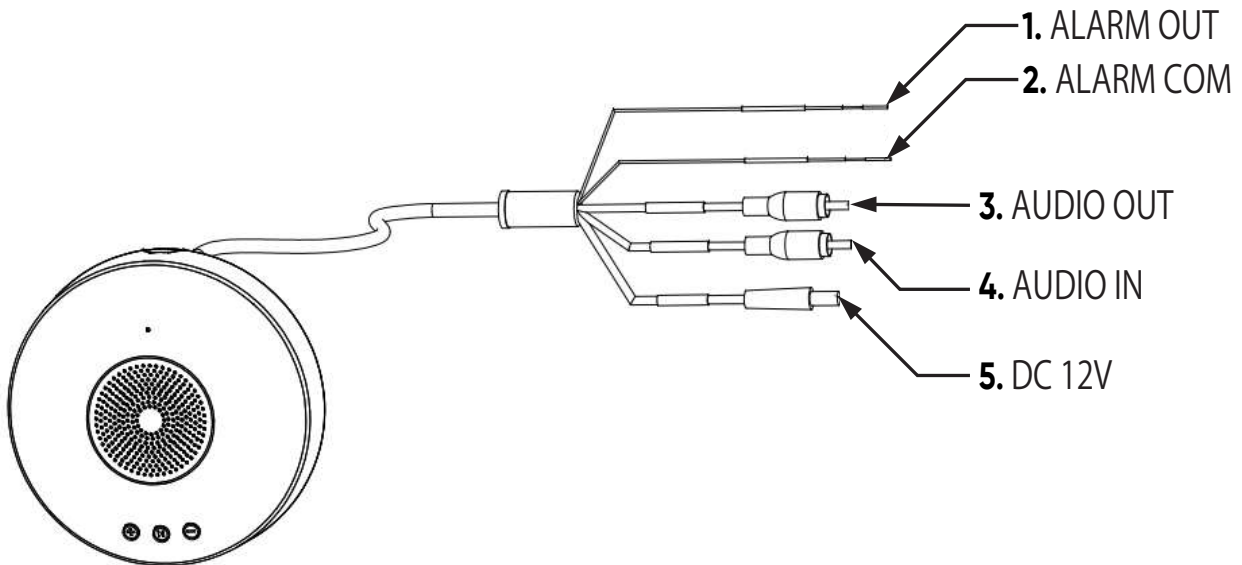


## 1. Interface



1. Microphone
2. Speaker
3. Alarm Light
4. Increase the volume of the alarm sound (4th gear volume adjustment).
5. Reduce the volume of the alarm sound (4th gear volume adjustment).
6. Long press for 3 seconds to switch the type of alarm sound.  
(Three types: 1. Normal interval alarm sound; 2. Dog barking; 3. Police car alarm)
7. Mounting Bracket

## 2. Instruction of Cables



- 1. ALARM OUT:** Connect to the ALARM OUT interface of IPS
- 2. ALARM COM:** Connect to the ALARM COM interface of IPC
- 3. AUDIO OUT:** Audio output (Speaker)
- 4. AUDIO INPUT:** Audio input port (with Microphone)
- 5. DC 12V:** Power input port

### 3. Picture of the Alarm and IPC



**1.** Connect the ALARM cable (ALARM COM and ALARM OUT) and turn on an ALARM type in the ALARM type of IPC interface. When this type of ALARM is triggered, the ALARM sound of the external ALARM will sound and the ALARM light (red and blue light) will flash on.

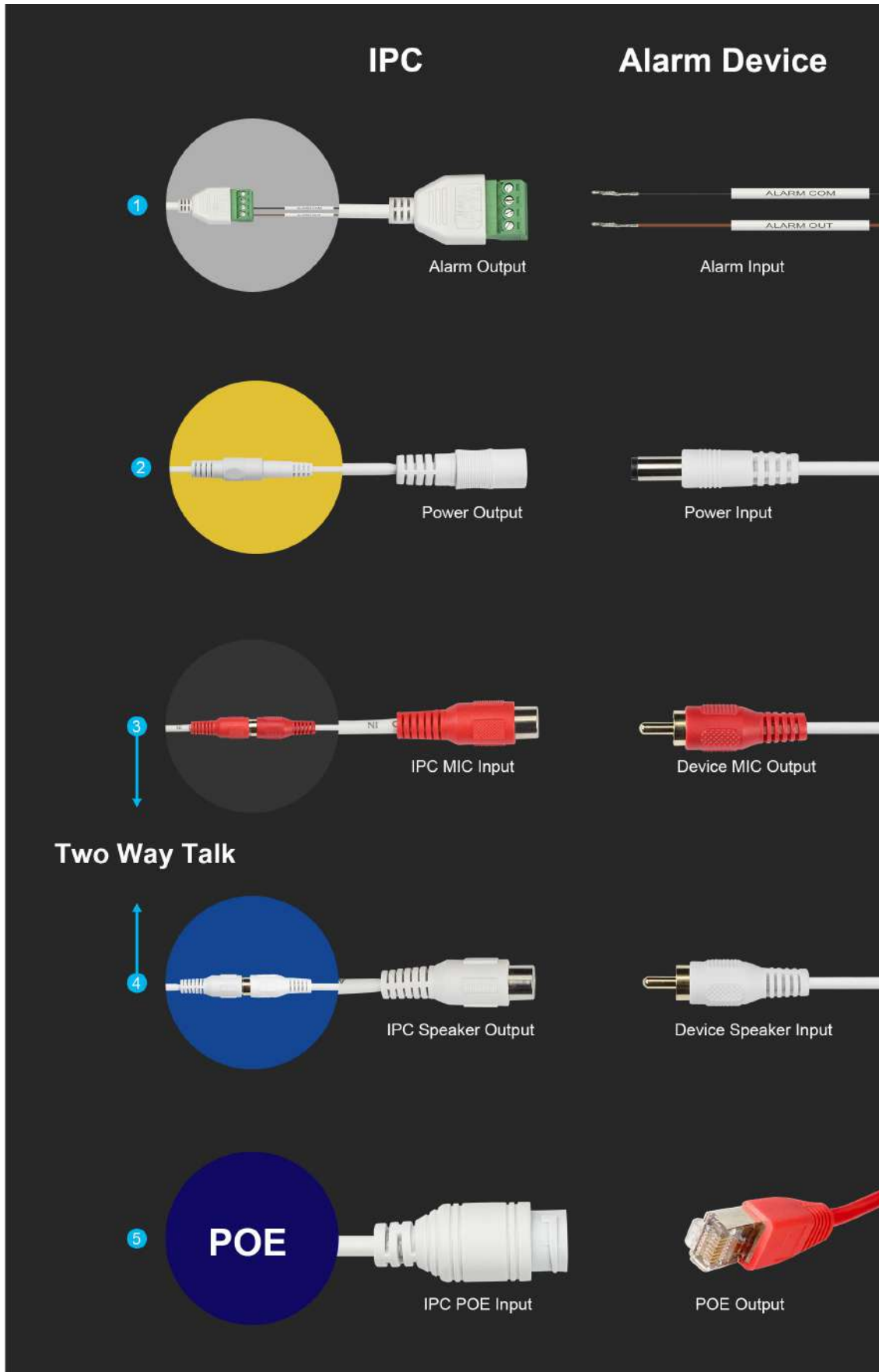
**2.** After the audio output is connected, the voice received by IPC (for example, if the PC is connected to the microphone and the intercom is opened on the Web of IPC) will be output from the speaker of the external alarm; If IPC supports audio playback, the speaker can also accurately broadcast the corresponding sound.

**3.** If the audio input is connected, the sound received by the MIC of the external alarm will be output from IPC (for example, if the HEADSET is connected to the PC, the audio is enabled on the Web end of IPC).

Note: audio input and output at the same time can be two-way intercom.

**4.** IPC powers alarm

**5.** IPC charged through POE



## 4. Alarm Spec

### Product Specification

Audio Input	1 Channel
Audio Output	1 Channel
Alarm Out	1 Channel
Alarm COM	1 Channel
Siren Mode	Support 3 Different Sounds
MicroPhone	Support 10 Meters
Siren	88 dB
Enforcer Light	30 Lumen
Waterproof	IP66
Power	DC12V, 2.5W

**AVYCON**<sup>®</sup>



**AVYCON**<sup>®</sup>

Copyright © AVYCON. All rights reserved. Specifications and pricing are subject to change without notice.

**phone:** 949-752-7606  
**email:** [info@avycon.com](mailto:info@avycon.com)  
**social:** [@avycon\\_aivo](#)  
**website:** [avycon.com](http://avycon.com)