

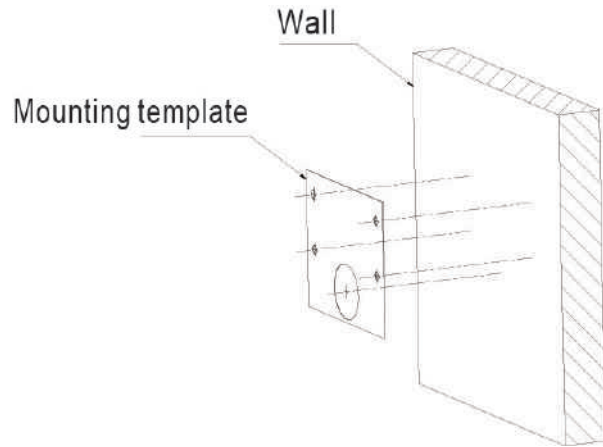
# AVC **NSZ81X04SPL**

## **QUICK START GUIDE**

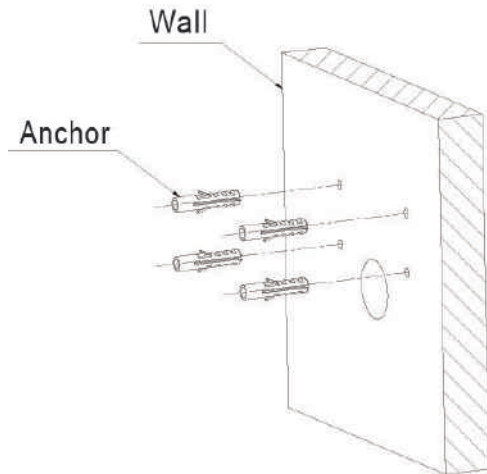
CAMERA INSTALLATION

## 1. Installation

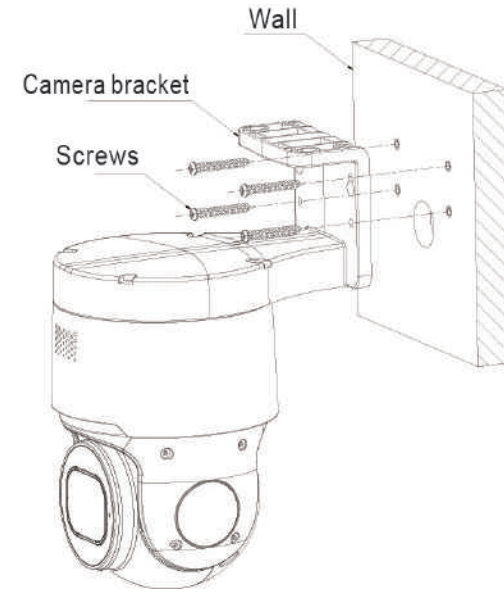
### Wall Mount



**Step 1:** Stick the mounting template to the wall, drill 4 screw holes and 1 tail cable hole.

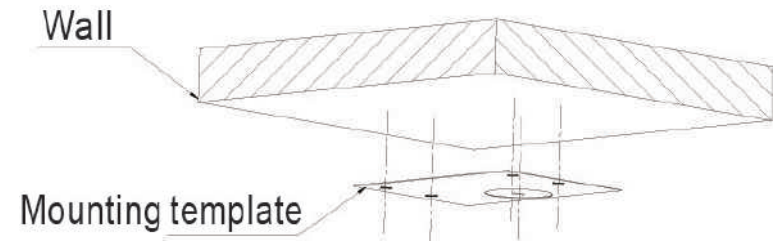


**Step 2:** Hammer the 4 anchor into the drilled wall holes.

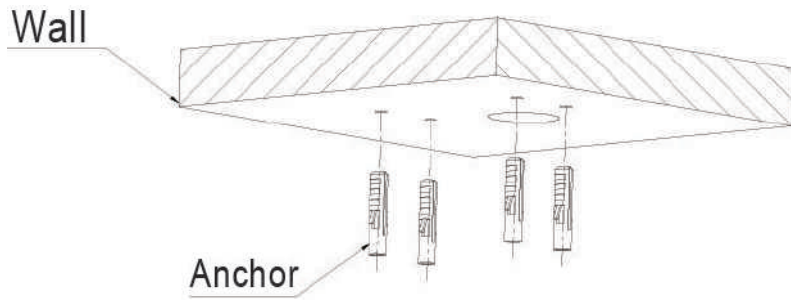


**Step 3:** Align the camera bracket with the 4 swelling colloidal particles screw holes, and lock the screws to fix it.

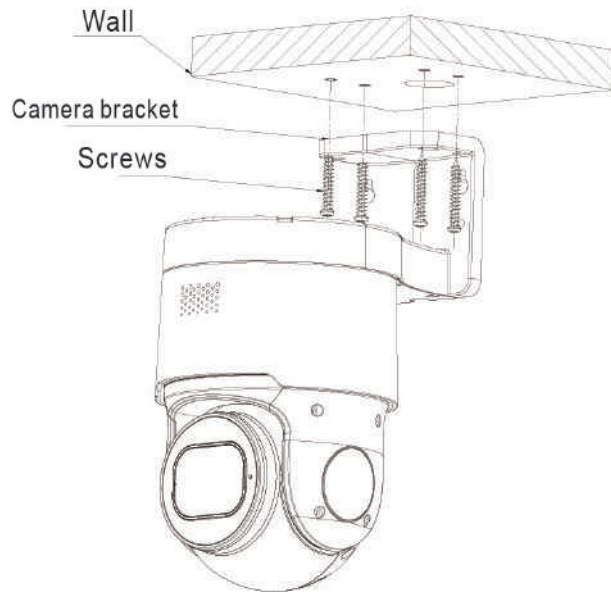
### Ceiling Mount



**Step 1:** Stick the mounting template to the wall, drill 4 screw holes and 1 tail cable hole.

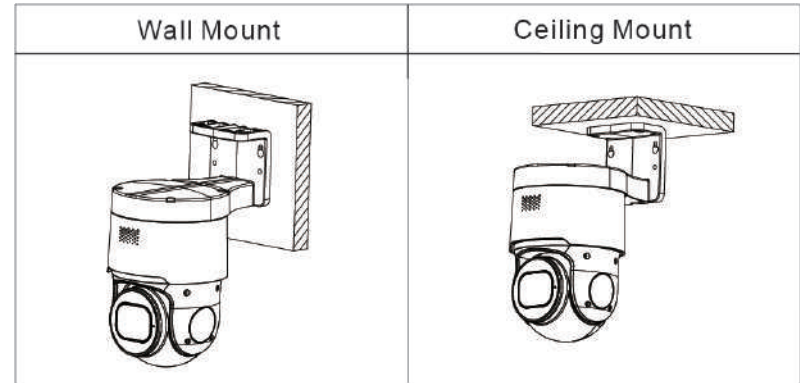


**Step 2:** Hammer the 4 anchor into the drilled wall holes.

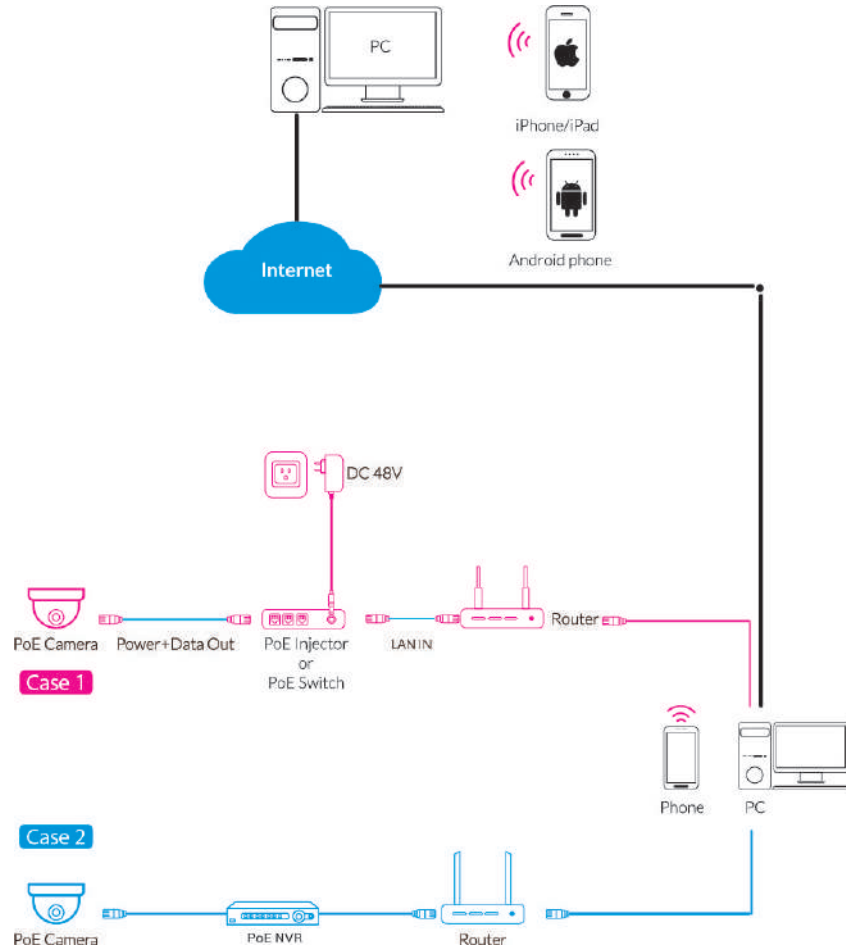


**Step 3:** Align the camera bracket with the 4 swelling colloidal particles screw holes, and lock the screws to fix it.

### Installation Method



## 2. Camera Connection Diagram



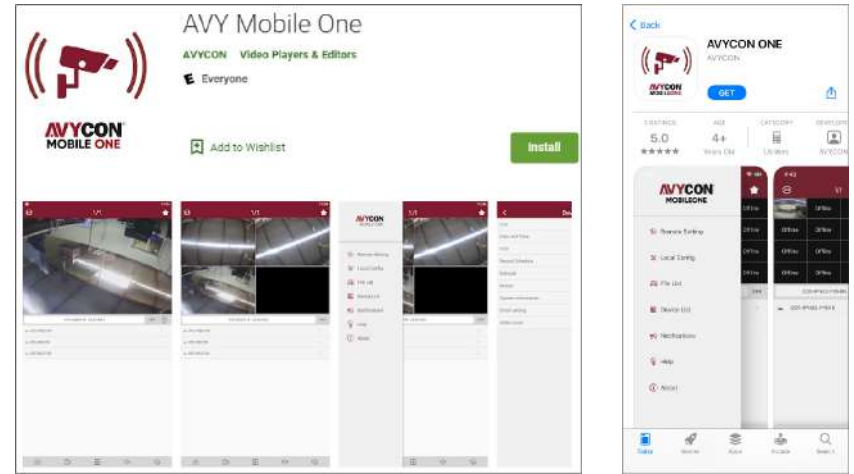
**Attention:** There are two connection modes:

1. For non-PoE router, pls connect the camera by a PoE switch or a PoE injector.
2. For a POE NVR, pls connect the camera directly to the POE NVR, then follow the below steps.

## 3. Install the App

There are two methods to install the App.

- Search for "AVY Mobile One" in App Store or Google Play.

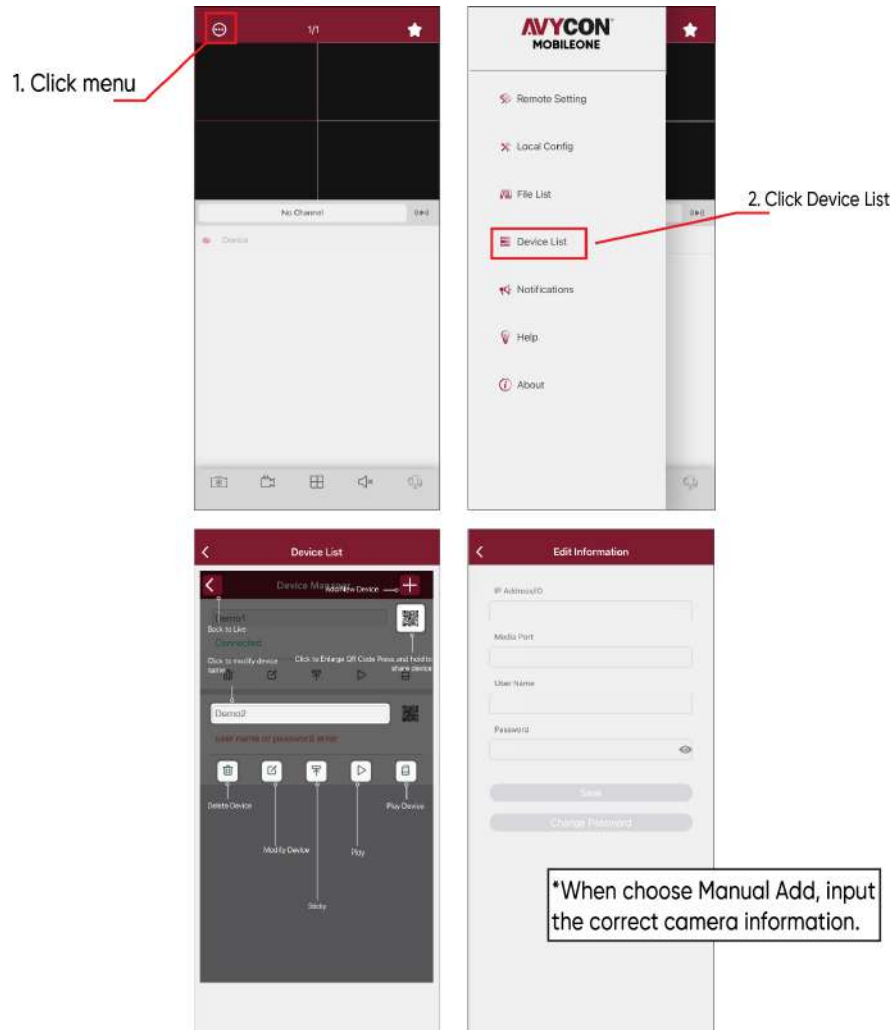


- Scan the QR code below to download the App.

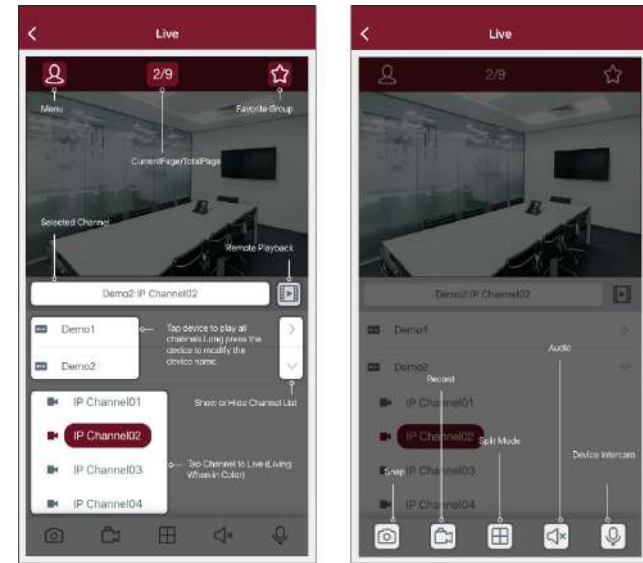


## 4. Camera Settings

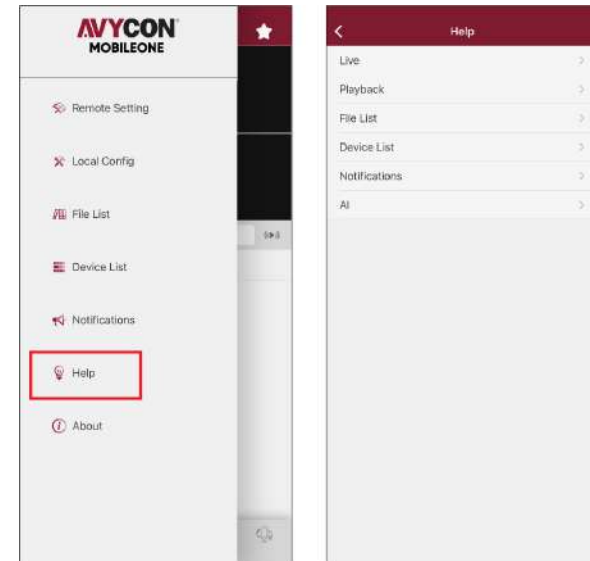
Open "AVY Mobile One", you will see the following interface to add the cameras.



If add the device successfully, you will see the following interface.

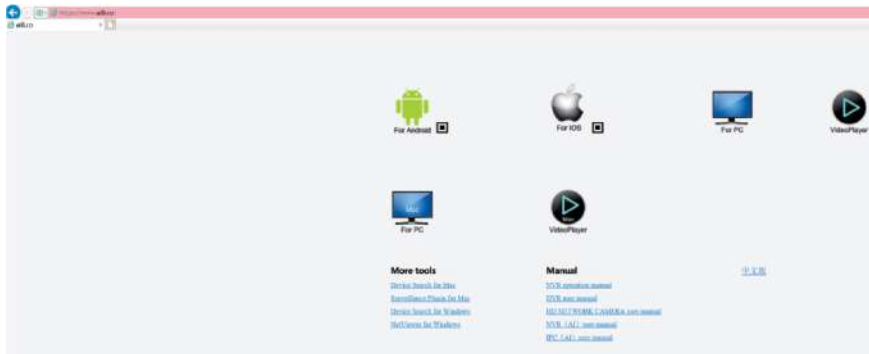


Please refer to "Help" section for more detailed instruction.



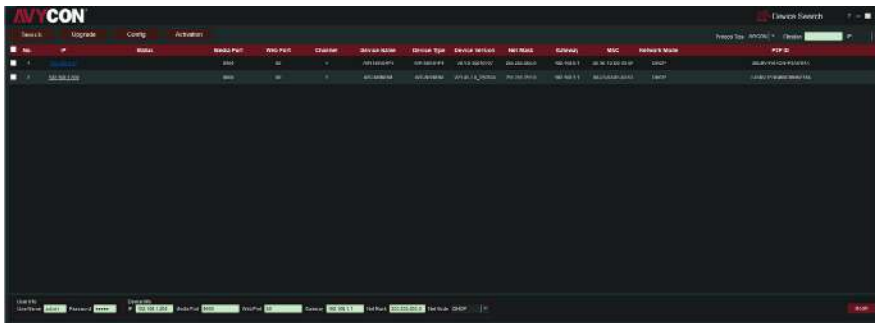
## 5. In Windows

1. Log in to the website [www.a18.co](http://www.a18.co) and click “Device Search for Windows” to download “AVYCON Device Tool”, it will help to search all the available devices on your local network.

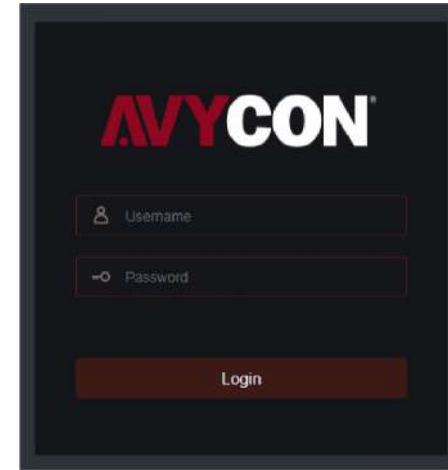


2. Under “AVYCON Device Tool”, you can modify the information of a selected device. Including IP, Media Port, Web Port, Gateway, Net Mask, Net Mode.

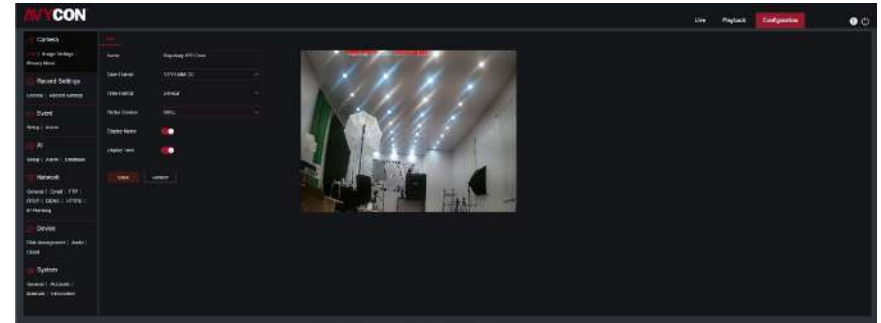
(The default username & password is: admin & admin)



3. Open the Internet Explorer and input the device's IP address; Input the username & password in the following interface to log in to the device.

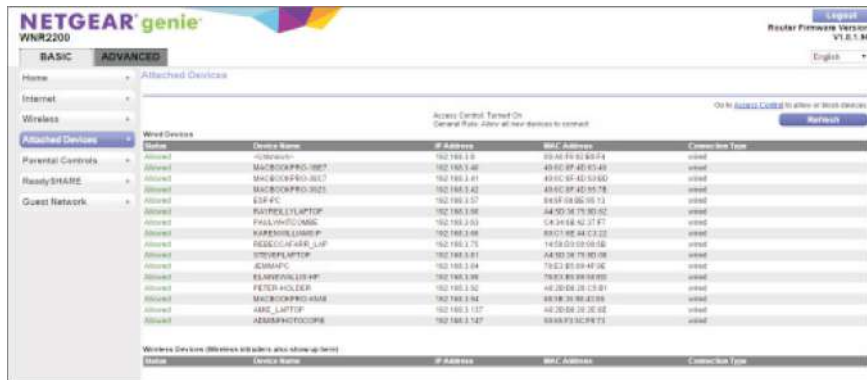


4. After login, click “Remote Setting” to change the setting.



## 6. MAC OS

1. Open your router web interface and log in.
2. Find the "Attached device" or "Connected device" menu. Find the device's IP address according to its MAC address. The Mac address is labeled on the device.



Device	Device Name	IP Address	MAC Address	Connection Type
Allowed	Dimitrios	192.168.1.9	20:AE:49:83:83:F4	wired
Allowed	MACBOOKPRO-1067	192.168.1.46	40:0E:0F:4D:83:48	wired
Allowed	MACBOOKPRO-1023	192.168.1.81	40:0E:0F:4D:83:80	wired
Allowed	ESR-PC	192.168.1.57	84:0F:08:0C:08:13	wired
Allowed	PAULYHUGO-MAC	192.168.1.53	CA:26:68:42:27:87	wired
Allowed	PAULYHUGO-LAPTOP	192.168.1.66	80:03:0E:84:C3:22	wired
Allowed	REGGIE-LEARNER-LAP	192.168.1.75	18:03:0A:09:04:08	wired
Allowed	STREPLAPTOP	192.168.1.81	A4:80:38:75:80:08	wired
Allowed	ALMAYC	192.168.1.04	70:27:05:09:4F:3C	wired
Allowed	ELMAREK-LAPTOP	192.168.1.96	78:03:0A:09:04:08	wired
Allowed	PETER-HOLDER	192.168.1.52	4E:2B:0E:10:13:01	wired
Allowed	MACBOOKPRO-1048	192.168.1.94	88:78:39:78:41:09	wired
Allowed	AMC-LAPTOP	192.168.1.57	4E:2B:0E:10:13:01	wired
Allowed	ADAM-PC-1000	192.168.1.47	88:78:39:78:41:09	wired

Picture for reference only

3. Input the device's IP address in Safari, log in with your username & password.
4. After login, click "Remote Setting" to modify the setting.

# AVYCON<sup>®</sup>



## AVYCON<sup>®</sup>

Copyright © AVYCON. All rights reserved. Specifications and pricing are subject to change without notice.

**phone:** 949-752-7606

**email:** [info@avycon.com](mailto:info@avycon.com)

**social:** [@avycon\\_aivo](#)

**website:** [avycon.com](http://avycon.com)