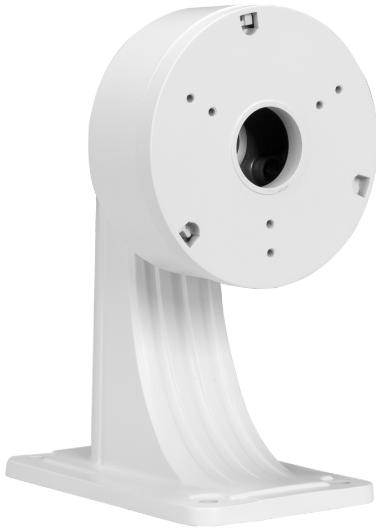


# AVM-HWM-V-S1

## HEAVY DUTY WALL MOUNT WITH JUNCTION BOX FOR FIXED LENS VANDAL DOME CAMERAS



### AVM-HWM-V-S1 WALL MOUNT WITH JUNCTION BOX

HEAVY DUTY WALL MOUNT WITH JUNCTION BOX FOR FIXED LENS VANDAL DOME CAMERAS

The AVM-HWM-V-S1 is a heavy duty ceiling mount with a junction box designed for use with our Fixed Lens Vandal Dome Cameras. Constructed with Aluminum alloy material with surface spray treatment, this wall mount allows for the collection of camera cables.

### FUNCTIONS

- Aluminum alloy material with surface spray treatment
- Wall mounting bracket

### SPECIFICATIONS

GENERAL	
Material	Aluminum alloy
Color	White
Working Temperature	-40°C~60°C (-40°F~140°F)
Working Humidity	10~90% (Non-Condensing)
Dimensions	mount: (180mm x 169mm x 98mm) junction box: (121mm x 69.5)

### DIMENSIONS

Unit : inch (mm)

