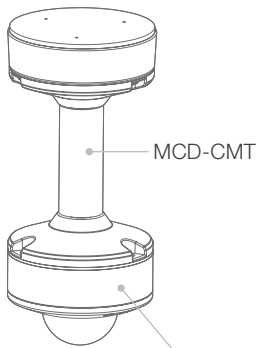


MicroDome® Series Accessories

Accessories for MicroDome and MicroDome G2 Surface Mount Indoor/Outdoor Ceiling, Wall, and Corner Mounting Solutions

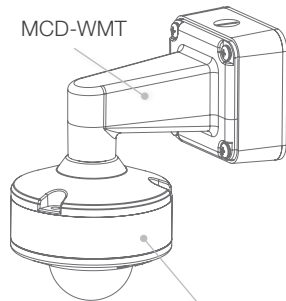


Ceiling Mount Configuration



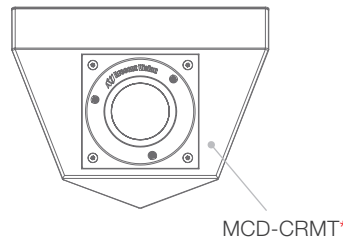
MCD-CMT
MicroDome Series
Surface Mount Camera
(Sold Separately)

Wall Mount Configuration



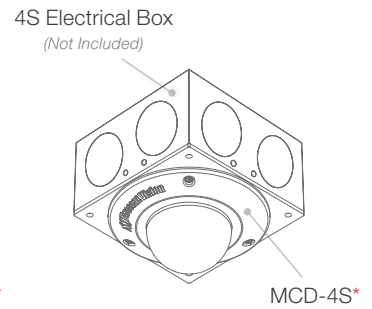
MCD-WMT
MicroDome Series
Surface Mount Camera
(Sold Separately)

Corner Mount Configuration



MCD-CRMT*

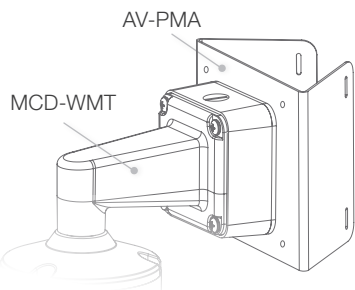
Electrical Box Configuration



4S Electrical Box
(Not Included)

MCD-4S*

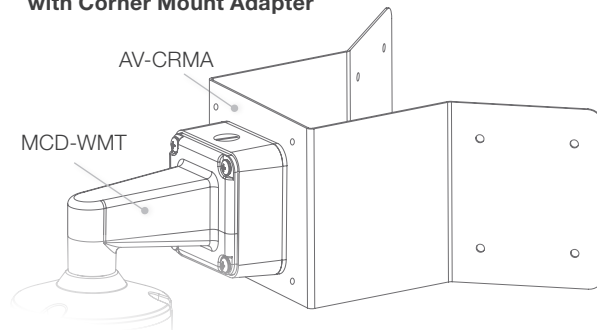
**Wall Mount Configuration
with Pole Mount Adapter**



AV-PMA

MCD-WMT

**Wall Mount Configuration
with Corner Mount Adapter**



AV-CRMA

MCD-WMT

Compatible Cameras



MicroDome® Series
Surface Mount (-S) Domes

* MCD-4S and MCD-CRMT will not work with the MicroDome IR models

MCD-CMT

Pendant Mount with Built-In Junction Box Adapter

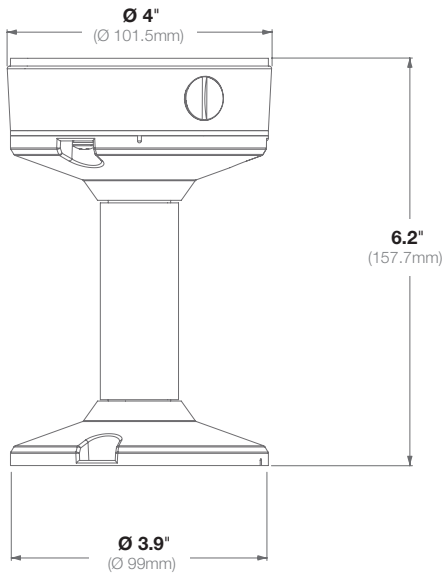


Features:

- Easy Installation and Superior Design
- Heavy Duty Enclosure Protection for Applications in Harsh Environments
- Die-Cast Aluminum is Resistant to Impact and Salt Damage

Compatibility	Compatible with 1/2" NPT standard
	Works with MicroDome Series surface mount domes (-S)

Mechanical	Casing	Die-cast aluminum
		IP66 weather proof standard
		IK-10 impact-resistant
	Color	Ivory (Pantone® Cool Gray 1C)
	Dimensions	See dimensional drawings below
Weight	w/o Camera	0.46lbs (0.21kg)



MCD-WMT

Wall Mount with Built-In Junction Box Adapter

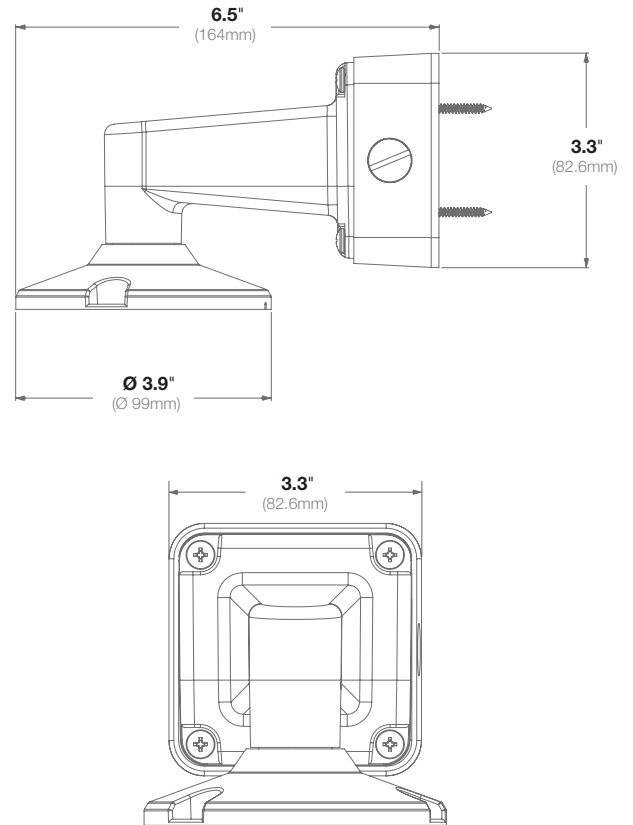


Features:

- Easy Installation and Superior Design
- Heavy Duty Enclosure Protection for Applications in Harsh Environments
- Die-Cast Aluminum is Resistant to Impact and Salt Damage

Compatibility	Compatible with 1/2" NPT standard
	Works with MicroDome Series surface mount domes (-S)

Mechanical	Casing	Die-cast aluminum
		IP66 weather proof standard
		IK-10 impact-resistant
	Color	Ivory (Pantone® Cool Gray 1C)
	Dimensions	See dimensional drawings below
Weight	w/o Camera	0.54lbs (0.25kg)



MCD-CRMT In-Room Corner Mount

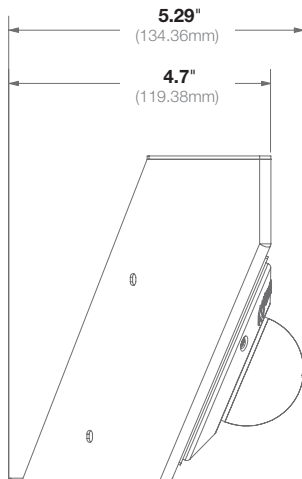
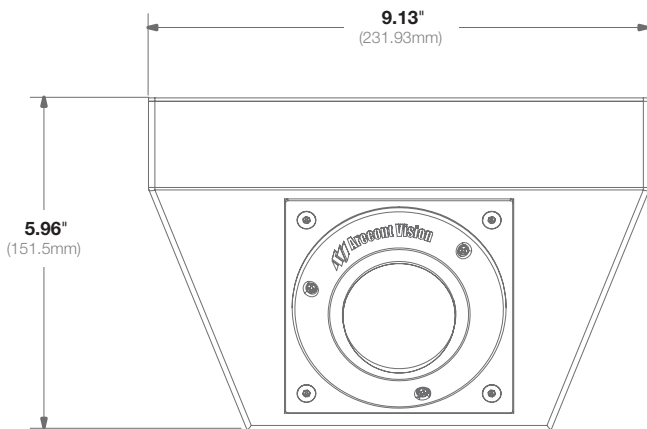


Features:

- Easy Installation and Superior Design
- "No-Grip" Design
- Heavy Duty Enclosure

Compatibility Works with MicroDome Series surface mount domes (-S models only)*

Mechanical	Casing	Die-cast aluminum
		IP66 weather proof standard
		IK-10 impact-resistant
	Color	Ivory (Pantone® Cool Gray 1C)
	Dimensions	See dimensional drawings below
	Weight	w/o Camera 0.37lbs (0.168kg)



MCD-4S Electrical Box Surface Mount Cover

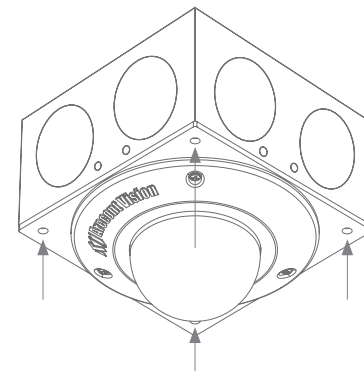
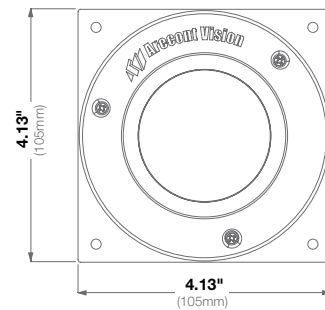
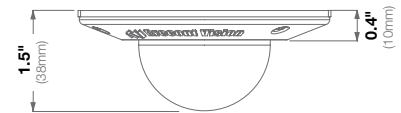


Features:

- Easily Install a MicroDome Surface Model Inside an Electrical Box
- Heavy Duty Enclosure Protection for Applications in Harsh Environments
- Die-Cast Aluminum is Resistant to Impact and Salt Damage

Compatibility Works with MicroDome Series surface mount domes (-S models only)* in conjunction with 3rd party 4-inch square box** 2-1/8 inch deep.

Mechanical	Casing	Die-cast aluminum
		IP66 weather proof standard
		IK-10 impact-resistant
	Color	Ivory (Pantone® Cool Gray 1C)
	Dimensions	4.13" L (105mm) x 4.13" W (105mm) x 1.5" H (38mm)
	Weight	w/o Camera 0.18lbs (0.08kg)



Quick Installation:

Attach the MCD-4S Mount Cover to a 4-inch square box (user supplied) with the supplied hardware.

* MCD-4S and MCD-CRMT will not work with the MicroDome IR models
** Verify fit as dimensions vary between manufactures

MCD-EBA

Electrical Box Adapter

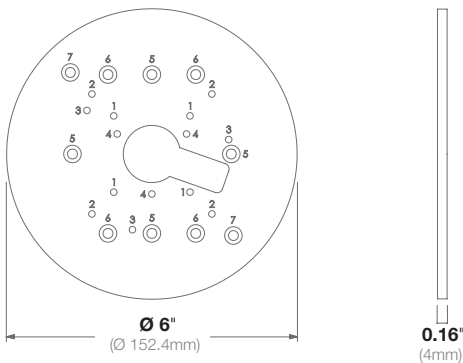


Features:

- Easy Installation and Superior Design
- Heavy Duty Enclosure Protection for Applications in Harsh Environments
- Die-Cast Aluminum is Resistant to Impact and Salt Damage

Compatibility Works with MicroDome Series (-S models only) and MicroBullet® Series

Mechanical	Casing	Die-cast aluminum
		IP66 weather proof standard
		IK-10 impact-resistant
	Color	Ivory (Pantone® Cool Gray 1C)
	Dimensions	See dimensional drawings below
	Weight	w/o Camera 0.12lbs (0.05kg)



Hole No.	Model Compatibility
1	MCD-WMT box
2	MCD-WMT arm
3	MicroDome -S
4	MicroBullet
5	Single gang box
6	Double gang box
7	4S box (4" square, 4" octagonal)

Quick Installation:

1. Pass cables through the center hole of the adapter plate.
2. Attach the adapter plate to the electrical box (sold separately) using the appropriate hardware and mounting holes.
3. Attach the compatible part noted above.

MCD-JBAS

Square Junction Box Plate



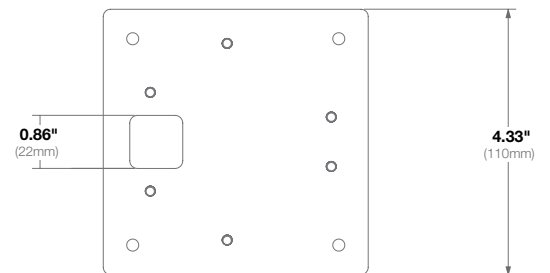
Features:

- Easy Installation and Superior Design
- Heavy Duty Enclosure Protection for Applications in Harsh Environments
- Die-Cast Aluminum is Resistant to Impact and Salt Damage

Compatibility Works with MicroDome Series (-S models only)

Works with AV-JBA

Mechanical	Casing	Die-cast aluminum
		IP66 weather proof standard
		IK-10 impact-resistant
	Color	Ivory (Pantone® Cool Gray 1C)
	Dimensions	See dimensional drawings below
	Weight	w/o Camera 0.27lbs (124g)



Quick Installation:

1. Pass cables through the center hole of the adapter plate.
2. Attach MicroDome to MCD-JBAS adapter plate.
3. Attach the adapter plate to the AV-JBA junction box (sold separately) using the appropriate hardware and mounting holes.

AV-PMA

Pole Mount Adapter

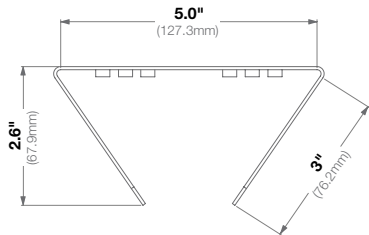
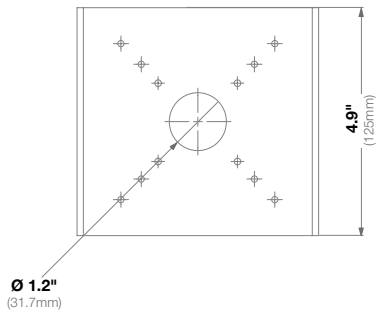


Features:

- Easy Installation and Superior Design
- Heavy Duty Enclosure Protection for Applications in Harsh Environments
- Die-Cast Aluminum is Resistant to Impact and Salt Damage

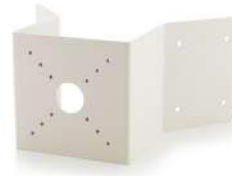
Compatibility Works with AV-WMJ, AV-SWMJ, MDD-WMT, MCD-WMT, and AV-JBA

Mechanical	Casing	
		Die-cast aluminum
		IP66 weather proof standard IK-10 impact-resistant
	Color	Ivory (Pantone® Cool Gray 1C)
	Dimensions	5.01" W (127.32mm) x 4.92" H (125mm)
	Weight	w/o Camera 0.32lbs (0.15kg)



AV-CRMA

Corner Mount Adapter

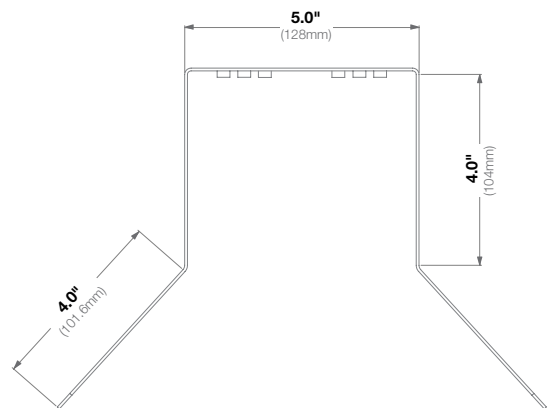
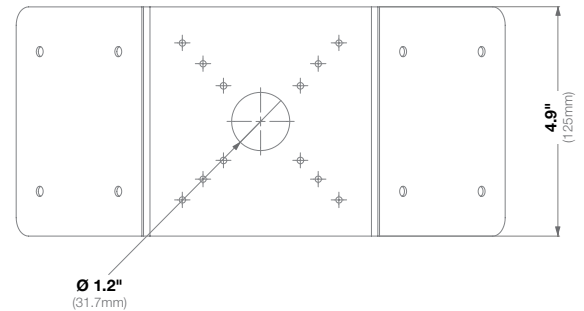


Features:

- Easy Installation and Superior Design
- Heavy Duty Enclosure Protection for Applications in Harsh Environments
- Die-Cast Aluminum is Resistant to Impact and Salt Damage

Compatibility Works with AV-WMJ, AV-SWMJ, MDD-WMT, MCD-WMT, and AV-JBA

Mechanical	Casing	
		Die-cast aluminum
		IP66 weather proof standard IK-10 impact-resistant
	Color	Ivory (Pantone® Cool Gray 1C)
	Dimensions	13.04" W (331.25mm) x 4.92" H (125mm)
	Weight	w/o Camera 0.59lbs (0.27kg)



AV-JBA

Square Junction Box Adapter

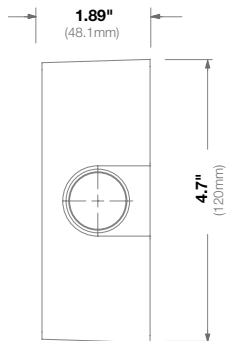
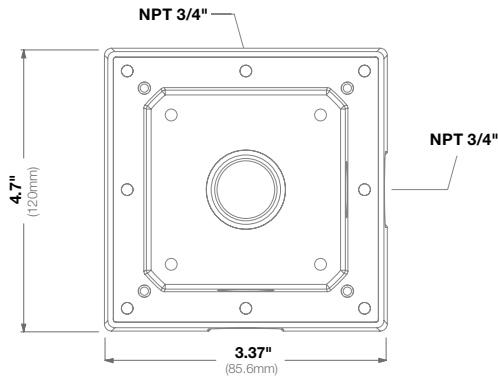


Features:

- Easy Installation and Superior Design
- Heavy Duty Enclosure Protection for Applications in Harsh Environments
- Die-Cast Aluminum is Resistant to Impact and Salt Damage

Compatibility	Compatible with 3/4" NPT standard
	Works with AV-PMJB***, AV-WMJB***, HSG2-WMT, MCD-JBAS, MCB-JBAS, and MegaView® 2***

Mechanical	Casing	Die-cast aluminum
		IP66 weather proof standard
		IK-10 impact-resistant
	Color	Ivory (Pantone® Cool Gray 1C)
	Dimensions	4.7" L (120mm) x 4.7" W (120mm) x 1.89" H (48.1mm)
Weight	w/o Camera	1.3lbs (0.63kg)



*** Replacement part for these models

See Next Page for Ordering Information



Compatible Accessories by Camera Model

MicroDome <i>(Surface Mount Models Only)</i>	AV-CRMA, AV-PMA, MCD-4S*, MCD-EBA, MCD-WMT, MCD-CMT, MCD-CRMT*, MCD-JBAS, AV-JBA
--	---

Accessory Model Numbers

AV-CRMA	Corner Mount Adapter
AV-PMA	Pole Mount Adapter
MCD-CMT	Pendant Mount with 1/2" NPT Standard for MicroDome Series
MCD-CRMT*	In-Room Corner Mount Adapter for MicroDome Series
MCD-EBA	Round Electrical Box Adapter Plate for MicroDome Series
MCD-JBAS	Mount Plate for MicroDome Series for use with AV-JBA
MCD-WMT	Wall Mount with 1/2" NPT Standard for MicroDome Series
MCD-4S*	Electrical Box Surface Mount Cover Fits 3rd Party 4-inch Square Box 2-1/8 Inch Deep (e.g. Lowe's® Item # 4788) for MicroDome Series
AV-JBA†	Square Standard Junction Box

* MCD-4S and MCD-CRMT will not work with the MicroDome IR models

† Use with MCD-JBAS