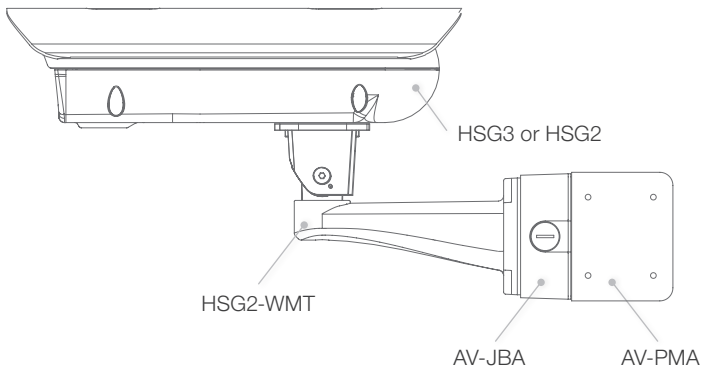


# MegaVideo® Series Accessories

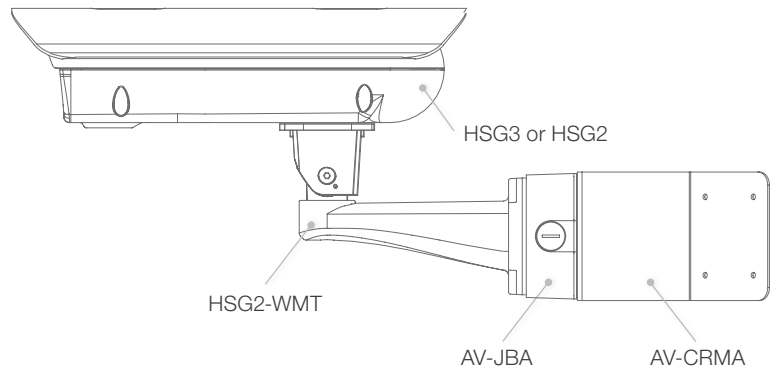
Accessories for Indoor/Outdoor Ceiling, Wall, Pole, and Corner Mounting Solutions



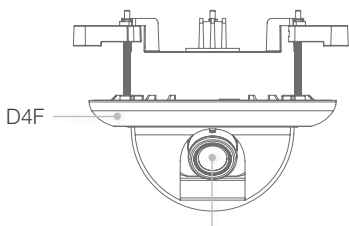
**Wall Mount Configuration with Pole Mount Adapter**



**Wall Mount Configuration with Corner Mount Adapter**

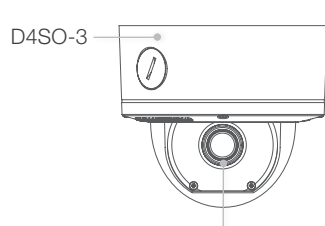


**D4F Configuration with Camera**



MegaVideo G5 Camera  
*(Sold Separately)*

**D4SO-3 Configuration with Camera\***



MegaVideo G5 Camera  
*(Sold Separately)*

Compatible Cameras



**MegaVideo® UltraHD**  
**MegaVideo® 4K**

**MegaVideo® G5**

**MegaVideo® Compact**

\* See Standard Dome Accessories Data Sheet for D4SO-3 Accessories

## HSG3

Outdoor Impact-Resistant Housing

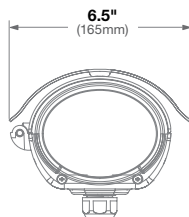
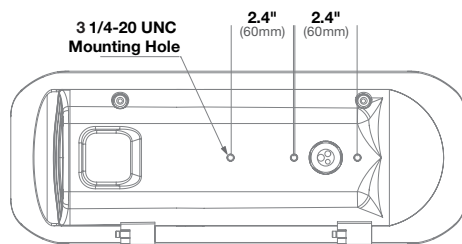
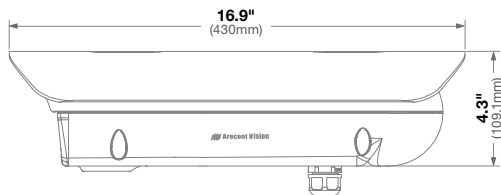


### Features:

- Easy Installation and Superior Design for Various Environments
- Excellent Outdoor Rated IP67 Enclosure Protection and Impact-Resistant
- Heater and Dual Fans

|               |               |   |
|---------------|---------------|---|
| Compatibility | <b>Camera</b> | Works with MegaVideo Series cameras         |
|               | <b>Lens</b>   | Compatible with all Arecont Vision Lenses** |

|            |                   |   |
|------------|-------------------|---|
| Mechanical | <b>Casing</b>     | Die-cast aluminum                                   |
|            |                   | IP67 weather proof standard                         |
|            |                   | IK-10 impact-resistant                              |
|            | <b>Color</b>      | Ivory (Pantone® Cool Gray 1C)                       |
|            | <b>Dimensions</b> | 6.5" W (165mm) x 4.3" H (109.1mm) x 16.9" L (430mm) |
|            | <b>Weight</b>     | <b>w/o Camera</b> 4.3lbs (1.95kg)                   |



## HSG2

Outdoor Impact-Resistant Housing

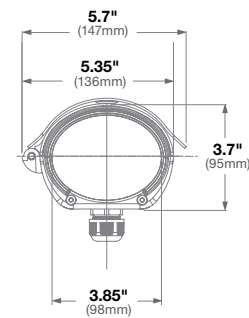
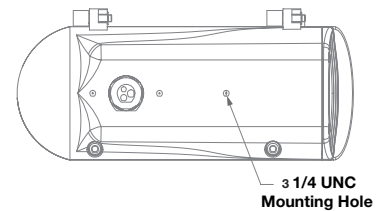
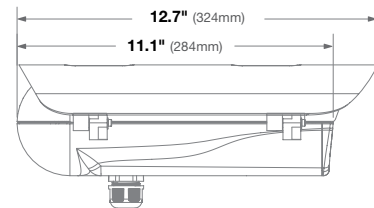


### Features:

- Easy Installation and Superior Design for Various Environments
- Excellent Outdoor Rated IP67 Enclosure Protection and Impact-Resistant
- Heater and Dual Fans

|               |               |   |
|---------------|---------------|---|
| Compatibility | <b>Camera</b> | Works with MegaVideo Series cameras         |
|               | <b>Lens</b>   | Compatible with all Arecont Vision Lenses** |

|            |                   |  |
|------------|-------------------|--|
| Mechanical | <b>Casing</b>     | Die-cast aluminum                                |
|            |                   | IP67 weather proof standard                      |
|            |                   | IK-10 impact-resistant                           |
|            | <b>Color</b>      | Ivory (Pantone® Cool Gray 1C)                    |
|            | <b>Dimensions</b> | 5.7" W (147mm) x 3.7" H (95mm) x 12.7" L (324mm) |
|            | <b>Weight</b>     | <b>w/o Camera</b> 3.76lbs (1.71kg)               |



\*\* A UHD30-120MPI lens inside an HSG3 housing is compatible with both MegaVideo 4K/UHD and MegaVideo G5 cameras. A UHD30-120MPI lens inside an HSG2 housing is only compatible with MegaVideo G5, and must use an HSG-LLA adapter.

## HSG2-WMT

Wall Mount

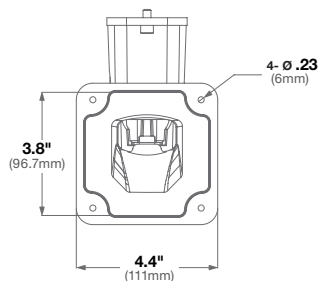
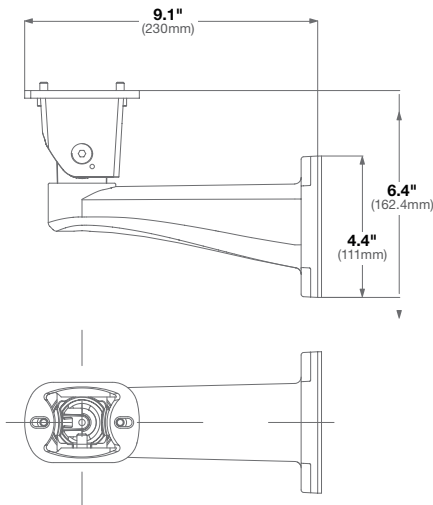


### Features:

- Easy Installation and Superior Design
- Heavy Duty Outdoor Rated IP67 Enclosure Protection for Applications in Harsh Environments
- Die-Cast Aluminum is Resistant to Impact and Salt Damage

**Compatibility** Works with HSG3 and HSG2

| Mechanical | Casing   |                             |
|------------|--|-----------------------------|
|            |  | Die-cast aluminum           |
|            |  | IP67 weather proof standard |
|            | IK-10 impact-resistant                           |                             |
| Color      | Ivory (Pantone® Cool Gray 1C)                    |                             |
| Dimensions | 4.4" W (111mm) x 6.4" H (162mm) x 9.1" L (230mm) |                             |
| Weight     | w/o Camera                                       | 1.49lbs (0.68kg)            |



## AV-EBAS

Square Electrical Box Adapter Plate



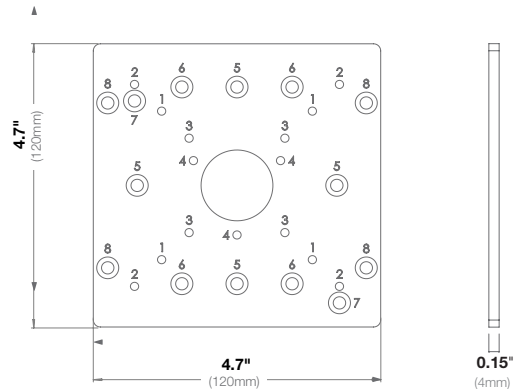
### Features:

- Easy Installation and Superior Design
- Heavy Duty Enclosure Protection for Applications in Harsh Environments
- Die-Cast Aluminum is Resistant to Impact and Salt Damage

**Compatibility\*\*\*** Compatible with 3/4" NPT standard

Works with MegaView® Series, MicroBullet®, SurroundVideo®, SurroundVideo G5, AV-JBA, AV-WMJB, AV-SWMJB, MCD-WMT, MDD-WMT, HSG2-WMT, and AV-PMJB

| Mechanical | Casing  |                             |
|------------|---|-----------------------------|
|            |   | Die-cast aluminum           |
|            |   | IP66 weather proof standard |
|            | IK-10 impact-resistant                          |                             |
| Color      | Ivory (Pantone Cool Gray 1C)                    |                             |
| Dimensions | 4.7" L (120mm) x 0.15" W (4mm) x 4.7" H (120mm) |                             |
| Weight     | w/o Camera                                      | 0.33lbs (0.13kg)            |



| Hole No. | Model Compatibility  |
|----------|--|
| 1        | AV-JBA, AV-WMJB, AV-PMJB, MegaView 2 (standard), SurroundVideo, SurroundVideo G5 |
| 2        | HSG2-WMT, AV-WMJB bracket, AV-PMJB bracket, MegaView 2 bracket                   |
| 3        | AV-SWMJB, MCD-WMT, MDD-WMT   |
| 4        | MicroBullet  |
| 5        | Single gang box  |
| 6        | Double gang box  |
| 7        | 4S box (4" square, 4" octagonal)   |
| 8        | 4-11/16" square box  |

### Quick Installation:

1. Pass cables through the center hole of the adapter plate.
2. Attach the adapter plate to the electrical box (sold separately) using the appropriate hardware and mounting holes.
3. Attach the compatible part noted above.

\*\*\* The mounting plate on all MegaDome Series cameras, SurroundVideo G5 Mini, SurroundVideo Omni G3, MicroDome Duo, and the D4SO-3 housing negate the need for a separate electrical box adapter plate and therefore this accessory is not applicable.

## D4SO-3\*

Outdoor Surface Mount Dome

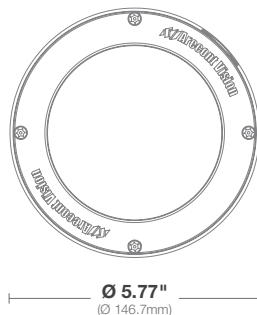
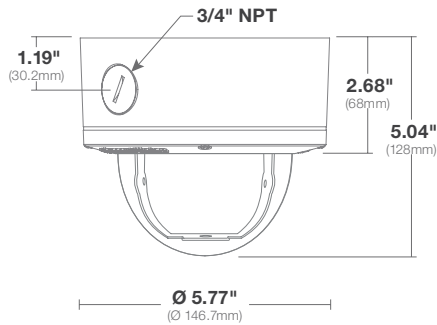


### Features:

- Outdoor Rated IP66 and IK-10 Impact-Resistant Housing
- Die-Cast Aluminum is Resistant to Impact and Salt Damage
- Easy Installation and Superior Design with Magnetic Fasteners and Mount Plate

|               |               |   |
|---------------|---------------|---|
| Compatibility | <b>Camera</b> | Works with MegaVideo G5 cameras                             |
|               | <b>Lens</b>   | Compatible with MPL33-12A, MPL2.8-8.5MPI, and MPL3.3-8.5MPI |

|               |                                    |   |
|---------------|------------------------------------|---|
| Mechanical    | <b>Casing</b>                      | Die-cast aluminum chassis, polycarbonate dome |
|               |                                    | IP66 weather proof standard                   |
|               |                                    | IK-10 impact-resistant                        |
|               | <b>Color</b>                       | Ivory (Pantone® Cool Gray 1C)                 |
|               | <b>Dimensions</b>                  | Ø 5.77" (146.7mm) x 5" H (128mm)              |
| <b>Weight</b> | <b>w/o Camera</b> 2.28lbs (1.03kg) |   |



## D4F

Indoor Flush Mount Dome

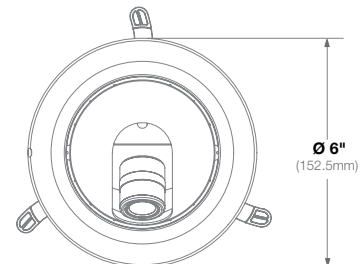
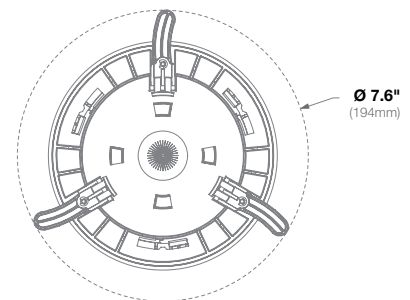
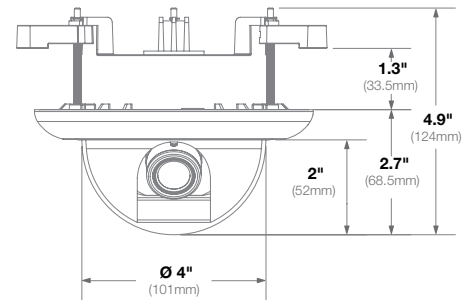


### Features:

- Easy Installation and Superior Design
- Low Profile Installation

|               |               |                                 |
|---------------|---------------|---------------------------------|
| Compatibility | <b>Camera</b> | Works with MegaVideo G5 cameras |
|               | <b>Lens</b>   | Compatible with MPL33-12A       |

|            |                   |  |
|------------|-------------------|--|
| Mechanical | <b>Casing</b>     | Acrylonitrile Butadiene Styrene (ABS) plastic housing, acrylic (PMMA) dome |
|            | <b>Color</b>      | Ivory (Pantone® Cool Gray 1C)  |
|            | <b>Dimensions</b> | Ø 6" (152.5mm) x 4.9" H (124mm)  |
|            | <b>Weight</b>     | <b>w/o Camera</b> 2.0lbs (0.91kg)  |



\* See Standard Dome Accessories Data Sheet for D4SO-3 Accessories

## AV-PMA

Pole Mount Adapter

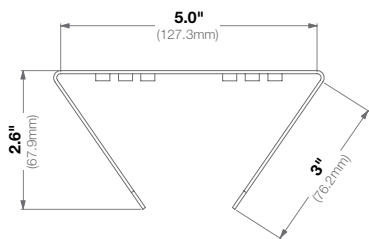
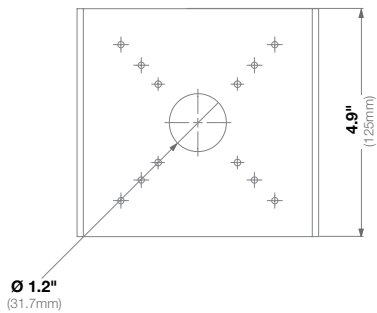


### Features:

- Easy Installation and Superior Design
- Heavy Duty Enclosure Protection for Applications in Harsh Environments
- Die-Cast Aluminum is Resistant to Impact and Salt Damage

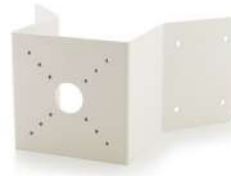
|                      |  |
|----------------------|--|
| <b>Compatibility</b> | Compatible with 2"–7" pole diameter                        |
|                      | Works with AV-WMJB, AV-SWMJB, MDD-WMT, MCD-WMT, and AV-JBA |

|                   |                   |                                      |
|-------------------|-------------------|--------------------------------------|
| <b>Mechanical</b> | <b>Casing</b>     | Die-cast aluminum                    |
|                   |                   | IP66 weather proof standard          |
|                   |                   | IK-10 impact-resistant               |
|                   | <b>Color</b>      | Ivory (Pantone® Cool Gray 1C)        |
|                   | <b>Dimensions</b> | 5.01" W (127.32mm) x 4.92" H (125mm) |
|                   | <b>Weight</b>     | <b>w/o Camera</b> 0.32lbs (0.15kg)   |



## AV-CRMA

Corner Mount Adapter

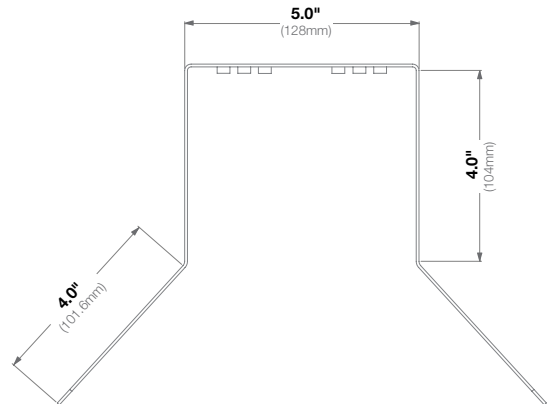
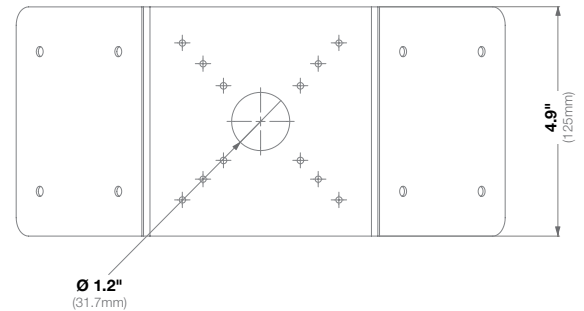


### Features:

- Easy Installation and Superior Design
- Heavy Duty Enclosure Protection for Applications in Harsh Environments
- Die-Cast Aluminum is Resistant to Impact and Salt Damage

|                      |  |
|----------------------|--|
| <b>Compatibility</b> | Works with AV-WMJB, AV-SWMJB, MDD-WMT, MCD-WMT, and AV-JBA |
|----------------------|--|

|                   |                                       |                             |
|-------------------|---------------------------------------|-----------------------------|
| <b>Mechanical</b> | <b>Casing</b>                         | Die-cast aluminum           |
|                   |                                       | IP66 weather proof standard |
|                   |                                       | IK-10 impact-resistant      |
| <b>Color</b>      | Ivory (Pantone® Cool Gray 1C)         |                             |
| <b>Dimensions</b> | 13.04" W (331.25mm) x 4.92" H (125mm) |                             |
| <b>Weight</b>     | <b>w/o Camera</b> 0.59lbs (0.27kg)    |                             |



## AV-JBA

Square Standard Junction Box



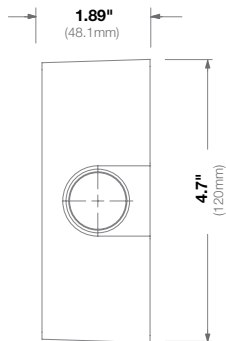
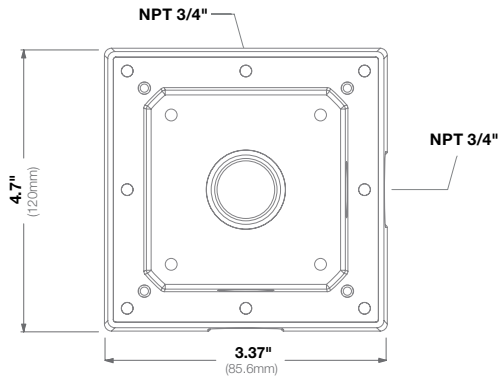
### Features:

- Easy Installation and Superior Design
- Heavy Duty Enclosure Protection for Applications in Harsh Environments
- Die-Cast Aluminum is Resistant to Impact and Salt Damage

**Compatibility** Compatible with 3/4" NPT standard

Works with AV-PMJB†, AV-WMJB†, HSG2-WMT, MCD-JBAS, MCB-JBAS, and MegaView® 2†

|                   |                   |  |
|-------------------|-------------------|--|
| <b>Mechanical</b> | <b>Casing</b>     | Die-cast aluminum                                  |
|                   |                   | IP66 weather proof standard                        |
|                   |                   | IK-10 impact-resistant                             |
|                   | <b>Color</b>      | Ivory (Pantone® Cool Gray 1C)                      |
|                   | <b>Dimensions</b> | 4.7" L (120mm) x 4.7" W (120mm) x 1.89" H (48.1mm) |
|                   | <b>Weight</b>     | w/o Camera 1.3lbs (0.63kg)                         |



† Replacement part for these models

See Next Page for Ordering Information



## Compatible Accessories by Camera Model

|                          |   |
|--------------------------|---|
| <b>MegaVideo UltraHD</b> | AV-EBAS, HSG3, HSG2, AV-CRMA, AV-PMA, HSG2-WMT, AV-JBA              |
| <b>MegaVideo 4K</b>      | AV-JBA  |
| <b>MegaVideo G5</b>      | AV-EBAS, HSG3, HSG2, AV-CRMA, AV-PMA, HSG2-WMT, D4SO-3, D4F, AV-JBA |
| <b>MegaVideo Compact</b> | AV-EBAS, HSG2, AV-CRMA, AV-PMA, HSG2-WMT, AV-JBA                    |

## Accessory Model Numbers

|                           |  |
|---------------------------|--|
| <b>AV-EBAS</b>            | Square Electrical Box Adapter Plate          |
| <b>HSG3<sup>1</sup></b>   | 16" Outdoor PoE Bullet-Style Housing         |
| <b>HSG2</b>               | 11" Outdoor PoE Bullet-Style Housing         |
| <b>HSG2-WMT</b>           | Wall Mount Bracket for HSG2 and HSG3 Housing |
| <b>AV-PMA</b>             | Pole Mount Adapter                           |
| <b>AV-CRMA</b>            | Corner Mount Adapter                         |
| <b>D4SO-3</b>             | 4" Outdoor Dome Housing for MegaVideo G5     |
| <b>D4F</b>                | Indoor Flush Mount Housing                   |
| <b>AV-JBA<sup>2</sup></b> | Square Standard Junction Box                 |

<sup>1</sup> A UHD30-120MPI lens inside an HSG3 housing is compatible with both MegaVideo 4K/UHD and MegaVideo G5 cameras.

A UHD30-120MPI lens inside an HSG2 housing is only compatible with MegaVideo G5, and must use an HSG-LLA adapter.

<sup>2</sup> Replacement part for AV-PMJB and AV-WMJB