

# BioCam 300

Standalone HD IP Camera with Long Range Facial Recognition

BioCam 300 represents the first step in the true convergence of HD IP video surveillance, IP access control, Time & Attendance with embedded long distance facial recognition, and a Public View Monitor incorporated into a single affordable stand-alone product that doesn't require a computer or bandwidth.



Face Recognition



Surveillance



Access Control



Time & Attendance

## Product features include:

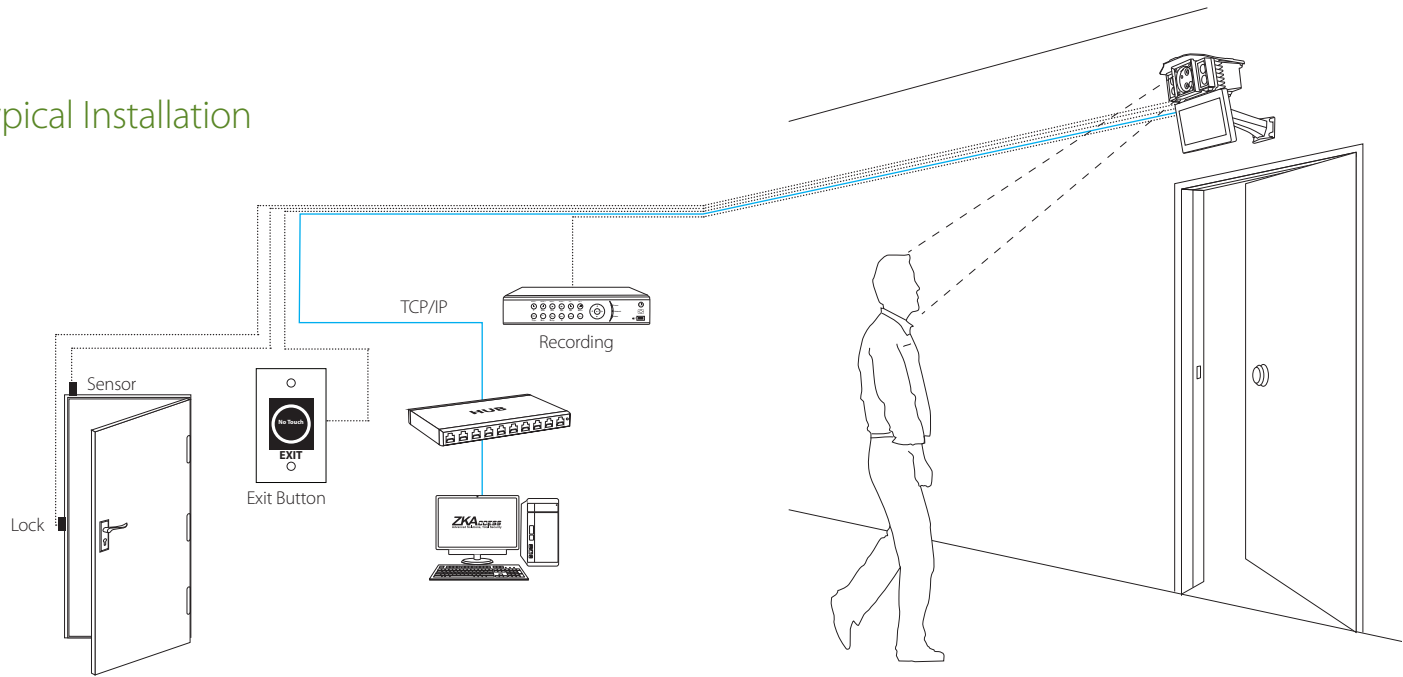
- Long Range embedded Facial recognition technology with range up to 12 feet.
- 400 face capacity, 100K transaction logs
- Fast throughput with 1 to 2 seconds verification time
- Dual HD CMOS cameras with audio output and alarm output
- 4 IR illuminators deliver consistent lighting environment
- 7" LCD display incorporated with HD IP camera
- Access control ready with relays for electric locks and inputs for REX and door contact
- HD IP Video recording with support up to 32GB Card or external NVR.
- Simple installation, enrollment and configuration process.

The BioCam 300 is a game changer as it defines an exciting new security product category and approach to blending technology, software and hardware. It can affordably address business and security applications for system integrators of all sizes and skill levels.

The BioCam 300 delivers sophisticated integration of technology with simple, intuitive deployment and configuration tools that will enable a wide range of applications in many market segments including financial services, hospitality, data centers, gaming, government, property management and retail.

**ZKA**ccess<sup>®</sup>  
Advanced Solutions, Total Security

## Typical Installation



## Technical Specifications

### Camera Performance

**Image Sensor:** 1/3" megapixel WDR progressive CMOS  
**Image Resolution:** 1280 x 720  
**Minimum Illumination:** 1 LUX (IR off), 0 LUX (IR on)  
**Day & Night:** Automatic IR-cut filter  
**SNR:** ≥60db (AGC Off, Weight On)  
**Lens:** 6mm fixed lens  
**IR Distance:** 5~7m; 60° projection angle

### Face Recognition

**Face Capacity:** 400  
**Verification Speed:** ≤1s  
**Template Capacity:** 12 template/Face  
**Log Capacity:** 100,000  
**Camera:** Dual Camera  
**Display:** 7 inch LCD  
**Audio Output:** 1 channel line output

### Video

**OS:** Embedded Linux  
**Video Compression:** H.264 main profile level 3  
**Video Resolution:** *Main stream:* 1280 x 720  
*Secondary stream:* 352 x 288  
**Code Stream:** 32K~10240kbps  
**Video Frame Rate:** NTSC: 1~30; PAL: 1~25  
**Image settings:** Brightness, contrast, saturation, color, chroma, gain, flip vertically / horizontally

### Working Conditions

**Power Supply:** 12V DC, 1.5A  
**Power Consumption:** 13W  
**Working Temperature:** 14° F ~ 122° F  
 (-10° C ~ 50° C)

### Security

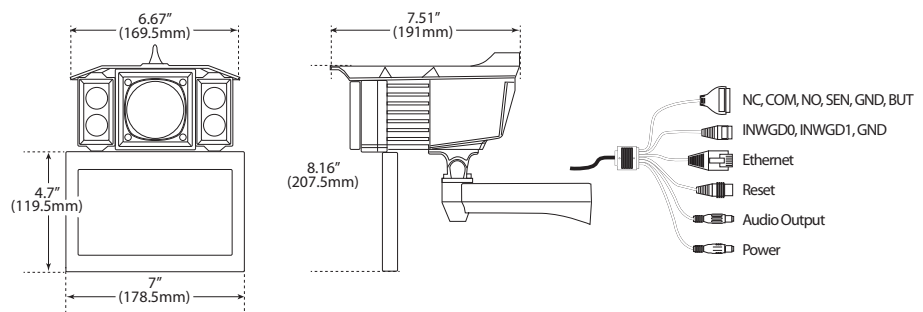
**Security:** Multi-level users access with password protection

### Communication and Controls

**Access Control:** Simple access control function (door sensor, exit button, 3rd party electric lock, weigand I/O)  
**Communication:** TCP/IP  
**Motion Detection:** Independent detection areas configurable  
**Storage:** Support TF card, up to 32GB  
**Network Interface:** 10Base-T / 100Base-TX Ethernet interface  
**Supported Protocol:** TCP/IP, HTTP, UDP, ARP, SMTP, FTP, DHCP, DNS, DDNS, NTP, UPNP, RTSP/RTCP/RTP, ONVIF



Design and Specifications subject to change without notice



### ZKAccess

201 Circle Drive North, Suite 116  
 Piscataway, NJ 08854, USA  
 Tel: +1 732-412-6007  
 Fax +1 732-412-6008  
 sales@zkaccess.com  
 zkaccess.com

ZKAccess-division of ZKTeco