

C11W

1.3MP Wireless Cube with Basic WDR, Fixed Lens



- 1.3 Megapixel
- Fixed Lens with f3.6mm/F1.8
- Basic WDR
- Wi-Fi ((IEEE 802.11b/g/n)
- Event trigger, response and notification

► Specifications

Device

Product Type	Cube
Maximum Resolution	1.3MP
Application Environment	Indoor
Image Sensor	Progressive Scan CMOS
Sensor Size	1/4 "
Effective Pixels	1280(H) X 1024(V) (1.31 MP)
Day / Night	No
Low Light Sensitivity	Standard
Minimum Illumination	Color: 0.5 lux at F1.8 (30 IRE, 2400 K)
Mechanical IR Cut Filter	No
IR LED	No
Horizontal Resolution (TV Lines)	800 TVL
S/N Ratio	75 dB

Lens

Focal Length	Fixed focal, f3.6mm
--------------	---------------------

Aperture	F1.8
Iris	Fixed iris
Focus	Fixed focus
Lens Mount	Board mount
Horizontal Viewing Angle	55°
Vertical Viewing Angle	46.5°

Video

Compression	H.264 (Main profile), MJPEG
Maximum Frame Rate vs. Resolution	30 fps at 1280 x 1024 30 fps at 1280 x 720 30 fps at 640 x 480 30 fps at 320 x 240
Multi-Streaming	Simultaneous dual streams based on two configurations
Bit Rate	28Kbps - 6Mbps (per stream)
Bit Rate Mode	Constant, Variable
Wide Dynamic Range	Basic WDR (75 dB)
Image Enhancement	White Balance, Brightness, Contrast, Sharpness, Defogging
Digital Noise Reduction	2D + 3D DNR
Privacy Mask	4 configurable regions
Text Overlay	Yes
On-Screen Graphics (Picture Overlay)	Yes
Built-in Analytics	Tampering Detection
Server-based Analytics	Object Line Counting, People Counting, Face Detection, Object Based Motion Detection, Tamper, Object Line Crossing Detection, Object Enter Area Detection, Missing Object Detection, Unattended Object Detection, Smoke Detection, Heat Map, Dwell Time, People Queue Detection, (Require PC-based or standalone IVS or ALPR Server. Contact ACTi support for recommendations on how to maximize analytical accuracy)
Image Orientation	Flip, Mirror

Audio

Audio Type	2-way, Built-in Microphone, Line-out
Audio Compression	8 kHz, Mono, G.711

Network

Network Protocol & Service	IPv4/v6, TCP, UDP, DHCP, PPPoE, HTTP, HTTPS, DNS, DDNS, NTP, RTP, RTSP, RTCP, SMTP, FTP, IGMP, ICMP, ARP, Bonjour, UPnP, QoS, SNMP
Ethernet Port	1 x RJ-45 connector
Security	IP address filtering, HTTPS encryption, Password protected user level, Anonymous login

Event

Event Trigger	Video motion detection (3 regions), Sound detection, Tampering detection
---------------	--

Event Response

Notify control center, Change camera settings, Command other devices, E-mail notification with snapshots, Save video to local storage, Upload snapshot to FTP server

System

Watchdog	Support
----------	---------

Integration

Unified Solution	Fully compatible with ACTi software
Software Development Kit	Yes
GPS Position	Manual setting
Edge Recording	Support (integration with NVR by ONVIF Profile G or proprietary protocol)*
ONVIF Compliant	Yes, Profile S, Profile G
Web Browser	IE 11

Interface

Wireless	Wi-Fi (IEEE 802.11b/g/n)
Local Storage	MicroSDHC Memory Card Slot (card not included, up to 128GB, Kingston or Sandisk only)
Operating Button	Reset Button

General

Power Source	DC 12V
Power Consumption	8 W (DC)
Weight	73g (0.161lb)
Dimensions	(W x H x D): 74.5mm x 52.6mm x 33.6mm (2.9" x 2.18" x 1.3")
Bundled Accessories	Bracket, Power Adapter
Mount Type	Bracket
Starting Temperature	0°C ~ 40°C (32°F ~ 104°F)
Operating Temperature	0°C ~ 40°C (32°F ~ 104°F)
Operating Humidity	20% - 80% RH
Approvals	CE Class A, FCC Class A, Efficiency Level VI
Real-time Clock (RTC)	No
Warranty	2 Year(s). For extended warranty offering, see http://www.acti.com/support/warranty

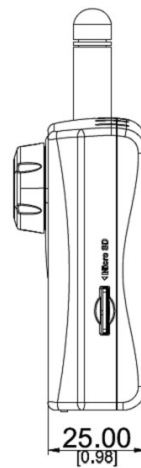
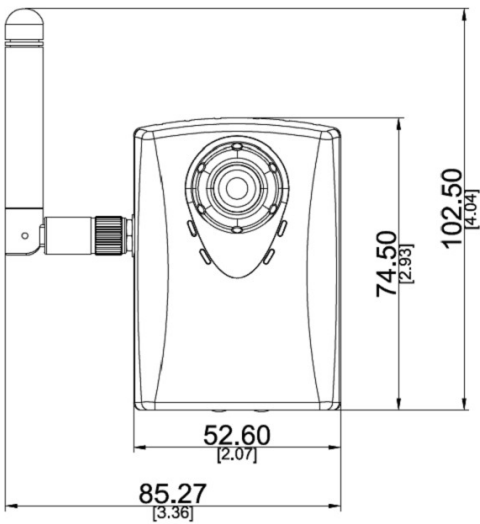
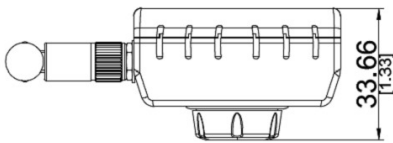
* Edge Recording function is integrated with NVR 3 Corporate / NVR 3 Business / INR / GNR series.

► Photo Indication



- 1 Power Input
- 2 Ethernet Port
- 3 Audio Output
- 4 Built-in Microphone
- 5 Antenna
- 6 Memory Card Slot
- 7 Reset Button

► Dimension Diagram



Unit: mm [inch]

▶ Related Products

Network & Storage Peripherals - Data Switch

PPSW-3100



PLANET FGSW-1816HPS 16-Port 802.3at PoE Switch (PoE Budget 220W)

Extenders - PoE Extender

PPEX-0100



Veracity OUTREACH Max Power over Ethernet (PoE) Extender

Extenders - PoE over Coaxial Extender Kit

PPOC-0100



Planet LRP-101C-KIT Power over Coax Adapter Kit