

2MP IR Stainless Steel Dome Camera

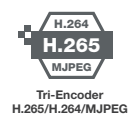
2 Megapixel (MP) H.265/H.264 All-in-One Motorized Lens True Day/Night Indoor/Outdoor Dome IP Camera with Real Wide Dynamic Range and Stainless Steel Housing



The CDI2J12IFX Stainless Steel Dome camera delivers high-quality video resolution of 2 megapixels. Its built-in infrared LEDs ensure clear imaging during nighttime surveillance. Installers can easily adjust zoom and focus using the Remote Focus feature, accessible from both network video recorders (NVRs) and StarNET's remote interface. With the advanced H.265 codec, this camera optimizes recording file sizes and minimizes bandwidth usage on your network.

Equipped with on-camera video analytics, the CDI2J12IFX enhances situational awareness without the need for extra licenses. Can be tailored to detect various behaviors, including Video Motion Detection.

StarNET facilitates remote access to live and recorded video, offering features like advanced event notification, map monitoring, and system status monitoring. Additionally, Costar's DirectNET cameras adhere to ONVIF standards, ensuring interoperability with IP-based security products across different brands.



Series Features

- 2MP (1945 x 1097) Resolution
- 1/2.8" Sony 2MP STARVIS image sensor
- 2.8-12mm Motorized Megapixel Lens
- True Day/Night with Auto Day(Color)/Night(BW) and ICR Control
- 24 IR LEDs
- IR Range ~40m
- NDAA Compliant
- ONVIF protocol
- True Wide Dynamic Range (WDR)
- Multiple Compression (H.265, H.264, MJPEG)
- Power over Ethernet (PoE) or 12VDC

Camera Imaging Specifications

Model	CDI2J12IFX	
Image Sensor	Sony 2MP STARVIS image sensor	
Optical Format	1/2.8"	
Full FOV Resolution	1945 H x 1109 V	
Scaling (See Scaling Resolutions Below)	Yes	
Frame Rates*	Single Stream	Up to 30fps
Lens	Fixed Iris	2.8-12mm motorized MP lens

Programmability

Optics	Motorized Vari-focal
S/N Ratio	More than 45dB
Electronic Shutter Speed	Auto / Manual (1/30 ~ 1/15,000), Suppress Rolling
Privacy Masking	16 Zones
Mirroring/Pivot	Horizontal / Vertical / Pivot
Scaling	1920x1080, 1280x960, 1280x720, 640x480, 640x360, 320x240
Wide Dynamic Range	Real-WDR
Image Settings	Exposure, White Balance, Self-Adjusting Video Mode (Sharpness, Contrast, Colors, Brightness Control)
Intelligent Video	Video Motion Detection
On-Screen Display (OSD)	Date / Time / Custom Text

Data Transmission

Compression Type	H.265, H.264, Motion JPEG (MJPEG)
Compression Level	Basic, Standard, High, Very High
Bit Rate Control	Constant Bitrate / Variable Bitrate
Recording Session Buffer (NLTSrec)	Yes (Up to 60MB)
Transmission Protocols	IPv4, IPv6, RTP/RTSP/TCP, RTP/RTSP/HTTP/TCP, RTP/UDP RTSP/TCP, HTTP, HTTPS, FTP, SMTP, FEN, mDNS, UPnP, SNMPv2 10/100Base-T Ethernet network interface, RJ45
Network Interface	10/100Base-T Ethernet network interface, RJ45

Event Management

Event Trigger	Motion Detection
----------------------	------------------

Compliance

Industry Standard	ONVIF Profile S conformant
Approval	FCC, CE, KC, NDA Compliant
Mechanical	IP67

Environmental

Operating Temperature	32°F (0°C) to + 122°F (50°C)
Humidity	0% to 90%
Preservation Temperature	14°F (-10°C) to + 140°F (60°C)

General Electrical

Alarm Input/Output	1 TTL input / 1 open collector output
Power	PoE
Power Consumption	12VDC

IR Illuminator

LEDs	24pcs
Projection Distance	131.2ft (40m) max

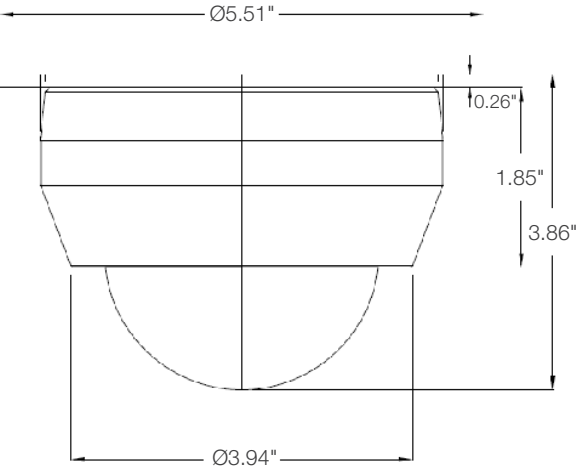
Mechanical

Casing	Stainless Steel
Gimbal	3-axis camera adjustment with -175°~ 175° pan, -0°~ 64° tilt, and -177°~ 177° rotation
Dimensions	Ø 3.15" (80mm) Dome x 5.51" (140mm) W x 3.86" (98mm) H
Weight	3.75lbs (1.70kg)

2MP IR Stainless Steel Dome Camera

Ordering Information

Dimensions



Model Numbers

2MP	CDI2J12IFX
-----	------------