

### Junction Box

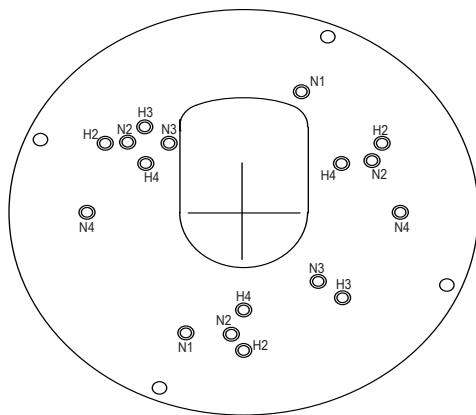
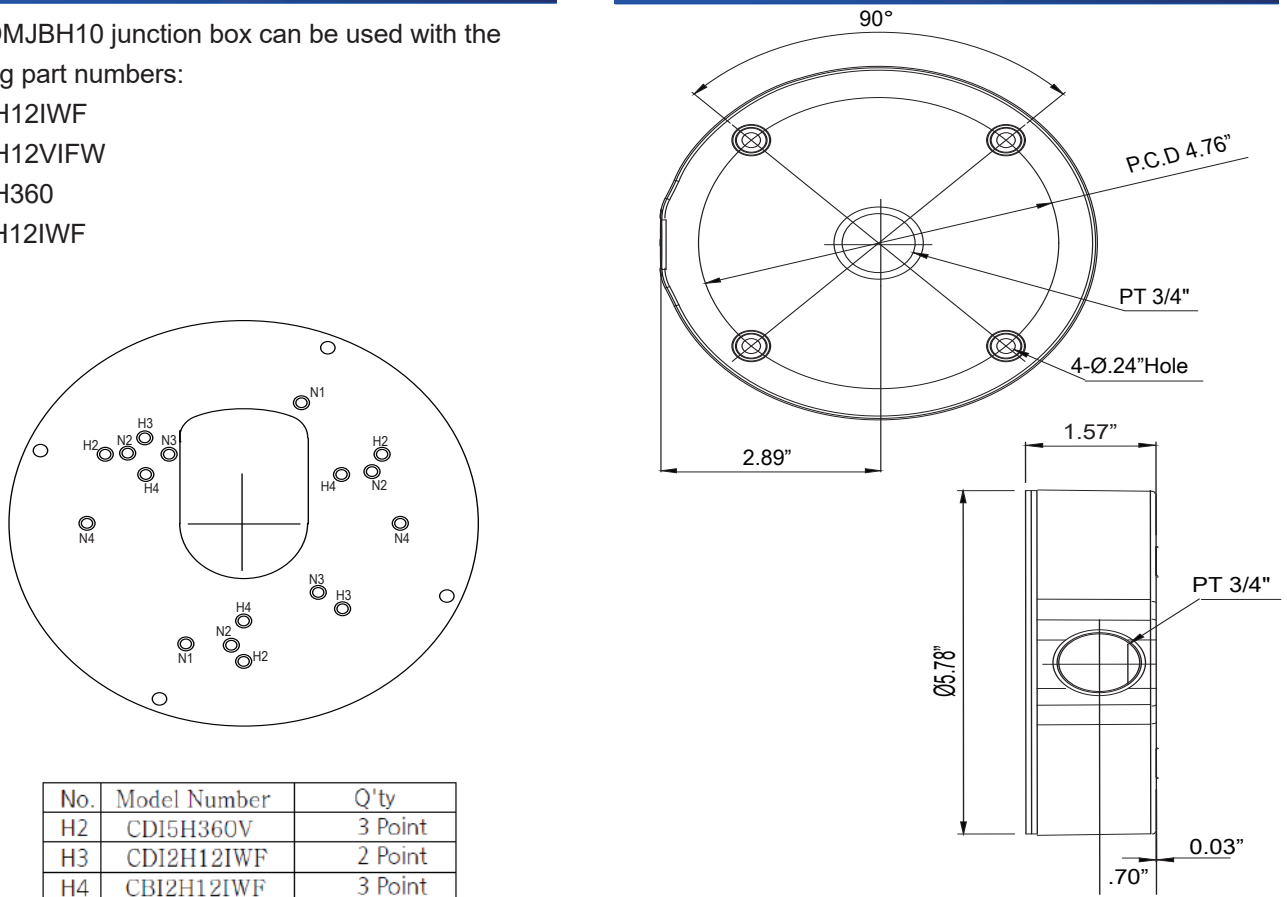


#### Features

The CDMJBH10 junction box can be used with the following part numbers:

- CDI2H12IWF
- CDI2H12VIFW
- CDI5H360
- CBI2H12IWF

#### Dimensions



No.	Model Number	Q'ty
H2	CDI5H360V	3 Point
H3	CDI2H12IWF	2 Point
H4	CBI2H12IWF	3 Point