

# Gigabit PoE Switch

Operation Manual

*CRIS10*

*CRIS18*

# Before reading this manual

This operation manual contains basic instruction on installing and using Gigabit PoE Switch. Users who are using this product for the first time, as well as users with experience using comparable products, must read this operation manual carefully before use and heed to the warnings and precautions contained herein while using the product. Safety warnings and precautions contained in this operation manual are intended to promote proper use of the product and thereby prevent accidents and property damage and must be followed at all times.

Once you have read this operation manual, keep it at an easily accessible location for future reference.



- Unauthorized reproduction of this manual is prohibited.
- The manufacturer will not be held responsible for any product damage resulting from the use of unauthorized parts and accessories or from the user's failure to comply with the instructions contained in this operation manual.
- It is recommended that first-time users of Gigabit PoE Switch and individuals who are not familiar with its use seek technical assistance from their retailer regarding product installation and use.
- If you need to disassemble the product for functionality expansion or repair purposes, you must contact your retailer and seek professional assistance.
- Both retailers and users should be aware that this product has been certified as being electromagnetically compatible for commercial use. If you have sold or purchased this product unintentionally, please replace with a consumer version.

## Safety Symbols

Symbol	Type	Description
	<b>Warning</b>	An important instruction or set of important instructions that can lead to severe injury or even death if not followed.
	<b>Caution</b>	An instruction or set of instruction that can lead to personal injury and/or property damage if not followed.

## In-Text

Symbol	Type	Description
	<b>Caution</b>	Important information concerning a specific function.
	<b>Note</b>	Useful information concerning a specific function.

## FCC Compliance Statement

THIS EQUIPMENT HAS BEEN TESTED AND FOUND TO COMPLY WITH THE LIMITS FOR A CLASS A DIGITAL DEVICE, PURSUANT TO PART 15 OF THE FCC RULES. THESE LIMITS ARE DESIGNED TO PROVIDE REASONABLE PROTECTION AGAINST HARMFUL INTERFERENCE WHEN THE EQUIPMENT IS OPERATED IN A COMMERCIAL ENVIRONMENT. THIS EQUIPMENT GENERATES, USES, AND CAN RADIATE RADIO FREQUENCY ENERGY AND IF NOT INSTALLED AND USED IN ACCORDANCE WITH THE INSTRUCTION MANUAL, MAY CAUSE HARMFUL INTERFERENCE TO RADIO COMMUNICATIONS. OPERATION OF THIS EQUIPMENT IN A RESIDENTIAL AREA IS LIKELY TO CAUSE HARMFUL INTERFERENCE, IN WHICH CASE USERS WILL BE REQUIRED TO CORRECT THE INTERFERENCE AT THEIR OWN EXPENSE.

**WARNING:** CHANGES OR MODIFICATIONS NOT EXPRESSLY APPROVED BY THE PARTY RESPONSIBLE FOR COMPLIANCE COULD VOID THE USER'S AUTHORITY TO OPERATE THE EQUIPMENT. THIS CLASS OF DIGITAL APPARATUS MEETS ALL REQUIREMENTS OF THE CANADIAN INTERFERENCE CAUSING EQUIPMENT REGULATIONS.

## WEEE (Waste Electrical & Electronic Equipment)

### ***Correct Disposal of This Product***

***(Applicable in the European Union and other European countries with separate collection systems)***



This marking shown on the product or its literature, indicates that it should not be disposed with other household wastes at the end of its working life. To prevent possible harm to the environment or human health from uncontrolled waste disposal, please separate this from other types of wastes and recycle it responsibly to promote the sustainable reuse of material resources.

Household users should contact either the retailer where they purchased this product, or their local government office, for details of where and how they can take this item for environmentally safe recycling.

Business users should contact their supplier and check the terms and conditions of the purchase contract. This product should not be mixed with other commercial wastes for disposal.

# Safety Precautions

---

Information contained in this section of the manual serve to prevent accidents and property damage through proper use of the product. Please read the following instructions carefully and follow them at all times.



**Warning** Failure to comply can lead to severe injury or even death.

## Installation

**Make sure to turn off the product before installing it and to use a dedicated power outlet.**

- Presents overheating, fire, and electric shock hazards.

**Do not use the product in an excessively hot (50°C or above), cold (0°C or below), or humid environment.**

- Presents a fire hazard.

**Set up the product in a shaded area providing protection against exposure to direct sunlight and maintain an even ambient temperature. Do not set up the product in the vicinity of heat-generating objects and appliances such as candles and heaters.**

- Presents a fire hazard.

**There are high-voltage components inside the product. Do not attempt to open the cover or disassemble, repair, or modify the product.**

- Presents fire, electric shock, and physical injury hazards.

**Connection ports on the rear of the product protrude out slightly, and placing the back of the product too close to a wall will cause the cables to bend excessively and even break. Maintain a distance of at least 15cm between the back of the product and the wall it faces.**

- Presents fire, electric shock, and physical injury hazards.

**Do not use the product in an particularly humid, dusty, or sooty environment.**

- Presents electric shock and fire hazards.

**Always keep the operating environment clean and free of dust. Use a piece of dry cloth to clean the product. Do not use water, thinner, or organic solvents.**

- Failure to do so can damage the product's finish and presents an electric shock hazard.

## Power

**Voltage fluctuation of the power supply must be within 10% of the voltage rating, and the power outlet must be grounded. Do not plug in electrical appliances such as a hair dryer, iron, and refrigerator into the same power outlet as the product.**

- Presents overheating, fire, and electric shock hazards.

**Do not bend the power cable excessively or place heavy objects on top of it.**

- Presents a fire hazard.

**Do not pull on the power cable or handle the power plug with wet hands. Do not insert the power plug into a loose power outlet.**

- Presents fire and electric shock hazards.

**You may want to install a UPS (Uninterruptible Power Supply) system for safe operation in order to prevent damage caused by an unexpected power stoppage. Any questions concerning UPS, consult your UPS retailer.**

## Product Use

**Do not place a cup or container filled with a liquid on top of the product.**

- The liquid may spill over and damage the product's internals and cause a fire hazard.

**Avoid dangerous situations such as placing the product or its power cable on a humid/wet floor, using an ungrounded extension cord, using a damaged (exposed) power cable, and failing to properly ground the product. Contact the retailer or a specialist if you encounter a problem.**

- Presents fire and electric shock hazards.

**If there is a strange noise or smell coming from the product, unplug the power cable and contact the service center right away.**

- Presents fire and electric shock hazards.



### Caution

**Failure to comply can lead to minor injury and/or product damage.**

## Installation

**Do not set up the product in an area that is exposed or susceptible to strong magnetism, radio waves, and/or impact and avoid setting up the product in the vicinity of wireless transmission devices such as a radio or a television.**

- Set up the product in an area devoid of magnetic objects, radio waves, and vibrations.

**Set up the product in an open and well-ventilated area.**

- Environmental factors greatly affect the product's performance and durability. Allow at least 15cm of clearance behind the product and at least 5cm of clearance on either side of the product.

**Set up the product on a flat and stable surface. Do not stand the product on its side or at an angle.**

- The product may tip over or drop on the floor, which can lead to a malfunction and/or personal injury.

**Ensure the product's power plug is easily accessible.**

- It must be easy to pull out the power plug in the event of a serious malfunction or fire.

**Do not set up the product in an area susceptible to strong impact or vibrations.**

- Failure to do so can cause the product to malfunction.

## Product Use

**Do not allow conductive objects to enter inside the product's ventilation openings.**

- Failure to do so can cause the product to malfunction.

**Do not place heavy objects on top of the product.**

- Failure to do so can cause the product to malfunction.

**Do not unplug the power cable or pick up/move the product while it is in operation.**

- Failure to do so can cause the product to malfunction.

**Always remember to turn off the product before connecting an optical cable.**

**Do not remove the optical cable's rubber cover until it's time to connect it to the product. The cover protects the cable from contamination. Once removed, store it at a safe location for future use.**

**Do not look directly into the tip of the optical cable or the laser beam emitting through it. In addition, do not point the laser at your eyes.**

**Regularly inspect the operating status of the product and contact the retailer or service center right away if any issues are identified.**

# Table of Contents

---

## 1

### **Part 1 - Introduction 8**

Product Features	8
Accessories	10
Overview	10
Front Panel	10
Rear Panel	14

## 2

### **Part 2 - Installation 15**

Tools for Installation	15
Mounting to a Rack (CRIS18 only)	15
Installation	16
Port Connection	17
DirectIP™ NVR Connection	17
DirectIP™ Camera Connection	18
Cascading	19
Port Connection Warnings and Tips	19

## 3

### **Part 3 - Miscellaneous 20**

Troubleshooting	20
Specifications	21

# Part 1 - Introduction

---

## Product Features

This multi-port, DirectIP™-based, and IEEE 802.3af and IEEE 802.3at Power over Ethernet-enabled layer2 fast Ethernet PoE Switch offers the following features:

- **DirectIP™**

- Automatic network IP configuration
- Individual port data transmission to DirectIP™ NVR (Network Video Recorder)

- **PoE**

- IEEE 802.3af/at compliant
- Power to application over Ethernet cabling
- Central power control for greater network utility
- PoE alternate B power supply



Power feeding over 4/5 & 7/8 data twisted.

- **Advanced Interface**

- 100Mbps data transfer rate on service ports
- 1Gbps data transfer rate on uplink ports
- Advanced QoS function: 8 physical queues per port

- **Easu amd useful Management Service**

- Easy network management by SNMP and RMON group management (SNMP v1/v2/v3)
- Multicast management: IGMP v1/v2/v3, MLDv1/2 Snooping

- **Network Security**

- IEEE 802.1x network login
- SSH-encrypted data protection (SSH v1/v2)
- L4-based ACL (Access Control List)

- **L2 Switch Function**

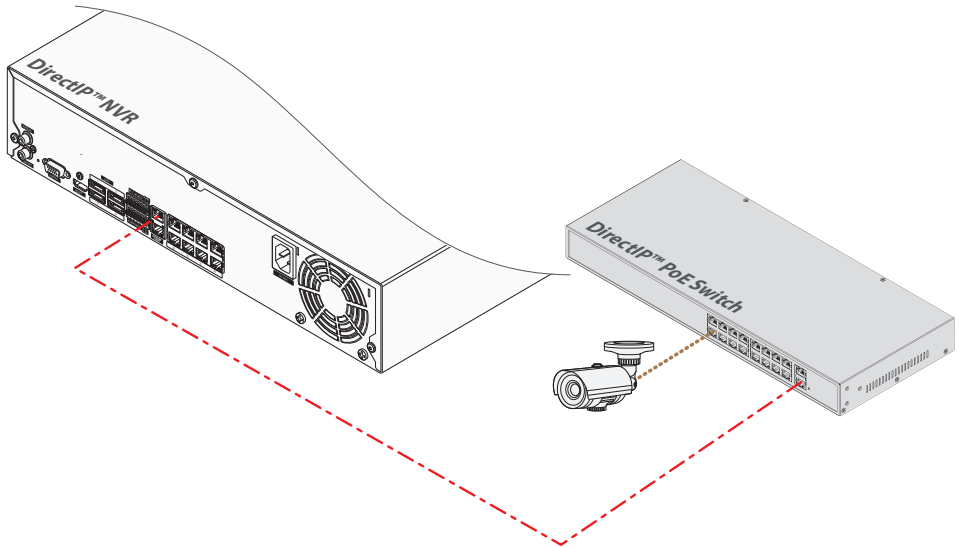
- Standard Ethernet bridge
- VLAN-based port, subnet, protocol, MAC, application
- 8K MAC address entries
- STP, RSTP, MSTP protocol supported
- IEEE 802.3ad link aggregation
- Port Mirroring



This PoE switch is able to provide data and power at the same time to the connected network cameras through Ethernet cables by using PoE-enabled ports. It does not need a separate power outlet for each network camera and it will reduce the installation costs.

This PoE switch provides intelligent services such as QoS, security, ACL (Access Control List), and multicast management to ensure stable network communications and to establish high-performance network.

Two of service ports are RJ-45 connectors that support 10/100/1000 BASE-T without PoE (Power Over Ethernet) function. The other ports are RJ-45 connectors that support 10/100 BASE-TX with PoE function.

### DirectIP™ PoE Switch Connection Diagram



Types of Cables	
	UTP Cable (Data only)
	UTP Cable (Data + PoE)

## Accessories

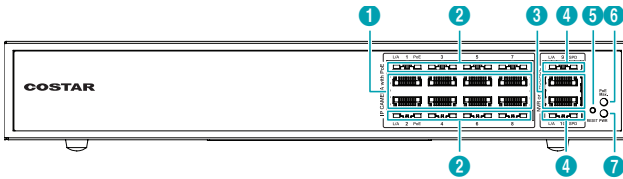
Upon unpackaging the product, check the contents inside to ensure that all the following accessories are included.

- CRIS10/18
- Power Cable
- Installation Manual
- Rack Mount Brackets: 2EA (CRIS18 only)
- Screws (6EA for CRIS18 only)

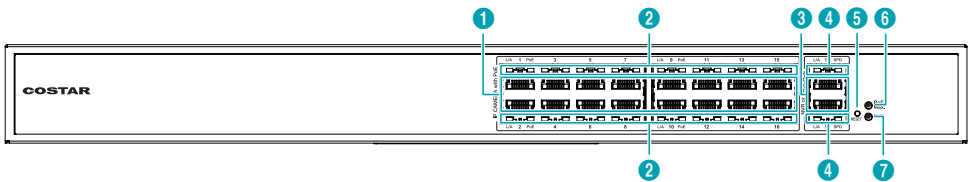
## Overview

### Front Panel

#### CRIS10



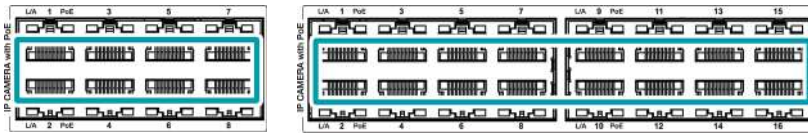
#### CRIS18



1	RJ-45 Service Ports	2	RJ-45 Service Port LEDs	3	RJ-45 Uplink Ports
4	RJ-45 Uplink Port LEDs	5	Reset Switch	6	PoE Max. LED
7	Power LED				

### ① RJ-45 Service Ports

These are PoE-enabled RJ-45 ports. Connect a network camera to one of these ports.



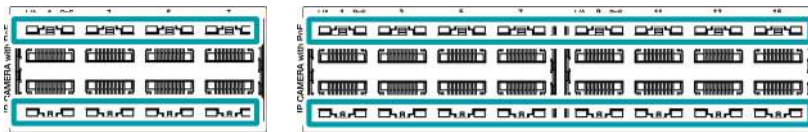
Model	Port Number
CRIS10	1 - 8
CRIS18	1 - 16



- PoE-supported network cameras will receive power over the signal line, without the use of an external power source.
- Each port is enabled with Auto-MDI/MDI-X detection and operates as a 10/100Mbps full/half duplex mode.

### ② RJ-45 Service Port LEDs

These LEDs indicate the status of the RJ-45 service ports.



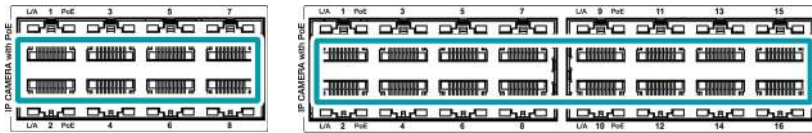
- The LED color indicates connection and communications speeds with the connected device.
- Each LED indicates L/A (network link/activity) or PoE status based on the position of the PoE LED button.

LED Status Indications

Mode	Status	Color	Description
L/A (Link/Activity)	On	Amber	Normal network connection at 10/100Mbps
	Blinking	Amber	Data transmission over the network in progress at 10/100Mbps
	Off	-	No network connection or a problem with the connection
PoE	On	Green	Connected and transmits power over the network normally to an IEEE 802.3af PoE-supported network camera
	Off	-	Not connected to a PoE-supported network camera

③ RJ-45 Uplink Ports

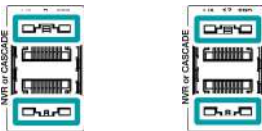
RJ-45 uplink ports are used to connect the switch to a higher tier device. These ports are useful when cascading multiple network devices.



- If not using for uplinking purposes, these ports can be used as service ports, but they do not support PoE.
- Each port is enabled with Auto-MDI/MDI-X detection.
- The ports operate in different modes based on the network speed. (10/100Mbps: full/half duplex, 1000Mbps: full duplex)

⑤ RJ-45 Uplink Port LEDs

These LEDs indicate the status of the RJ-45 uplink ports.



- The LED color indicates connection and communications speeds with the connected device.

## LED Status Indications

Mode	Status	Color	Description
LA (Link/Activity)	On	Amber	Normal network connection at 10/100/1000Mbps
	Blinking	Amber	Data transmission over the network in progress at 10/100/1000Mbps
	Off	-	No network connection or a problem with the connection
SPD (Speed)	On	Green	Normal network connection at 1000Mbps
	Off	-	No network connection or a problem with the connection

### ⑨ Reset Switch

The reset switch, which is located to the left of the Power LED button, is used to reset the product's settings. Pressing the reset switch immediately reboots the product.



If the product does not reboot after pressing the switch, press and hold the switch for 5 seconds. You will need a straightened paper clip to press the reset switch.

### ⑩ PoE Max. LED

PoE Max. LED indicates PoE statuses.

## LED Status Indications

Mode	Status	Color	Description
PoE Max.	On	Red	Power to the connected PoE-supported network camera has reached maximum level allowed
	Blinking	Red	The amount of PoE power that could be supplied to the RJ-45 service ports is not enough to ensure IEEE 802.3af 1 port (15.4W)
	Off	-	Normal to supply power to the PoE-supported network cameras which are connected to the RJ-45 service ports.

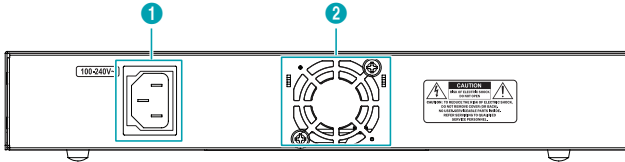
### ⑪ Power LED

Power LED indicates the system's power on/off status.

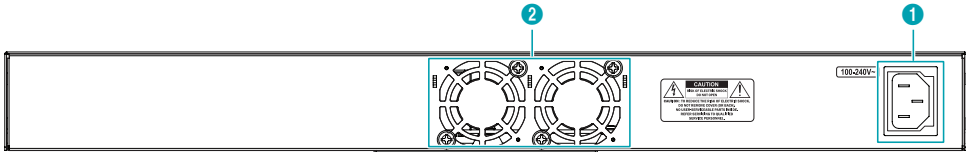
The LED lights up in red to indicate the system is powered on.

## Rear Panel

### CRIS10



### CRIS18



①	Power Connector	②	Vent
---	-----------------	---	------

#### ① Power Connector

Connect the power cable to this connector. This product does not feature a separate power on/off button and will turn on the moment power is supplied.



- Organize the power cable so that it will not cause people to trip over or become damaged from chairs, cabinets, desks, and other objects in the vicinity.
- Do not run the power cable underneath a rug or carpet.
- The power cable is grounded. Its plug, however, should not be modified even if the power outlet does not feature a grounding contact.
- Use a dedicated power outlet.

# Part 2 - Installation

---

## Tools for Installation

Check the following accessories. You will need more tools beside the accessories which are not provided.

- CRIS10/18
- Power Cable
- Installation Manual

Tools for mounting to a rack (CRIS18 only)

- Rack Mount Brackets: 2EA, Screws: 6EA
- Regular headed screwdriver: Medium (0.6 cm/0.24 inch)

Tools for removing top or bottom cover

- Regular headed screwdriver: Small (0.3 cm - 0.12 inch)

## Mounting to a Rack (CRIS18 only)



You may drop the product or be injured while mounting the product to a rack or unmount it. To prevent the damage or injury, please keep the followings:

- If you mount only one product on a rack, mount it at the utmost bottom.
- If you mount more than one product on a rack, mount the heavier product at the bottom.



Make sure that the amount of airflow is enough between the products or with the wall, floor, or ceiling to prevent the product from being overheated.:

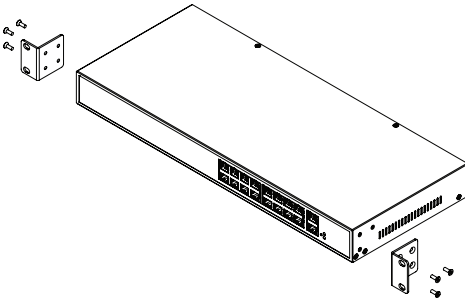


- 6 screws are provided for rack mount bracket. Please keep them in a safe place.
- If a safety base is provided with a rack, you can mount the product more safely and easily by using the safety base.

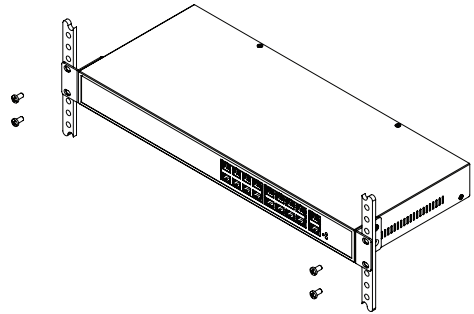
## Part 2 - Installation

### Installation

- 1 Place the product in a even and safe place, and prepare for a regular headed screwdriver of medium size (0.6 cm/0.24 inch)..
- 2 Screw brackets to the two sides (3 points for each) of the front panel by using the provided screws and the prepared regular headed screwdriver of medium size. See the first image below.
- 3 Mount the product to the rack by screwing brackets to the rack by using screws provided with the rack.



Braket to the product



Product to the rack

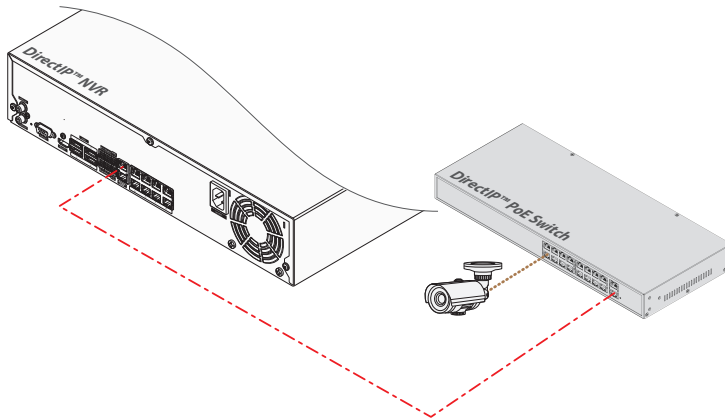
## Port Connection

### DirectIP™ NVR Connection

- 1 Connect the DirectIP™ NVR's **VIDEO IN/Ext.** port to the system's **RJ-45 uplink** port using a UTP cable.
- 2 Check the **RJ-45 uplink** port SPD LED's status and verify that a normal connection has been established.



- If you connect the DirectIP™ NVR's **VIDEO IN/PoE** port to the system's **RJ-45 uplink** port, the network bandwidth may not be enough, and the NVR may not record video normally.
- If the PoE switch is not connected to network connection at 1000Mbps, the network bandwidth may not be enough, and the NVR may not record video normally.

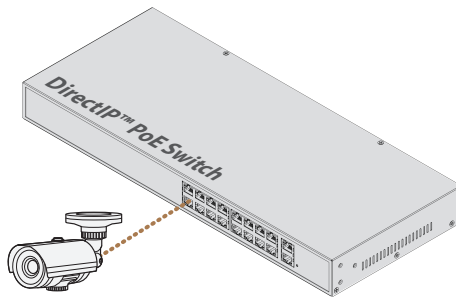


## DirectIP™ Camera Connection

- 1 Connect the system's **RJ-45 service port** to the network camera's **RJ-45 port** using a UTP cable.
- 2 Check the **RJ-45 service port** LED's status and verify that a normal connection has been established.



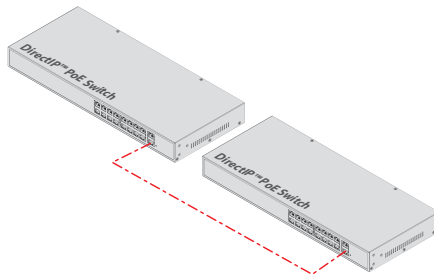
PoE cameras connected to RJ-45 service ports can receive power through the UTP cable.




## Cascading

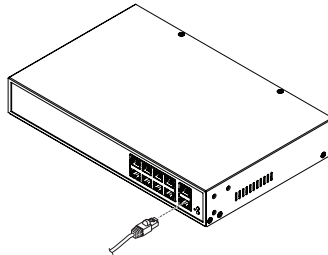
- 1 Connect the **RJ-45 uplink ports** of system 1 and system 2 using a UTP cable.
- 2 Check the **RJ-45 uplink** port SPD LED's status and verify that a normal connection has been established between the two products.

- If the PoE switch is not connected to network connection at 1000Mbps, the network bandwidth may not be enough, and the NVR may not record video normally.



## Port Connection Warnings and Tips

-  Keep the UTP cable length to less than 100m (328 ft).
- Only use category 5 or higher UTP cables with RJ-45 connectors to connect to the system. The system's ports can automatically distinguish between MID and MDIX connectors, so there is no need to use a crossover cable when connecting to a different device's TX port.
- The system's RJ-45 uplink ports may be used as service ports, but they do not support PoE.



[RJ-45 Port Connection]

# Part 3 - Miscellaneous

---

## Troubleshooting

Problem	Check
Power LED will not turn on.	<ul style="list-style-type: none"><li>• Check the power cable.</li><li>• Check the power supply status to the outlet the power cable is connected to.</li></ul>
The system shuts down shortly after powering on.	Check power connection components for electric leakage. <ul style="list-style-type: none"><li>• Check the outlet for electric leakage and current stability.</li><li>• Make sure the system's vents and ports are clean.</li><li>• If the problem persists, it could indicate a problem with the system's internals. Please contact the service center.</li></ul>
The system will not boot up.	Press the reset switch on the front panel and see if the system boots up normally. <ul style="list-style-type: none"><li>• Unplug the power cable and then plug it in again.</li></ul>
The system is unable to recognize network interface.	Check the interface cable and the cable's connection status. <ul style="list-style-type: none"><li>• Check each port's LED.</li></ul>

## Specifications

Model		CRIS10	CRIS18
<b>CPU</b>		Embedded MIPS	
<b>System Memory</b>		256MB SDRAM, 32M Flash	
<b>Switching Capacity</b>		5.6Gbps	7.2Gbps
<b>Copper Service Port</b>		8 RJ-45 Connectors (10/100BASE-T)	16 RJ-45 Connectors (10/100BASE-T)
<b>Copper Uplink Port</b>		2 RJ-45 Connectors (10/100/1000BASE-T)	
<b>Rated Input</b>		AC100-240V, 50/60Hz	AC100-240V, 50/60Hz
<b>Power Consumption</b>		Max. 90W	Max. 160W
<b>PSE Power</b>		Max. 70W	Max. 140W
<b>PoE-supported Standards</b>		IEEE 802.3af-2003 and IEEE 802.3at-2009	
<b>PoE-supported Network Camera Connection</b>		Up to 8 IEEE 802.3af cameras or 2 IEEE 802.3at cameras	Up to 16 IEEE 802.3af cameras or 4 IEEE802.3at cameras
<b>Environmental Conditions</b>	<b>Operating Temperature</b>	0°C - 40°C (32°F - 104°F)	
	<b>Operating Humidity</b>	10 ~ 90%	
	<b>Storage Temperature</b>	30°C - 60°C (-22°F - 140°F)	
<b>Dimensions (W1 x H x D)</b>		280mm x 44mm x 180mm (11.02" x 1.73" x 7.09")	430mm x 44mm x 180mm (16.93" x 1.73" x 7.09")
<b>Weight (Main Unit)</b>		1.35Kg (2.98 lbs.)	2.05Kg (4.52 lbs.)
<b>Weight (Packaging)</b>		2.1Kg (4.63 lbs.)	3.1Kg (6.83 lbs.)
<b>Electrical Approvals</b>		FCC, UL, CE, CB, KC	
<b>IEEE Standards</b>		IEEE 802.3 10BASE-T [1], IEEE 802.3u 100BASE-TX [2], IEEE 802.3ab 1000BASE-T, IEEE 802.3ad Link Aggregation, IEEE 802.3x Flow Control Support, IEEE 802.1p Priority Support, IEEE 802.1D (Bridging) 1993, IEEE 802.1w Rapid Spanning Tree	
<b>Internet Standards</b>		RFC 3635 Ethernet-like MIB, RFC2863 Interface Group MIB , RFC 2819 RMON, RFC 1493 Bridge MIB, RFC 2674 Bridge MIB extension	



- Dimensional width is exclusive of rack-mounting wings.
- These product specifications may change without prior notice.

**COSTAR**

**COSTAR VIDEO SYSTEMS**

101 Wrangler, Suite 201 Coppel, Texas 75019

Phone: (469) 635-6800 Fax: (469) 635-6822

Toll-free: (888) 694-7827