

# TEST REPORT



## CTK Co., Ltd.

(Ho-dong), 113, Yejik-ro, Cheoin-gu, Yongin-si,  
Gyeonggi-do, 449-100, Korea  
Tel: +82-31-339-9970  
Fax: +82-31-624-9501

REPORT No.:

CTK-2025-00791

Page (1) / (14) pages

### 1. Applicant

- Name : Hanwha Vision Co., Ltd
- Address : 6 Pangyo-ro 319Beon-gil, Bundang-gu, Seongnam-si, Gyeonggi-do, 13488 Republic of Korea
- Date of Receipt : Nov. 08, 2024

### 2. Manufacturer

- Name : Hanwha Vision Co., Ltd

### 3. Use of Report :

For submission to customer

### 4. Test sample / Model :

NETWORK THERMAL CAMERA / TNM-C2722TDR

### 5. Date(s) of test :

Nov. 25, 2024 ~ Nov. 27, 2024

### 6. Test Standard (Method) used :

IEC 60529:1989 +A1:1999+A2:2013

### 7. Testing Environment :

Temperature: (25 ±10) °C, Humidity: (50 ±25) % R.H.

Pressure: (96 ±10) kPa

### 8. Test Results :

Refer to the test results

### 9. Location of Test :

Permanent Testing Lab  On Site Testing

(5 Dongbu-ro 221beon-gil, Cheoin-gu, Yongin-si, Gyeonggi-do, Republic of Korea)

The results shown in this test report refer only to the sample(s) tested unless otherwise stated.  
This report cannot be reproduced or copied without the written consent of CTK.

Approval	Tested by	Technical Manager
	Name: KyuNam Park (Signature)	Name: HoHyun Lee (Signature)

Remark. This report is not related to KOLAS accreditation and relevant regulation.

Dec. 23, 2024

CTK Co., Ltd.




**CTK Co., Ltd.**

(Ho-dong), 113, Yejik-ro, Cheoin-gu, Yongin-si,  
Gyeonggi-do, 449-100, Korea  
Tel: +82-31-339-9970  
Fax: +82-31-624-9501

REPORT No. :  
CTK-2025-00791  
Page (2) / (14) pages

## Table of Contents

1. Testing laboratory	3
1.1 Testing laboratory information	3
1.2 Testing laboratory accreditation status	3
2. Product description and equipment information	3
2.1 Product description	3
2.2 Model description	4
2.3 Equipment information	4
2.4 Pre-test product images	5
2.5 Testing equipment images	6
2.6 Product appearance	7
3. Degrees of protection provided by enclosures (IP code)	8
3.1 Test date and environmental conditions	8
3.2 Test conditions and methods	8
3.3 Testing images	10
4. Test result	12
4.1 Test result table	12
4.2 Post-test product images	13


	<b>CTK Co., Ltd.</b> (Ho-dong), 113, Yejik-ro, Cheoin-gu, Yongin-si, Gyeonggi-do, 449-100, Korea Tel: +82-31-339-9970 Fax: +82-31-624-9501	REPORT No. : CTK-2025-00791 Page (3) / (14) pages	
---	--	---	--

## 1. Testing laboratory

### 1.1 Testing laboratory information

Lab. Name	CTK Co., Ltd.
CEO	Joseph Young
Address	113, Yejik-ro, Cheoin-gu, Yongin-si, Gyeonggi-do Republic of Korea
Tel.	+82-31-339-9970
Fax.	+82-31-624-9501
E-Mail	<a href="mailto:all.youngin@element.com">all.youngin@element.com</a>
Website	<a href="http://www.elementkorea.kr">www.elementkorea.kr</a>

### 1.2 Testing laboratory accreditation status

Country	Classification	Accreditation Number	Logo
International	KOLAS	TESTING NO. KT119	

## 2. Product description and equipment information

### 2.1 Product description

Product Name	Model Name	Quantity	Comment
NETWORK THERMAL CAMERA	TNM-C2722TDR	1 EA	-

**CTK Co., Ltd.**

(Ho-dong), 113, Yejik-ro, Cheoin-gu, Yongin-si,  
Gyeonggi-do, 449-100, Korea  
Tel: +82-31-339-9970  
Fax: +82-31-624-9501

REPORT No. :  
CTK-2025-00791  
Page (4) / (14) pages

## 2.2 Model description

Basic Model .....	TNM-C2722TDR
Series model .....	TNM-C2712TDR
Model differences .....	Use of the same external shape and materials (case, finishing material, PCB, cable, etc.), differences in fixed lens inside the product.

## 2.3 Equipment information

Testing equipment	Model Name	Manufacturer	Manufacturing Number	Calibration Date
Stop Watch	NONE	Casio	612Q01R-1	2026-01-23
Push Pull Gage	FB30K	Imada	83805	2025-01-23
Test Rod Probe Ø1.0	TRP-02	ED&D	S1-J15	2027-05-16
Dust Chamber	NONE	JFM	S3-IP36	2025-03-28
Immersion tank	Cage for IPX7 / IPX8	Kingpo	-	-
Steel measuring meter	5.5 m	KOMELON	225851	2025-03-27



## CTK Co., Ltd.

(Ho-dong), 113, Yejik-ro, Cheoin-gu, Yongin-si,  
Gyeonggi-do, 449-100, Korea  
Tel: +82-31-339-9970  
Fax: +82-31-624-9501

REPORT No. :  
CTK-2025-00791  
Page (5) / (14) pages

## 2.4 Pre-test product images

### 2.4.1 Test sample



Top



Bottom



Front



Rear



Left side



Right side



## CTK Co., Ltd.

(Ho-dong), 113, Yejik-ro, Cheoin-gu, Yongin-si,  
Gyeonggi-do, 449-100, Korea  
Tel: +82-31-339-9970  
Fax: +82-31-624-9501

REPORT No. :  
CTK-2025-00791  
Page (6) / (14) pages

## 2.5 Testing equipment images

### 2.5.1 Test equipment



Push Pull Gage



Test Rod Probe Ø1.0



Dust Chamber



Immersion tank



Steel measuring meter



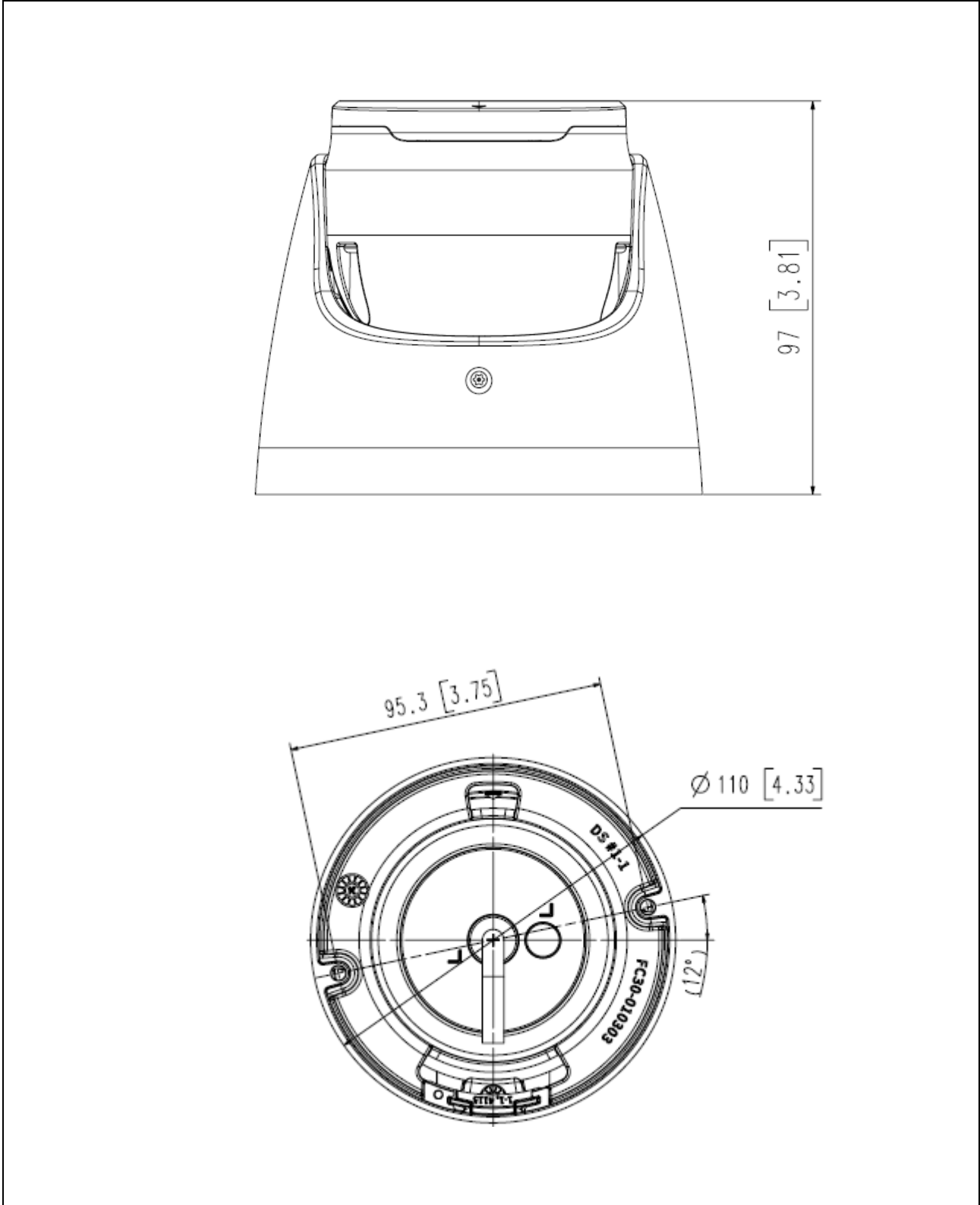
## CTK Co., Ltd.

(Ho-dong), 113, Yejik-ro, Cheoin-gu, Yongin-si,  
Gyeonggi-do, 449-100, Korea  
Tel: +82-31-339-9970  
Fax: +82-31-624-9501

REPORT No. :  
CTK-2025-00791  
Page (7) / (14) pages

## 2.6 Product appearance

Enclosure dimensions [unit : mm]





**CTK Co., Ltd.**

(Ho-dong), 113, Yejik-ro, Cheoin-gu, Yongin-si,  
Gyeonggi-do, 449-100, Korea  
Tel: +82-31-339-9970  
Fax: +82-31-624-9501

REPORT No. :  
CTK-2025-00791  
Page (8) / (14) pages

**3. Degrees of protection provided by enclosures (IP code)**

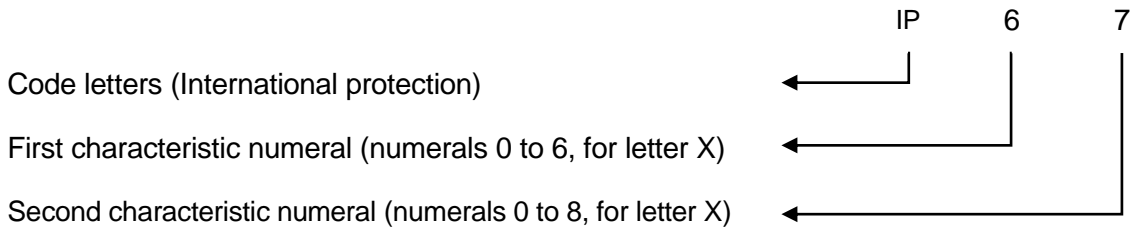
**3.1 Test date and environmental conditions**

- 3.1.1 Test date: Nov. 25, 2024 ~ Nov. 27, 2024
- 3.1.2 Measured Environmental Conditions

Item	Temperature (°C)	Humidity (% R.H.)	Pressure (kPa)
Measurement	24.8	44.7	99.6

**3.2 Test conditions and methods**

- 3.2.1 Test standard: IEC 60529:1989+A1:1999+A2:2013
- 3.2.2 Arrangement of the IP code



**3.2.2.1 Degree of protection against access to hazardous parts indicated by the first characteristic numeral**

First characteristic numeral	Degree of protection	Application
6	Protected against access to hazardous parts with a wire. The access probe of 1.0 mmØ, shall not penetrate. Test force: 1 N ± 10 %	<input checked="" type="checkbox"/>

NOTE In the case of the first characteristic numerals 3, 4, 5 and 6, protection against access to hazardous parts is satisfied if adequate clearance is kept. The adequate clearance should be specified by the relevant product committee in accordance with 12.3.  
Due to the simultaneous requirement specified in table 2, the definition “shall not penetrate” is given in table 1.



**CTK Co., Ltd.**

(Ho-dong), 113, Yejik-ro, Cheoin-gu, Yongin-si,  
Gyeonggi-do, 449-100, Korea  
Tel: +82-31-339-9970  
Fax: +82-31-624-9501

REPORT No. :  
CTK-2025-00791  
Page (9) / (14) pages

3.2.2.2 Degree of protection against solid foreign objects indicated by the first characteristic numeral

First characteristic numeral	Degree of protection	Application
6	<p>In Dust Testing Equipment, the test sample must have no ingress of dust after testing atmospheric pressure present condition for 8 h.</p> <p>(The talcum powder must pass through a calibrated sieve with a 50 µm wire mesh, spaced at 75 µm intervals in a square pattern. Additionally, the bulk density of the talcum powder should be 2 kg/m<sup>3</sup>)</p> <p>Products in volume .....: <b>879.78 cm<sup>3</sup> → 0.88 L</b></p> <p>Target intake volume (Products in volume 80) : <b>70.38 L</b></p> <p>Suction volume (Max product in volume 60) ...: <b>52.79 LPH → 0.88 LPM</b></p> <p>Actual Suction volume .....: <b>0.88 L</b></p> <p>Suction pressure (Up to 2 kPa) .....: <b>1.76 kPa</b></p> <p>Test time (Up to 8 time) .....: <b>8 hr</b></p>	☒

<sup>1)</sup> The full diameter of the object probe shall not pass through an opening of the enclosure. Due to the simultaneous requirement specified in table 2, the definition “shall not penetrate” is given in table 1.

3.2.2.3 Degree of protection against water indicated by the second characteristic numeral

Second characteristic numeral	Degrees of protection	Application
7	<p>Sink the product in the water by the Pressure and Time according to regulation and the product must not be harmed.</p> <p>Immersion tank water-level on enclosure with:</p> <p><input type="checkbox"/> height equal to or greater than 850 mm: the highest point of enclosures located 0.15 m below the surface of the water</p> <p><input checked="" type="checkbox"/> height less than 850 mm: the lowest point of enclosures located 1 m below the surface of the water</p> <p>Duration of test: 30 min</p>	☒



**CTK Co., Ltd.**

(Ho-dong), 113, Yejik-ro, Cheoin-gu, Yongin-si,  
Gyeonggi-do, 449-100, Korea  
Tel: +82-31-339-9970  
Fax: +82-31-624-9501

REPORT No. :  
CTK-2025-00791  
Page (10) / (14) pages

**3.3 Testing images**

3.3.1 Evidence of test setting (1)



Probe test



Probe test



Probe test



Probe test



Probe test



Probe test



**CTK Co., Ltd.**

(Ho-dong), 113, Yejik-ro, Cheoin-gu, Yongin-si,  
Gyeonggi-do, 449-100, Korea  
Tel: +82-31-339-9970  
Fax: +82-31-624-9501

REPORT No. :  
CTK-2025-00791  
Page (11) / (14) pages

### 3.3.2 Evidence of test setting (2)



Dust test



Dust test



Dust test Monitor



Digital Vacuum Pressure



Water test



Water test

**CTK Co., Ltd.**

(Ho-dong), 113, Yejik-ro, Cheoin-gu, Yongin-si,  
Gyeonggi-do, 449-100, Korea  
Tel: +82-31-339-9970  
Fax: +82-31-624-9501

REPORT No. :  
CTK-2025-00791  
Page (12) / (14) pages

## 4. Test result

### 4.1 Test result table

IP code	Evaluation Criteria	Test Results	Remark
IP 6X	No ingress of Probe	Normal	-
	No ingress of dust	Normal	-
IP X7	No ingress of water	Normal	-

※ Refer to the product photos after the completion of testing in section 4.2.



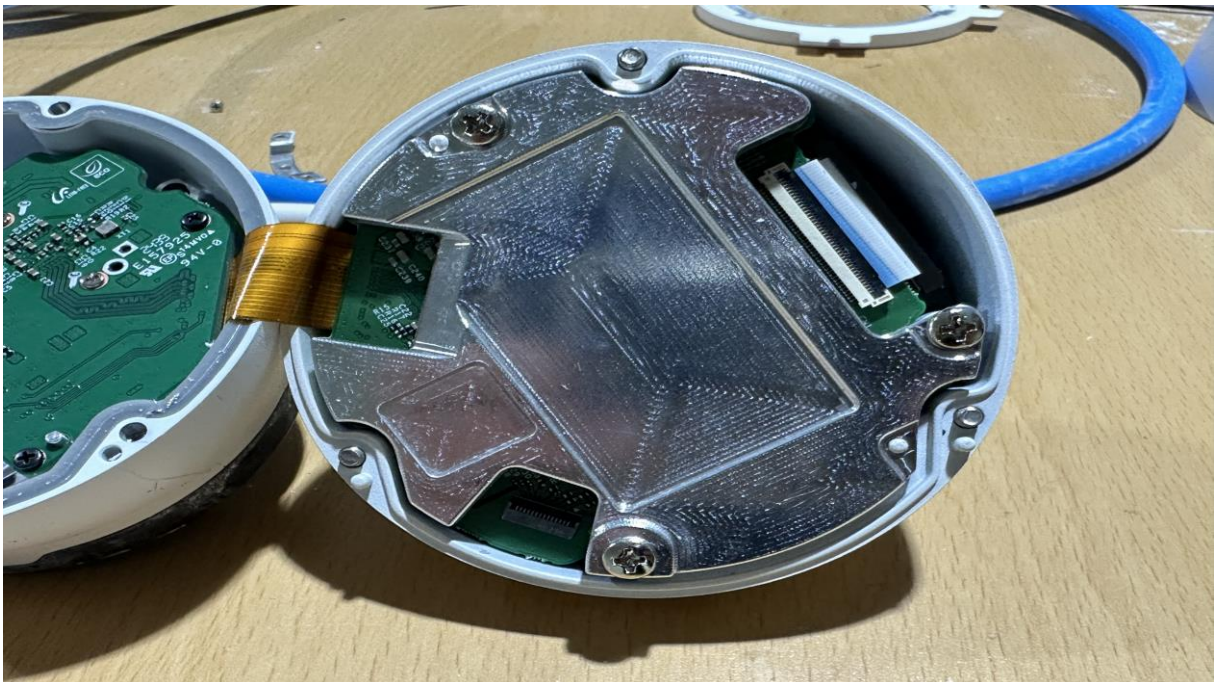
## CTK Co., Ltd.

(Ho-dong), 113, Yejik-ro, Cheoin-gu, Yongin-si,  
Gyeonggi-do, 449-100, Korea  
Tel: +82-31-339-9970  
Fax: +82-31-624-9501

REPORT No. :  
CTK-2025-00791  
Page (13) / (14) pages

### 4.2 Post-test product images

#### 4.2.1 Product internal images after test [The first characteristic numeral test]



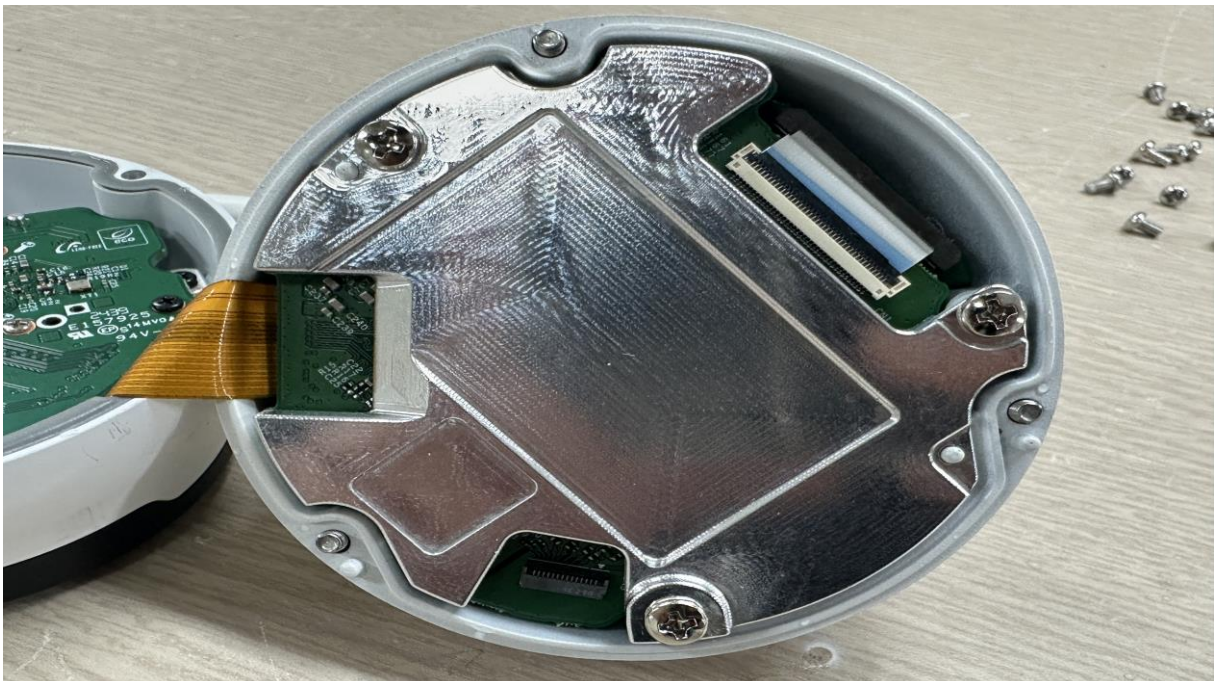


**CTK Co., Ltd.**

(Ho-dong), 113, Yejik-ro, Cheoin-gu, Yongin-si,  
Gyeonggi-do, 449-100, Korea  
Tel: +82-31-339-9970  
Fax: +82-31-624-9501

REPORT No. :  
CTK-2025-00791  
Page (14) / (14) pages

4.2.2 Product internal images after test [The second characteristic numeral test]



- End -