

DL-855P22B

5MP Starlight Fixed Lens Facial Recognition Dome IP Camera



- 1/2.8" 5MP Sony STARVIS CMOS sensor
- H.265+ triple-stream encoding
- High-quality optical lens: 3.6mm
- 30m IR effective range
- Built-in PoE
- An embedded facial recognition algorithm
- Capacity of 2,000 face templates in the camera
- White/Black-list alarm deployment
- Intelligent video analytics available
- Multiple web browsers supported
- Remote viewing with mobile application or VMS
- Lightning protection up to 6KV
- IP67 metal casing



System Overview

Powered by Sony STARVIS's sensor providing excellent night vision, couple with true WDR and cutting-edge technology, the BioPro series of 5MP starlight IP cameras is a professional project-oriented solution for ideal images and video surveillance in indoor and outdoor environments from day to night.

With embedded facial recognition algorithm, cameras of the BioPro series could accurately capture and compare the acquired face data with face templates stored in the database. It also supports White/Black list event alarm deployment in different scenarios.

The BioPro series also offers multiple industry-leading Intelligent video analytic functions, such as Face Detection, Line Crossing, Intrusion, Object Left/Lost, Counting. for smart event alarms.

Cloud function is built-in for every device which is more convenient and flexible for remote real-time viewing. The BioPro series 5MP IP cameras also supports registration of face templates remotely from the mobile Application AntarView Pro which provides great convenient user experience.

Functions

H.265+

H.265+ technology is an evolutionary optimization of H.265 and the traditional H.264. It includes a series of encoding strategies such as dynamic ROI, smart 2D&3D noise reduction for delivering high-quality videos, and significantly saving up to 70% bandwidth and storage.

Protection

With its precise mechanical and rugged metal casing design, IP cameras of the BioPro series rated IP67 could stand against water and dust for a long time.

With 10% of input voltage tolerance, the cameras could work safely under extreme or unstable power conditions.

With a working temperature range from -30°C to 60°C, the cameras could adapt to a variety of harsh outdoor environments.

Technical Parameters

Camera			
Model	DL-855P22B	Flash / DDR	1Gb / 4Gb
Image Sensor	1/2.8" SONY CMOS	IR LED No.	4
Effective Pixels	2592*1944	IR Distance	30m
Min. Illumination	Color: 0.01Lux@F1.2 (AGC ON) B/W: 0.001Lux@F1.2 (AGC ON)	S/N Ratio	>52dB
Lens			
Lens Type	Fixed	Aperture	F2.0
Mount Type	Board-in	FOV	87°
Focal Length	3.6mm	Optical Zoom	N/A
Video			
Compression	H.265+ / H.265 / H.264	WDR	TWDR
Resolution	5MP (2592 × 1944) / 4MP (2592 × 1520) / 3MP (2304 × 1296) / 1080P (1920 × 1080) / 1.3MP (1280 × 960) / 720P (1280 × 720)	Day / Night	Support
Bitrate Control	CBR / VBR	White Balance	Support
Bitrate	16Mbps ~ 20Mbps	Defog	N/A
Multi-Streaming	Main Stream: 5M@25fps / 4MP@25fps / 3MP@25fps / 2MP@25fps	Noise Reduction	2D/3D DNR
	Sub Stream: 720P@25fps / D1@25fps / VGA@25fps / CIF@25fps	Mirror/Flip	Support
	Third Stream: 720P@25fps / D1@25fps / VGA@25fps / CIF@25fps	Corridor Mode	Support
Motion Detection	Support	HLC	Support
Digital Zoom	Support	BLC	N/A
Audio Compression	G7.11u	ROI	4 areas
Privacy Mask	5 areas	Anti-flicker	Support
IVA			
Intelligent Video	Facial Recognition / Line Crossing/Intrusion / Object Left / Lost / Counting / Video Tampering / Fire Detection / Abnormal Sound / VQA		
Facial Recognition			
Face Templates	2,000	Face Quality Filtering	Support
Face Detected Per Frame	30	Detection Area	User-defined
Detected Face Size	80x80 ~ 300x300 Pixels	Capture Response	≤1s

DL-855P22B

Network

Protocol	TCP/IP, UDP, HTTP, DHCP, RTSP, DDNS, NTP, PPPoE, UPnP, SMTP	Management Software (VMS)	AntarVis 2.0 ZKBioSecurity IVS ZKBioAccess IVS
Interoperability	ONVIF Profile S, SDK, API	Operation System	Windows
Max. Online Users	5	Mobile APP	AntarView Pro
Web Browser	IE / Firefox / Chrome / Safari	P2P Cloud Service	Support

Note: Video streaming is not available for Firefox/Chrome/Safari

Interface

Ethernet	1 RJ-45 port (10/100Mbps)	Reset Button	N/A
Audio I/O	1/1	Micro-SD Slot	N/A
Alarm I/O	N/A	ANR	N/A
RS485	N/A	USB	N/A

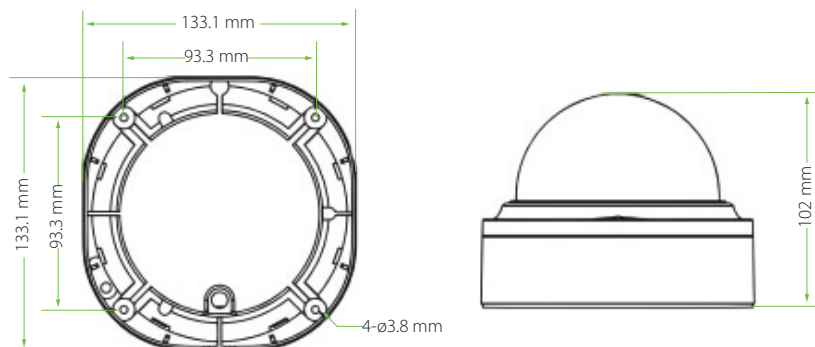
General

Power Supply	PoE (IEEE802.3af), DC 12V±10%	Working Temperature	-30°C ~ 60°C
Power Consumption	<3W	Working Humidity	10% ~ 90%
Ingress Protection	IP67	Net Weight	0.50kg
Dimensions	Φ102 * 93.2 (mm)	Gross Weight	0.70kg

Order Information

Camera	Model	Description
5MP Camera	DL-855P22B	5MP Starlight Fixed Lens Facial Recognition Dome IP Camera

Dimensions (mm)



1600 Union Hill Rd, Alpharetta, GA 30005

Phone: (862) 505-2101 • Fax: (862) 204-5906 • sales@zktcouusa.com • www.zktcouusa.com

© Copyright 2020. ZKTeco Inc. ZKTeco Logo and ZKTeco USA Logo have registered trademarks of ZKTeco or a related company. All other product and company names mentioned are used for identification purposes only and may be trademarks of their respective owners. All specifications are subject to change without notice. All rights reserved.