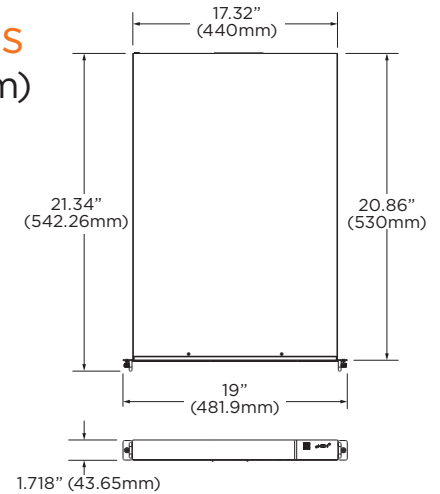




Dimensions Unit: inch (mm)



Summary

Blackjack[®] P-Rack[™] servers can record and manage single- and multi-sensor IP cameras of any resolution, with an equivalent capacity of up to 64 2.1MP cameras at 30fps and a maximum of 360Mbps throughput. Standard features include Intel[®] i5[®], Windows[®] 10 IoT or Linux[®] Ubuntu[®] OS and 2x NIC cards. Blackjack[®] P-Rack[™] servers can be configured with 10-30TB HDD and come with our 5 year limited warranty.

Features

- Supports All ONVIF conformant IP cameras
- Storage options 10-30TB internal storage
- Record and manage single- and multi-sensor IP cameras of any resolution up to 64 2.1MP cameras at 30fps and a maximum of 360Mbps throughput
- True HD, VGA and DVI local monitoring outputs ports
- Dual network ports
- Windows[®] 10 IoT or Linux[®] Ubuntu[®] 16.04 OS on separate SSD
- USB interface
- Hosting DW Spectrum[®] IPVMS for setup, configuration, monitoring and recording
- One-time recording license charge, fully transferable between cameras and encoders
- One (1) DW Spectrum[®] IPVMS 4-channel licenses included (DW-SPECTRUMLS004)
- No annual maintenance fees
- Simple enterprise scalability
- Auto device discovery
- Dual stream recording
- Rail kit Included
- USB mouse and keyboard included
- Designed, assembled and tested in the U.S.A.
- 5 years limited warranty

Specifications



MODEL	DW-BJP1UxT / DW-BJP1UxT-LX	
Maximum IP cameras	64	
Included IP licenses	4	
Form factor	1U rack mount	
Operating system		Windows [®] 10 IoT (DW-BJP1UxT) Linux Ubuntu [®] (DW-BJP1UxT-LX)
	OS on SSD	150GB SSD
CPU		Intel [®] i5 [®] processor
		Option: DW-CPUi7 - upgrade processor to i7*
Memory	16GB	
NIC	2x gigabit ethernet (RJ45)	
System	Max video storage rate (Mbps)	360 Mbps
	Maximum HDDs	3 x SATA HDD
Storage	Maximum storage	30TB
	Outputs	True HD output or VGA or DVI
Video-out	Video card	GeForce 210 512MB Option: DW-RV4H - 4 head HD video card*
	Resolution	HD 1080p
Pre-loaded VMS software	DW Spectrum [®] IPVMS	
Unlimited remote clients	Cross platform - Windows [®] , Linux [®] and Mac [®]	
Mobile apps	iOS [®] and Android [®]	
DW Spectrum [®] IP video management software	Industries most powerful VMS engine - with Intelligent HD dual stream management	
	Automatic camera discovery - auto-detect and connect to 1,000s of supported IP cameras at every resolution ONVIF Profile S conformant	
	Alarm input / relay output and audio recording supported	
Keyboard & mouse	Included	
Railkit	Included	
Power	300W**	
	AC input: 100-240V 47-63Hz 4.5-2A	
Voltage	DC output: 300W + 5V 18A +12V 24A +3.3V 0-17A -12V 0-0.3A +5VSB 0-2.5A +5V and +3.3V total Max: 120W	
	Operating temperature and humidity	
Operating temperature and humidity	5-40 °C / 20-90% RH	
Dimension (WxDxH)	17.32" x 20.86" x 1.718" (440 x 530 x 43.65 mm)	
Warranty	5 year limited	

* Available at time of initial order only.
** UPS Recommended

Designed, Assembled and Tested in the U.S.A.