

## Summary

The Compressor™ (CP-04) analog to IP signal encoder converts four (4) analog cameras into IP streams at D1 resolution. The Compressor™ is fully integrated with DW Spectrum® IPVMS. The Compressor™ is an affordable solution for applications with both analog and IP systems, boosting them to an IP level of capabilities.

## Features

- The most cost-effective path to IP
- Full control over any analog camera connected to your network, including fixed and pan-tilt-zoom (PTZ)
- Connect your analog cameras to DW Spectrum® IPVMS
- Convert up to 4 analog cameras to an IP video signal
- Real-time 120fps at D1 resolution output
- Works with DW Spectrum® IPVMS recording license (needs qty 4 DW-SPCP04LSC004, sold separately)
- Motion detection
- Two-way audio
- Micro card slot for emergency recording (card not included)
- 2x RS-485 interface for PTZ control
- RS-232 interface for PTZ control
- Search and playback from DW Spectrum® IPVMS
- Frame rate and bandwidth control
- 4 alarm inputs, 4 alarm outputs
- Event notifications via e-mail with image
- PSIA (v1.0) conformant
- ONVIF conformant, Profile S

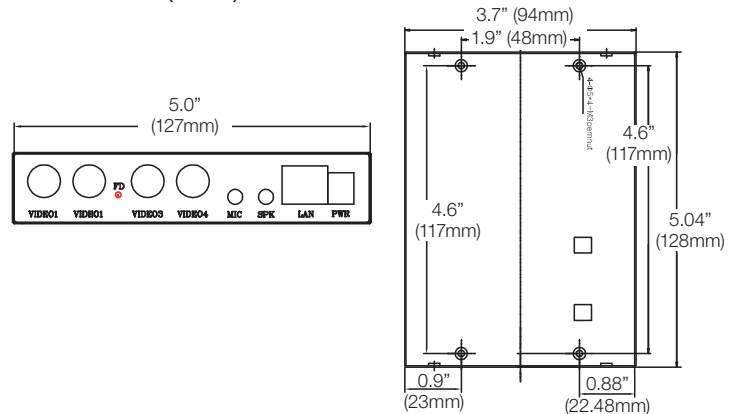
## Accessories (Optional)



DW-C19E  
Rack mount for 4CH encoder, up to 2 units per rack, up to 8CH per rack.

## Dimensions

Unit: inch (mm)



## Specifications



VIDEO			
Video input	Signal type	CVBS analog signal up to 960H	
	CH#	4CH	
Compression	H.264 or MJPEG		
Resolution	D1 (704 x 480)		
Framerate & resolution	Max 120fps at D1 (704 x 480)		
PERFORMANCE			
Interface	Audio input and output	1 audio input 1 audio output	
	Audio codec	8bit G.711, 8Khz, 8KByte/sec	
	Alarm input	4 alarm inputs	
	Alarm output	4 alarm outputs	
	RS-485 / RS-232 / UTC		1x RS-232 for UART device control 1x RS-485 port PTZ support
			Pelco D, Samsung and Honeywell PTZ
	Storage	Micro SDHC for onboard storage (up to 32GB) card not included	
Features	Motion detection	Yes	
	Alarm management	Video loss, video recovered, motion detection, alarm, activation, reboot complete, serial input, schedule alarm report	
	Notifications	E-mail & FTP notifications with image attached (including pre & post alarm buffering)	
	Security	Channel-based user password protection for live video, PTZ, alarm output, and audio options	
NETWORK			
Network connection	Ethernet (1x Megabit 10/100 base-T)		
Streaming	Transmission speed live	120fps @ D1 (704 x 480)	
	Protocols	HTTP, RTP/RTSP, TCP/IP, FTP, Telnet, RARP, PPPoE, SNMP, PAP, CHAP, DHCP, NTP, SMTP client, uPNP	
Access	Web viewer	Internet Explorer® 6 or higher with live view and remote setup. Minimum PC requirements: - Windows XP or higher - Pentium4, 2GHz, 2G (RAM) - 256MB RAM Video card, 1024 x 786	
		Software	DW Spectrum® IPVMS
GENERAL			
Operating temperature	14°F ~ 122°F (-10°C ~ 50°C)		
Operating humidity	Less than 90% (non-condensing)		
Other certifications	CE, FCC, UL		
Electrical	Power requirement	12V (1A) [AC100~240V, 50/60Hz, 300mA]	
	Power consumption	600mA	
Dimensions	5.82" x 4.64" x 0.98" in (148 x 118 x 25 mm)		
Weight	0.55lbs (0.25 kg)		