

Triple wall-mount bracket for LED illuminators

DW-ILWM3



WHAT'S IN THE BOX

1x triple mount bracket

6x M6 serrated flanged nut

6x M6 x 0.47" (12mm) bolt

1x quick setup guide

NOTE: Download all your support materials and tools in one place.

1. Go to: <http://www.digital-watchdog.com/resources>.
2. Search for your product by entering the part number in the 'Search by Product' search bar. Results for applicable part numbers will populate automatically based on the part number you enter.
3. Click 'Search'. All supported materials, including manuals and quick start guide (QSGs) will appear in the results.



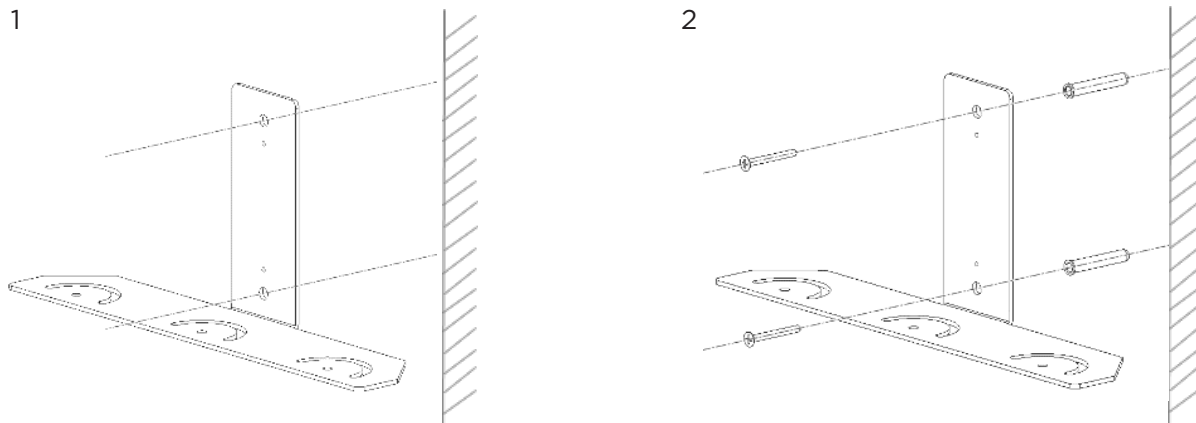
Attention: This document is intended to serve as a quick reference for initial set up.

It is recommended that the user read the entire instruction manual for complete and proper installation and usage.

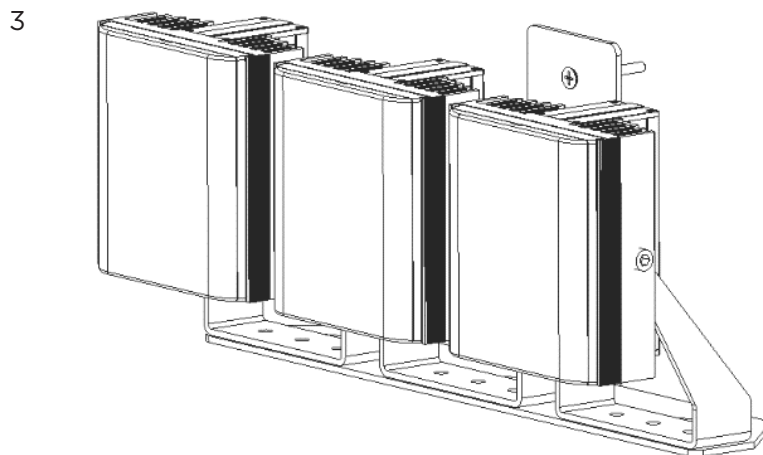
INSTALLING THE MOUNTING ACCESSORY

Attach the wall mount bracket to the structure using suitable tapping screws (PLASTIC ANCHOR, PTS1 M8x40L) as illustrated in the figure. The wall bracket must be attached to a structure such as hardwood, wall stud, concrete or a suitable material capable of supporting the final mount assembly. The installer may need to change the method of mounting or hardware used depending on the wall material.

LED ILLUMINATOR INSTALLATION WITH SINGLE WALL MOUNT BRACKET



Use the bracket as a template to mark and drill the necessary holes in the wall. *NOTE: wall anchors are for illustration only, and are not included.



With the bracket secured to the wall attach the illuminators with the supplied M6 nuts and bolts. For each illuminator attach the center bolt first then rotate the illuminators to the required horizontal position, then secure with the remaining nut and bold in one of the outer holes.

Vertical adjustment can be made via the two hex bolts on each side of the illuminator.

- NOTE:** Recommended fasteners (not included):
- Head size: minimum 0.6"
 - Screw or bolt diameter: maximum 0.5"
 - Fastener strength: minimum 10 lb.