



MEGAPIX® IVA+™ models	5MP models	2.1MP/1080p models
DWC-MPV75Wi28TW DWC-MPV75Wi4TW DWC-MPV75Wi6TW DWC-MPV72Wi28ATW DWC-MPV72Wi4ATW DWC-MPV72Wi28TW DWC-MPV72Wi4TW DWC-MPV72Wi6TW	DWC-MV75Wi28TW DWC-MV75Wi4TW DWC-MV75Wi6TW	DWC-MV72Wi28ATW DWC-MV72Wi4ATW DWC-MV72Wi28TW DWC-MV72Wi4TW DWC-MV72Wi6TW DWC-MV72Di4TW DWC-MV72Di28TW



**Default Login Information: admin | admin**

When logging into the camera for the first time, you will be prompted to set up a new password. You can set the new password using the DW® IP Finder™ software or directly from the camera's browser menu.

**WHAT'S IN THE BOX**

Quick Setup and Installation Guide		1 set	Bolt and Nuts 2pcs		1 set
Mounting Templates		1	Screws and Plastic Anchors - 2pcs		1 set
Waterproof Cap and Rubber Rings (Black: ø0.15" (ø4mm), White: ø0.19" (ø5mm))		1 set	Star Wrench		1

**NOTE:** Download all your support materials and tools in one place

- Go to: <http://www.digital-watchdog.com/resources>
- Search your product by entering the part number in the 'Search by Product' search bar. Results for applicable part numbers will populate automatically based on the part number you enter.
- Click 'Search'. All supported materials, including manuals and quick start guide (QSGs) will appear in the results.



**Attention:** This document is intended to serve as a quick reference for the initial set-up. It is recommended that the user read the entire instruction manual for complete and proper installation and usage.

Tel: +1 (866) 446-3595 / (813) 888-9555

[digital-watchdog.com](http://digital-watchdog.com)

Technical Support Hours:  
9:00 AM - 8:00 PM EST, Monday through Friday

**STEP 1 - PREPARING TO MOUNT THE CAMERA**

- The mounting surface must withstand five times the camera weight.
- Do not let the cables get caught in improper places or the electric line cover can be damaged. This may cause a short or fire.
- CAUTION:** These servicing instructions are for use by qualified service personnel only. To reduce the risk of electric shock do not perform any servicing other than that contained in the operating instructions unless you are qualified to do so.
- CAUTION:** There is a risk of explosion if the battery is replaced incorrectly, and it should be replaced only with the same battery. **ATTENTION:** Il y a risque d'explosion si la batterie est remplacée par une batterie de type incorrect. Mettre au rebut les batteries usages conformément aux instructions.
- Used batteries must be disposed of according to local regulations or the battery manufacturer's instructions. Disposing of batteries in a fire or in a hot oven, or mechanically crushing and cutting them may cause an explosion.
- Leaving the battery in very high temperature or low air pressure environments may result in an explosion or leak of flammable liquids or gases.
- This product is intended to be supplied by a UL Listed Power Supply Unit marked "Class 2" or "LPS" or "PS2" and rated 12 Vdc, 0.31A (DWC-MPV72 and DWC-MV72 series) and 0.5A (DWC-MPV75 and DWC-MV75 series) min.
- The wired LAN hub providing power over the Ethernet (PoE) in accordance with IEEE 802.3af shall be a UL Listed device with the output evaluated as a Limited Power Source as defined in UL60950-1 or PS2 as defined in UL62368-1.
- Unit is intended for installation in a Network Environment 0 as defined in IEC TR 62102. As such, associated Ethernet wiring shall be limited to inside the building.
- For the installation process, remove the dome cover from the camera module by loosening the three (3) screws on the dome. Use the wrench provided with the camera.
- Using the mounting template sheet or the camera itself, mark and drill the necessary holes in the wall or ceiling.

**STEP 2 - POWERING THE CAMERA**

Pass the wires through and make all the necessary connections.

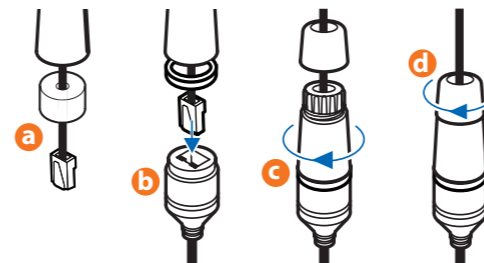
- If you are using a PoE switch, connect the camera using an Ethernet cable for both data and power.
- If you are using a non-PoE switch, connect the camera to the switch using an Ethernet cable for data transmission and use a power adapter to power the camera.

Models	Power requirements	Power consumption
DWC-MPV75Wi28TW DWC-MPV75Wi4TW DWC-MPV75Wi6TW DWC-MV75Wi28TW DWC-MV75Wi4TW DWC-MV75Wi6TW	DC 12V, PoE IEEE 802.3af Class3. (Adapter not included)	DC12V: max 6W PoE: max 7.2W
DWC-MPV72Wi28ATW DWC-MPV72Wi4ATW DWC-MPV72Wi28TW DWC-MPV72Wi4TW DWC-MPV72Wi6TW DWC-MV72Wi28TW DWC-MV72Wi4TW DWC-MV72Wi6TW DWC-MV72Wi28ATW DWC-MV72Wi4ATW	DC 12V, PoE IEEE 802.3af Class2. (Adapter not included)	DC12V: max 3.7W PoE: max 5.5W
DWC-MV72Di4TW DWC-MV72Di28TW	DC 12V, PoE IEEE 802.3af Class2. (Adapter not included)	DC12V: max 3.7W PoE: max 5.4W

**STEP 3 - INSTALLING THE CAMERA**

- Attach the main body to the mounting bracket or mounting surface by tightening the lock screw.
- The waterproof cap set comes with two rubber rings with different diameters. The black rubber ring has an internal diameter of ø0.15" (ø4mm). The white rubber ring has an internal diameter of ø0.19" (ø5mm). When using the waterproof cap, use the rubber ring best suited for your network cable's diameter.

- Pass the LAN cable through the waterproof cap, gasket and the **a** rubber ring.
- Connect the LAN cable to the camera's network port **b**.
- c** will be affixed to **b** with a ¼ turn counter-clockwise.
- Thread and twist **d** tightly to **c**.



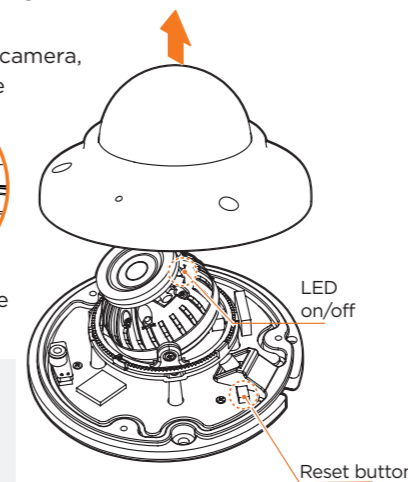
**NOTE:** To ensure moisture seal, make sure the o-ring is in place between **a** and **b**. In extreme environments use of an outdoor rated sealer is recommended.

**NOTE:** Cables with ø4.5mm to ø5.5mm thickness should use the black rubber ring. Cables over ø5.5mm in thickness should use the white rubber ring.

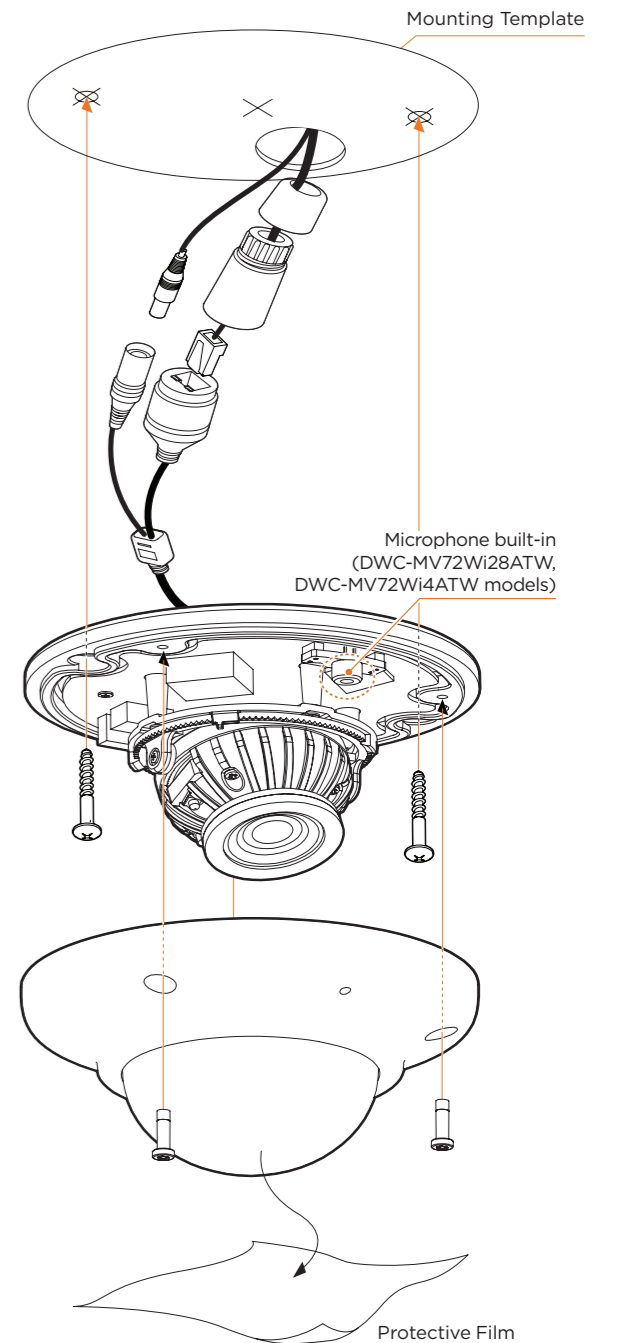
- The camera is equipped with a manual IR activation button. You can choose to disable the camera's IR LEDs when the installation environment requires so.
- Adjust the camera's lens position by rotating the camera on its three-axis gimbal.
- When assembling the dome back on the camera, align the screw holes in the dome and the camera's base.

- When the installation is complete, remove the dome's protective film.

**Resetting the camera:** To reset the camera's settings, including the network settings, use the tip of a paper clip or a pencil. Press the reset button for five (5) seconds.



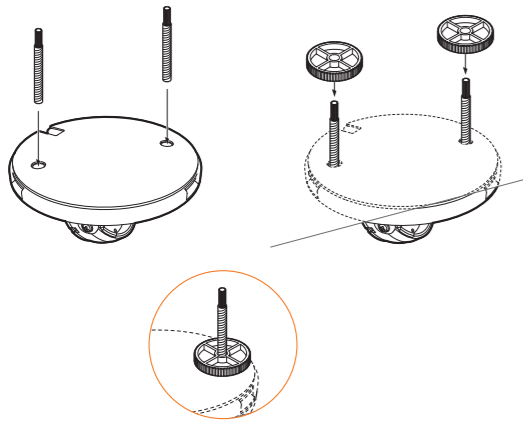
**NOTE:** Camera models with a microphone built-in (DWC-M(P)V72Wi28ATW and DWC-M(P)V72Wi4ATW) should be installed approximately 3-6ft (1-2 meters) from a person speaking in a normal tone (50-60 dB).



### STEP 3 - INSTALLING THE CAMERA (cont.)

Installation using the mounting bolt and screws

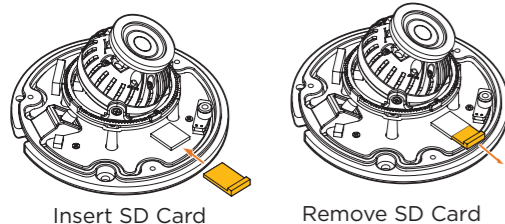
- Using the mounting template, mark and drill the necessary holes on the mounting surface.
- Secure the two long mounting screws to the camera's base.
- Pass the wires through and make all the necessary connections.
- Rotate the locking disks over the screws until the camera holds tightly from the mounting surface.



### STEP 4 - MANAGING THE SD CARD

The following models include a local SD card slot:  
DWC-MPV75Wi series, DWC-MV75Wi series, DWC-MPV72Wi series, DWC-MV72Wi series

- To install the camera's SD Card, locate the SD card slot in the back of the camera module.
- Insert a class 10 SD card into the SD card slot by pressing the SD card slot.
- To remove the SD Card, press the card inward to release from the card slot.



### STEP 6 - DW® IP FINDER™

Use the DW® IP Finder™ software to scan the network and detect all MEGApix® cameras, set the camera's network settings or access the camera's web client.

Thumbnail view

Select network to scan

Filter results

Scan network

Show/hide thumbnail view

Refresh thumbnail view

Bulk IP assignment

Bulk password assignment

Firmware upgrade

Selected camera's username and password

Name	IP Address	Model	MAC Address	Netmask	Gateway	Port	DHCP	Version	Ping Test	IP Conf.	Uptime
DWC-MPTZ30X	192.168.150.38	DWC-MPTZ30X	00:07:08:19:10:1A	255.255.255.0	192.168.150.1	80	Disabled	1.9.94-X2_release	Ping	Click	
DWC-MV44WA	192.168.150.49	DWC-MV44WA	00:0D:F1:21:53:8F	255.255.255.0	192.168.150.1	80	Disabled	A2.01.02_20180619	Ping	Click	28day 14hrs 1mins
DWC-PZ21M69T	192.168.150.4	DWC-PZ21M69T	00:0D:F1:21:29:21	255.255.255.0	192.168.150.1	80	Disabled	A5.01.03_20180403	Ping	Click	39day 15hrs 54mins
DWC-PVX16W4	192.168.150.4	DWC-PVX16W4	00:0D:F1:21:5C:AD	255.255.255.0	192.168.150.1	80	Disabled	S2.01.03_20180309	Ping	Click	56day 16hrs 46mins
DWC-PFSM1TR	192.168.150.61	DWC-PFSM1TR	00:0A:61:1A:00:14	255.255.255.0	192.168.150.1	80	Disabled	-	Ping	Click	--
DWC-PV9M2TR	192.168.150.62	DWC-PV9M2TR	00:0A:61:1A:26:E7	255.255.255.0	192.168.150.1	80	Disabled	-	Ping	Click	--
DWC-MF4WH	192.168.150.63	DWC-MF4WH	00:0D:F1:20:FB:60	255.255.255.0	192.168.150.1	80	Disabled	A2.01.02_20180619	Ping	Click	28day 14hrs 0mins

Firmware version

Camera's uptime

Open IP configuration settings

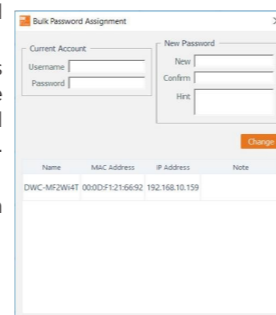
Ping camera

Camera's network information

Camera's name, IP and MAC addresses

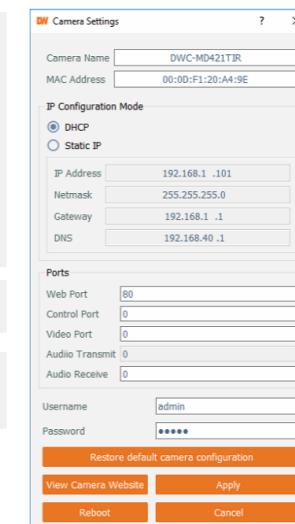
#### Network Setup

- To install the DW IP Finder, go to: <http://www.digital-watchdog.com>
- Enter "DW IP Finder" on the search box at the top of the page.
- Go to the "Software" tab on the DW IP Finder page to download the installation file.
- Follow the installation to install the DW IP Finder. Open the DW IP Finder and click 'Scan Devices'. It will scan the selected network for all supported devices and list the results in the table. During the scan, the DW® logo will turn gray.
- When connecting to the camera for the first time, a password must be set. To set up a password for your camera:
  - Check the box next to the camera in the IP Finder's search results. You can select multiple cameras.
  - Click "Bulk Password Assign" on the left.
  - Enter admin/admin for the current username and password. Enter a new username and password to the right. Passwords must have a minimum of 8 characters with at least 4 combinations of uppercase letters, lowercase letters, numbers and special characters. Passwords cannot contain the user ID.
  - Click "change" to apply all changes.
- Select a camera from the list by double-clicking on

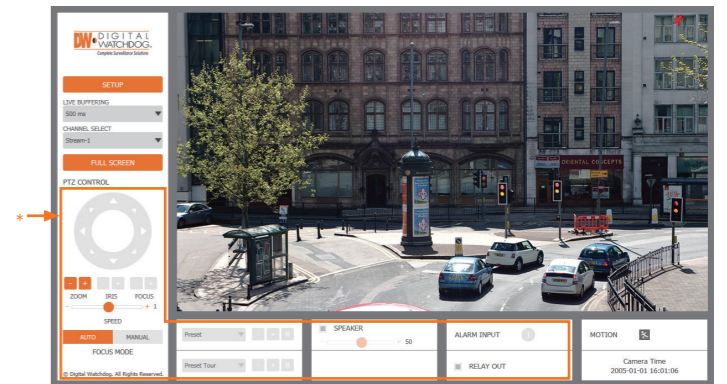


- the camera's image or clicking on the 'Click' button under the IP Conf. column. The pop-up window will show the camera's current network settings, allowing admin users to adjust the settings as needed.
- To access the camera's web page, click on the 'View Camera Website' from the IP Config window.
- To save changes made to the camera's setting, enter the username and password of the camera's admin account and click 'Apply'.

- Select DHCP to allow the camera to receive its IP address automatically from the DHCP server.
- Select "Static" to manually enter the camera's IP address, (Sub)Netmask, Gateway and DNS information.
- The camera's IP must be set to static if connecting to Spectrum® IPVMS. Contact your network administrator for more information.
- Default TCP/IP information: DHCP.
- Port forwarding must be set in your network's router to access the camera from an external network.



### STEP 6 - WEB VIEWER



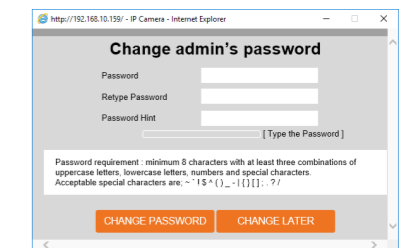
The GUI display may differ by camera models.

**NOTE:** Chrome browser is recommended for IVA configuration.

Once the camera's network settings have been setup properly, you can access the camera's web viewer using the DW IP Finder.

To open the camera's web viewer:

- Find the camera using the DW IP Finder.
- Double-click on the camera's view in the results table.
- Press the 'View Camera Website'. The camera's web viewer will open up in your default web browser.
- Enter the camera's username and password you setup in the DW IP Finder. If you did not setup a new username and password via the DW IP Finder, you will not be able to view video from the camera. A message will direct you to setup a new password for the camera to view video.



- When accessing the camera for the first time, install the VLC player for web files to view video from the camera.

**NOTE:** 32bit version of the VLC player must be installed. If you are using a 64bit system, uninstall the previous 64bit version and reinstall using the 32bit version.

**NOTE:** Some menu options may not be available based on the camera model. See the full manual for more information.