

DW[®] Universal HD over Coax[®]
ultra low-profile vandal dome cameras

DWC-V7253TIR



WHAT'S IN THE BOX

Mounting bolt and nuts		1 Set	Mounting templates		1
Hex Allen wrench		1	Quick set up guide		1
Screws and plastic anchors-2pcs		1 Set	Test video cable		1

NOTE: Download all your support materials and tools in one place.

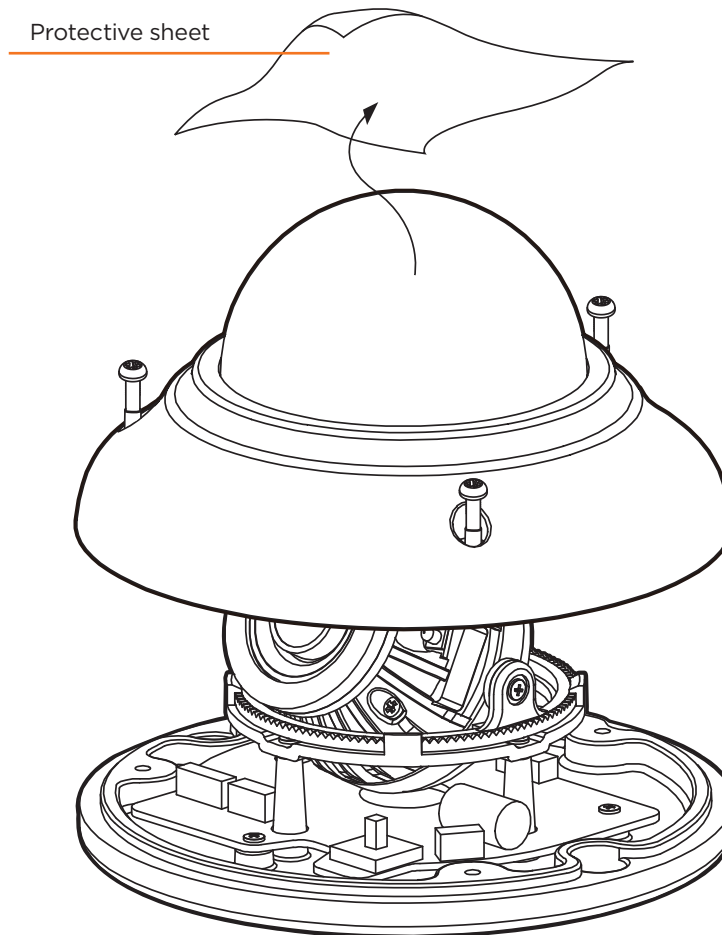
1. Go to: <http://www.digital-watchdog.com/resources>
2. Search your product by entering the part number in the 'Search by Product' search bar. Results for applicable part numbers will populate automatically based on the part number you enter.
3. Click 'Search'. All supported materials, including manuals and quick start guide (QSGs) will appear in the results.



Attention: This document is intended to serve as a quick reference for initial set up. It is recommended that the user read the entire instruction manual for complete and proper installation and usage.

STEP 1 - PREPARING TO MOUNT THE CAMERA

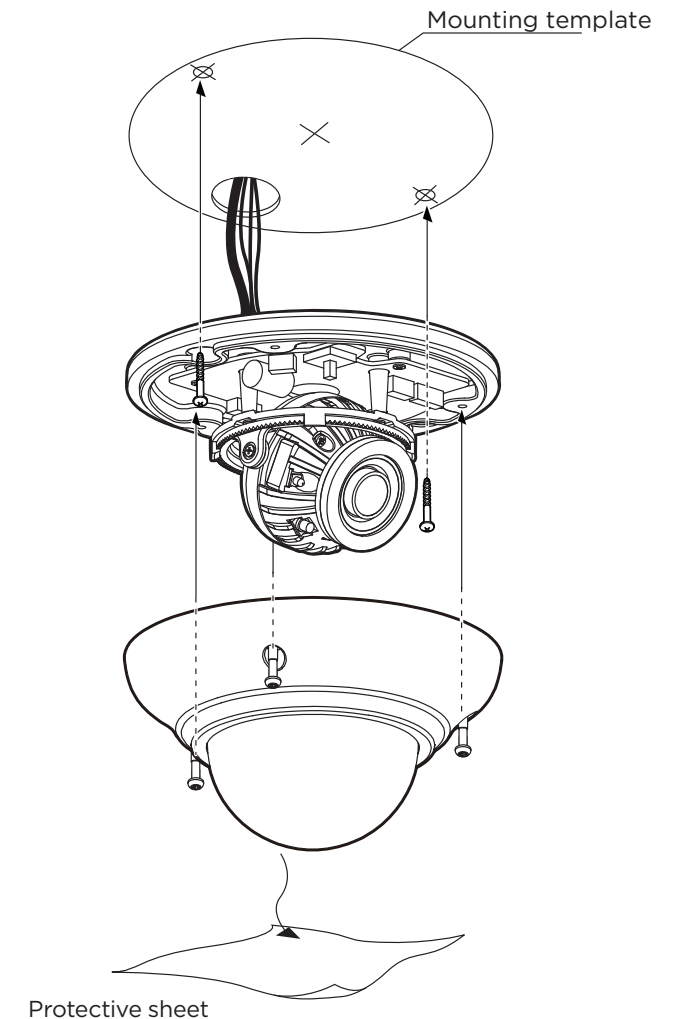
1. The mounting surface must withstand five times the weight of your camera.
2. Pay attention to the cables. They can easily become caught and damaged. Any damage may cause a short or fire.
3. Detach the camera's dome cover by loosening the three (3) screws on the dome using the included torque wrench.
4. Use the mounting template to mark and drill the necessary holes in the mounting surface.



STEP 2 - CABLING THE CAMERA TO EXTERNAL DEVICES

Pass the wires through the mount bracket and make all necessary connections. Connect the BNC cable and power cables to the camera.

Power requirements	Power consumption
12VDC ONLY! CAUTION! The camera supports DC power supply only	DC12V (LED off): 1.92W DC12V (LED on): 3.12W



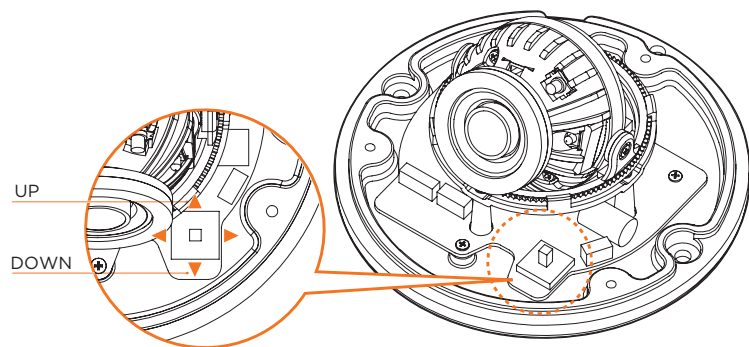
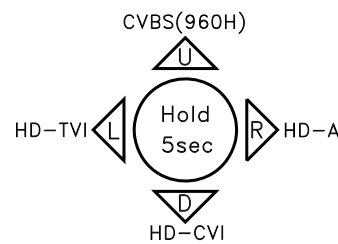
STEP 3 - CHANGING THE SIGNAL IN THE CAMERA

1. The camera supports HD-Analog, HD-CVI and HD-TVI signals. To switch between the signals:

a. Remove the camera's dome to access the joystick and OSD control on the base of the camera.

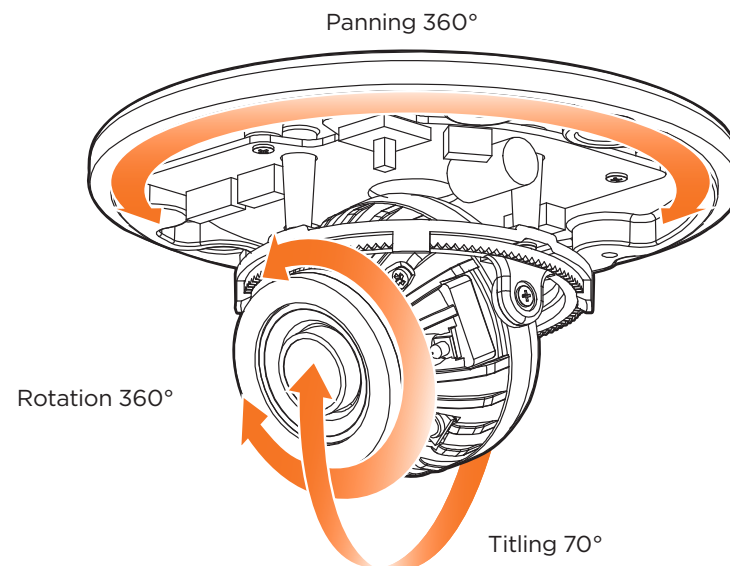
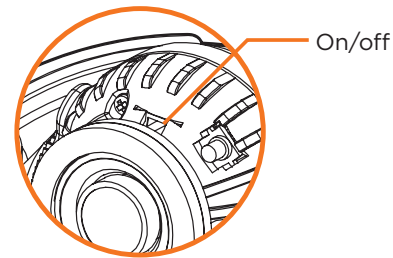
b. Use the OSD Switch to switch the camera's signal.

- To switch the camera to HD-TVI mode, press OSD joystick to the left for 5 seconds.
- To switch the camera to HD-Analog mode, press OSD joystick to the right for 5 seconds.
- To switch the camera to CVBS mode, press OSD joystick up for 5 seconds.
- To switch the camera to HD- CVI mode, press OSD joystick down for 5 seconds.



STEP 4 - INSTALLING THE CAMERA

1. Once all cables have been connected, use the screws included with the camera to properly mount and secure the camera to the mounting surface.
2. Adjust the camera's pan, tilt and position to achieve the desired view. The cameras' max angles are:
Pan: 0° - 360°
Tilt: 0° - 70°
Rotation: 0° - 360°
3. Once the installation is complete, remove the protective film from the camera's dome cover.
4. The camera has a manual IR switch, located under the camera's lens. You can use this switch to manually turn the IR LED board on or off according to the installation needs.



For a bolt and nut installation:

1. Using the bolt and nut mounting template, mark and drill the necessary holes in the mounting surface.
2. Pass wires through and make all connections (see STEP 2 for more information).
3. Secure the two long mounting screws to the camera's base.
4. Mount the camera to the mounting surface by using the 2 mounting nuts.
5. Rotate the locking discs over the screws until the camera is held tightly from the mounting surface.

