

---

# Blackjack<sup>®</sup>

Servers Powered by DW Spectrum<sup>®</sup> IPVMS



Scalable, enterprise-level servers, powered  
by DW Spectrum<sup>®</sup> IPVMS.

DW servers, powered by DW Spectrum® IPVMS.

# What are Blackjack® servers?

DW's Blackjack® servers powered by DW Spectrum® are robust and user-friendly video management solutions, highly optimized to provide unlimited scalability, unmatched bandwidth savings and simplified system setup and management. The architecture is cross-platform supporting Windows®, Linux® and MAC® platforms for complete optimization to match any application.

DISCOVER	MANAGE	VIEW	INTEGRATE
IP Cameras (ONVIF, Custom)	IP Cameras / NVRs / DVRs	Live Video (adaptive)	HTTP Generic Events
RTSP / HTTP Streams	Advanced Routing	Recorded Video (adaptive)	HTTP Request-as-an-Action
I/O Devices	Storage (HDD/NAS/DAS)	Server Health	Server API
Samba NAS	Events and Rules Engine	Log Files	Storage SDK
Virtual Camera	Failover	Audit Trail	Video Source SDK
H.265 on ONVIF Cameras	Transcoding	Storage Status	Any Device or System
Webcam Support	Failover on Storage Failure	Dual-Stream RTSP	C2P Integration
Camera Replacement	System Update	Layout-as-an-Action	Metadata SDK
	Archive Encryption	Health Monitoring Dashboard	Plugins
	ZFT Support	Intel Quick Sync Video	
	Remote Log Download	SSL/TLS Connections	
	ONVIF Profile Selection	Session-Based Authentication	



## Rackmount Servers

High-capacity, industry compliant rackmount servers are ideal for any enterprise solution with multiple locations and monitoring capabilities.

## Desktop Servers

Desktop solutions, enterprise capabilities.



# Blackjack® Rackmount Servers:



Model	Blackjack® P-Rack™ 1U (DW-BJP1U)	Blackjack® P-Rack™ 2U (DW-BJP2U)	Blackjack® P-Rack™ 2U w/RAID (DW-BJPR2U)	Blackjack® Rack™ 2U - 12 Bay (DW-BJRR2U)
Included Licenses	4	4	4	8
Form Factor	1U rackmount	2U rackmount	2U rackmount	2U rackmount
Max video Storage Rate (Mbps)	360Mbps	600Mbps	600Mbps	600Mbps
Storage	60TB	120TB	120TB raw storage	240TB raw storage, RAID5, RAID6 options
Certifications	ONVIF, NDAA/TAA	ONVIF, NDAA/TAA	ONVIF, NDAA/TAA	UL listed, ONVIF, NDAA/TAA
Warranty	5 year limited	5 year limited	5 year limited	5 year warranty, next business day on-site hardware service, keep your hard drive



Model	Blackjack® Rack™ 2U - 12 Bay (DW-BJRR2P)	Blackjack® Rack™ 2U - 26 Bay (DW-BJRR2Y)
Included Licenses	8	8
Form Factor	2U rackmount	2U rackmount
Max video Storage Rate (Mbps)	600Mbps	600Mbps
Storage	240TB raw storage, RAID5, RAID6 options	520TB raw storage, RAID5, RAID6 options
Certifications	UL listed, ONVIF, NDAA/TAA	UL listed, ONVIF, NDAA/TAA
Warranty	5 year warranty, next business day on-site hardware service, keep your hard drive	5 year warranty, next business day on-site hardware service, keep your hard drive

# Blackjack® Desktop and SMB Servers



Model	Blackjack® Tower™ (DW-BJTR71)	Blackjack® Tower™ (DW-BJT71)	Blackjack® DX™ (DW-BJDX71)	Blackjack® DX™ (DW-BJDX51)
Included Licenses	4	4	4	4
Form Factor	Full-size tower	Full-size tower	Slim Desktop	Slim Desktop
Max video Storage Rate (Mbps)	Up to 600Mbps	600Mbps	480Mbps	360Mbps
Storage	120TB raw storage, RAID5, RAID6 options	140TB	40TB	40TB
Certifications	UL listed, ONVIF, NDAAs/TAA	UL listed, ONVIF, NDAAs/TAA	ONVIF, NDAAs/TAA	ONVIF, NDAAs/TAA
Warranty	5 year limited	5 year limited	5 year limited	5 year limited



Model	Blackjack® DX™ (DW-BJDX31)	Blackjack® DX™ (DW-BJDX11)	Blackjack® CX™ PoE Built-in NVR (DW-BJCX)	Blackjack® MX™ (DW-BJMX2T)
Included Licenses	4	4	4	N/A
Form Factor	Slim Desktop	Slim Desktop	PoE Built-in NVR	Mini Desktop
Max video Storage Rate (Mbps)	180Mbps	80Mbps	80Mbps	120Mbps
Storage	40TB	40TB	40TB	2TB
Certifications	ONVIF, NDAAs/TAA	ONVIF, NDAAs/TAA	ONVIF, NDAAs/TAA	ONVIF, NDAAs/TAA
Warranty	5 year limited	5 year limited	5 year limited	5 year limited

## Key Technologies

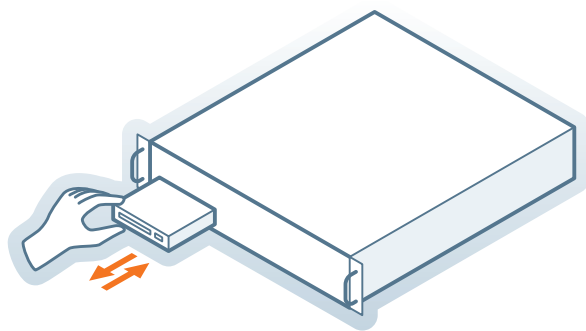
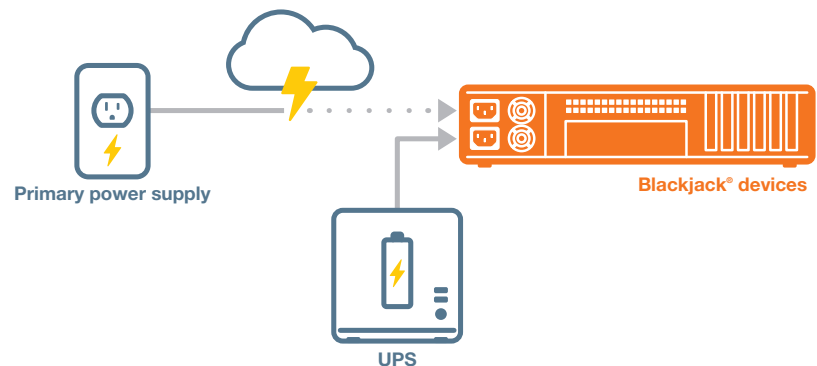


### DW Spectrum® IPVMS

Access and control from your phone or tablet: Our iPhone® and Android® app allow you to check in on your business from across town or across the country.

### Dual Power Supply

Redundancy for reliability.



### Hot Swappable Drives\*

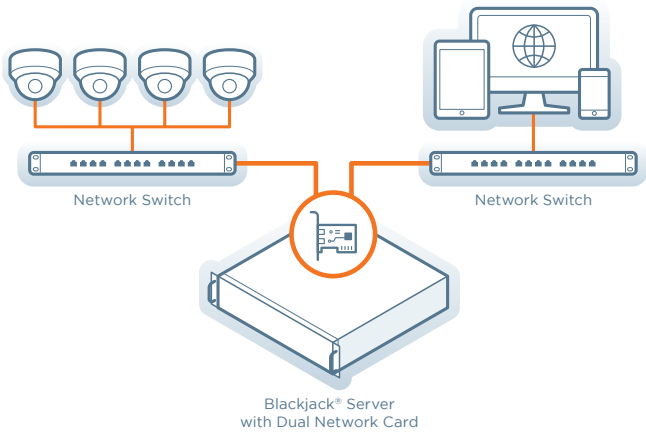
When a drive needs to be replaced, you can easily hot-swap it with a new one, while the system is still running. There is no need to power down and lose important minutes of data to maintain your system's drives healthy and operating.

### Small server, mighty capabilities

The Blackjack MX server, smaller than an iPad Pro, is an ideal cost-effective solutions for single-location applications and can be integrated into a larger corporate remote management solution as part of the DW Spectrum® IPVMS platform.



DW servers, powered by DW Spectrum® IPVMS.

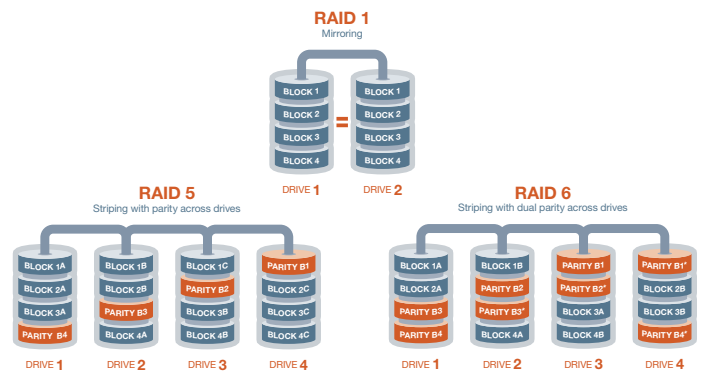


## Dual Network Cards

Optimize network bandwidth by utilizing dual network ports, to build a separate network for the surveillance system and keep that traffic off the main network, reserved for the NVR's communication.

## RAID Storage Mirroring\*

Add extra security to your video surveillance system by protecting recorded data and overcoming data loss in the case of a hard drive failure.



## USB Mouse and Keyboard Included

Get wide views and forensic details from one camera. Create dedicated zoomed screens in the monitoring software to get the details that matter most.



## Railkit Included

All Blackjack® rackmount servers come with the rail kits included at no extra cost for easy out-of-the-box installation.

## Next business day onsite hardware repair after remote diagnosis

If an issue occurs with your product that cannot be resolved by phone, DW will dispatch a certified technician to attempt repair of your machine at your place of business, usually the next business day.



\*Blackjack rack servers only. See product specifications.

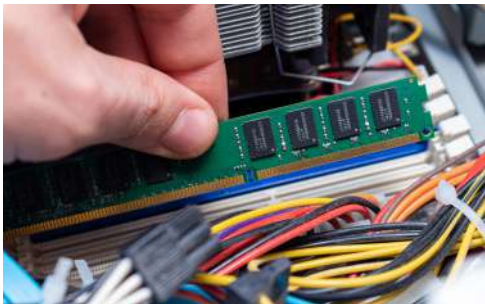


## Keep your drive after replacement to ensure data security\*

Our Keep Your Drive Warranty delivers users replacement hard drives, without the need to return the defective drives. Users can keep their drives and protect their data and their customer's privacy.



\* Available for Blackjack Rack servers only.

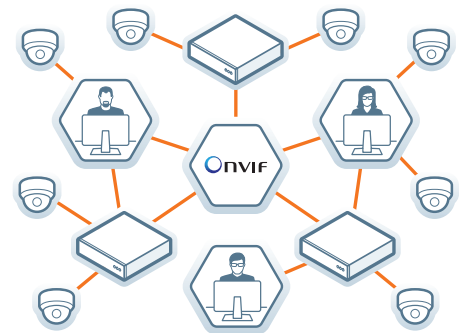


## Designed and commissioned in the U.S.A

All DW recorders, workstations and NAS devices are designed, assembled and inspected in our California facility. Each product undergoes multiple levels of quality control to guarantee the highest quality and performance.

## ONVIF® conformant

All Blackjack servers, NAS and workstations are ONVIF conformant, allowing users to bring our robust solutions to any surveillance system with other ONVIF components, creating a truly unique solution, to match your specific needs.



## Operating Systems

Blackjack servers offer customization with Windows, Windows Server, Linux and Embedded Linux OS options. Remote monitoring solutions are also available for Android and iOS devices with complete cross-platform compatibility.

## OS on dedicated SSD

DW's servers provide a dedicated SSD for the OS. This results in faster boot time, faster application loading times and improved system responsiveness.



DW servers, powered by DW Spectrum® IPVMS.



### Blackjack Monitoring Workstations

These high performance multi-monitor workstations are powered by DW Spectrum IPVMS and provide the ultimate solution to viewing and monitoring multiple Blackjack servers and multi-sensor Megapix® Pano™ cameras from a single location.

### NDA / TAA Compliant

DW® IP cameras, analog cameras, NVRs, DVRs, network devices and management software sold and distributed worldwide are designed and developed in U.S.A. and Korea. Manufactured in Korea.

Most DW® products qualify for GSA Schedule Contracts and other government opportunities because they are TAA / NDA compliant.



**NDA/TAA**  
COMPLIANT PRODUCT



Trade Agreements Act FAR 52.225-5

### Contact us:



California Office  
16220 Bloomfield Avenue  
Cerritos, California USA 90703  
Hours: 8:00am - 5:00pm PST.



Florida Office  
5436 West Crenshaw Street  
Tampa, Florida USA 33634  
Hours: 8:30am - 5:30pm EST.

Phone (Toll-Free).....1.866.446.3595  
Fax.....1.813.888.9262  
Customer Service (U.S.).....1.866.446.3595  
Customer Service (International).....1.813.888.9555  
Customer Service (French).....1.514.360.1309  
Sales Email.....sales@digital-watchdog.com  
Tech Support Email.....technicalsupport@digital-watchdog.com

- 866.446.3595
- sales@digital-watchdog.com
- www.digital-watchdog.com

