
MEGAPIX® PTZ™
Pan · Tilt · Zoom IP cameras



Capture All the Action.

NDA/TAA
COMPLIANT PRODUCT



Stay current at:
Digital-Watchdog.com



What are MEGApix® PTZ IP cameras?

DW's IP PTZ cameras use pan, tilt, and zoom to offer users great ROI with maximum protection and wide-area coverage at a minimum cost. The cameras' optical zoom gives users forensic detail to help verify details in potential security events. The cameras can replace multiple fixed cameras with a variety of smart preset and pattern commands that allow the cameras to move between high-risk positions, track motion and events and cover a wide area all from a single camera.

Pan, tilt, zoom (PTZ) camera

DW's PTZ cameras are designed for the most demanding video surveillance applications. They can monitor large spaces with presets, auto tracking and patterns, replacing a multi-camera installation. They can also zoom and track events live, giving users more control over their monitoring solution.



Up to 40x optical zoom

The optical zoom lens in the camera uses internal glass elements to bring an image up to 40x closer with precision pan/tilt/zoom capabilities. The results are magnified images, exceptional coverage of large areas and outstanding zoomed-in details recorded at full resolution.



Camera view without zoom

40x Optical zoom

Clear images with endless 360-views

DW's IP PTZ cameras keep track of events and image orientation with an endless 360-degree movement. The technology results in powerful, high-quality image in all directions, above, as well as below the horizon.



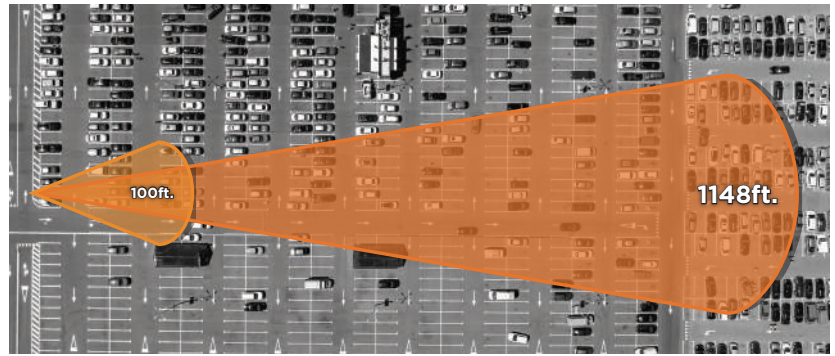
Design for extreme

DW's PTZ cameras are robust and built to withstand extreme conditions. They are ideal for large open surveillance, such as train stations, airports, city surveillance and large parking lots, with quick pan/tilt/zoom response and visual verification. With IP66-rated, IK10 impact-resistant hardware, DW's PTZ cameras will operate under harsh conditions and resist impact and potential sabotage.



Up to 1148ft Smart IR™ illumination

DW's IP PTZ cameras have Smart IR LEDs built-in that provide illumination up to 1148ft (350m) for the DWC-XPZA models, and up to 200ft (60m) for the DWC-MPTZ230XTW from the camera, delivering clear images and details for both objects in the camera's foreground and deep into the background.



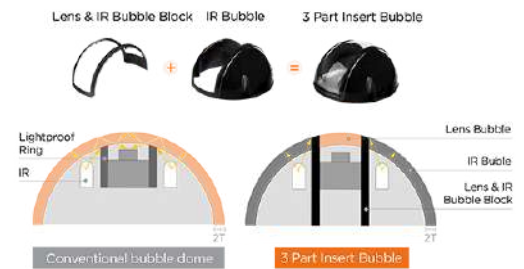
Up to 60fps Video

DWC-XPZA03Mi camera transmits real-time video at up to 60fps, resulting in smooth capture of fast-moving objects and no loss of details or significant events.



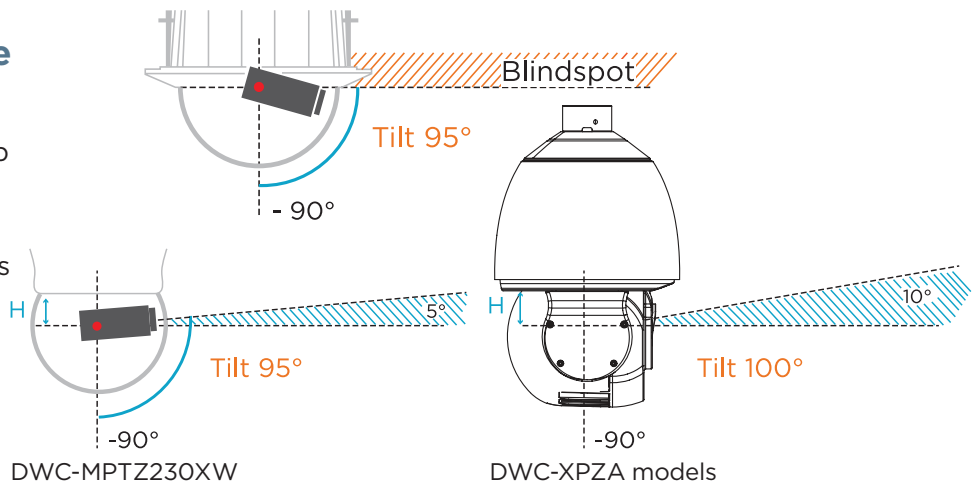
3-part insert bubble

DW's unique 3-part insert bubble has a special lens and IR bubble block and a special black IR bubble, which act together to dramatically reduce IR reflections from entering the lens.



Up to 100° tilting angle

The camera's tilting capabilities allow it to cover up to 10° below the horizon line. The result is up to 100° tilting angle, covering any blind spots in the far background, with no image distortion.



Star-Light Plus™ color in near-total darkness technology

Star-Light Plus™ color in near-total darkness technology provides crisp, clear images in the absence of ambient light. The Star-Light Plus sensor delivers sharper colors and images of moving objects.



Capture All the Action

True Wide Dynamic Range (WDR)

Cameras with true WDR technology have advanced sensors that can deliver clear images in a wider range of lighting.



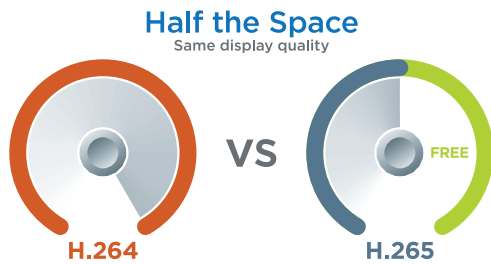
Smart DNR™ 3D digital noise reduction

The optical zoom lens uses internal glass elements to bring an image up to 36x closer, allowing the magnified image to be recorded at full resolution.



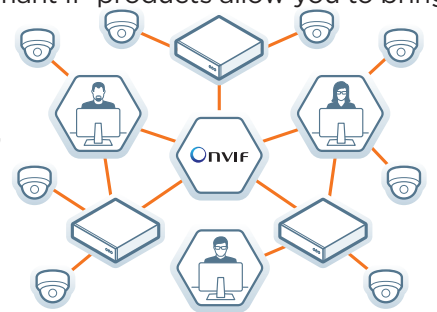
H.265 codec support

High-Efficiency video codec standards deliver 25% to 50% better data compression while maintaining video quality.



ONVIF® Conformant

DW's ONVIF conformant IP products allow you to bring our robust solutions to any surveillance system with other ONVIF components, creating a truly unique solution, to match your specific needs.



NDA/TAA Compliant

DW® IP cameras, analog cameras, NVRs, DVRs, network devices and management software sold and distributed worldwide are designed and developed in U.S.A. and Korea and manufactured in Korea.

Most DW® products qualify for GSA Schedule Contracts and other government opportunities because they are NDA and TAA compliant.

NDA/TAA
COMPLIANT PRODUCT

GSA

Trade
Agreements
Act FAR 52.225-5

866.446.3595

sales@digital-watchdog.com

www.digital-watchdog.com

