

Blackjack® NAS

Network Attached Storage

Non-RAID	RAID1
DW-BJNAS4T	DW-BJNAS8TR
DW-BJNAS6T	DW-BJNAS12TR
DW-BJNAS10T	DW-BJNAS20TR
DW-BJNAS12T	
DW-BJNAS20T	



Default login Information for Blackjack® NAS™

Username: **admin**

Password: **admin1234**

WHAT'S IN THE BOX

12V DC Adapter and Power Cable



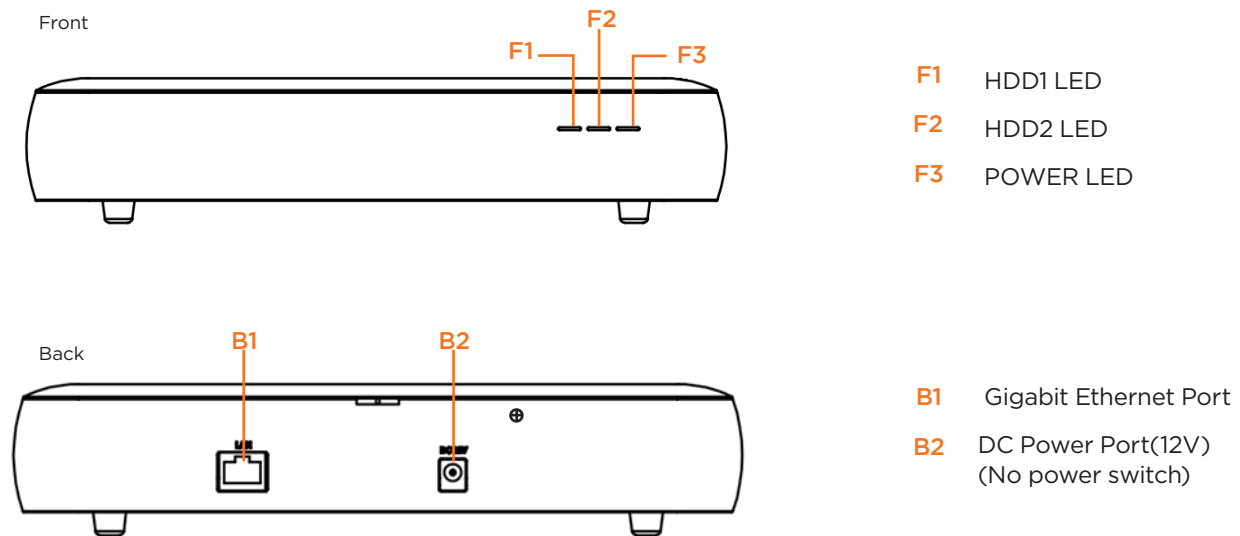
1 Set

NOTE: Download All Your Support Materials and Tools in One Place

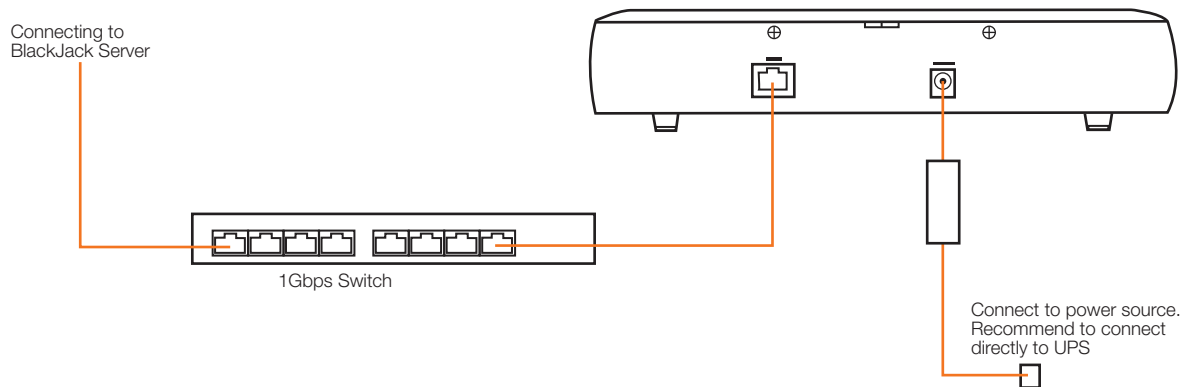
1. Go to: <http://www.digital-watchdog.com/support-download/>
2. Search your product by entering the part number in the 'Search by Product' search bar. Results for applicable part numbers will populate automatically based on the part number you enter.
3. Click 'Search'. All supported materials, including manuals, Quick Start Guide (QSG), software and firmware will appear in the results.

Attention: This document is intended to serve as a quick reference for initial set-up. See the DW Spectrum full manual for more information on features and functionality.

HARDWARE



SETTING UP THE BLACKJACK NAS



STEP 1: Connecting the power cable.

1. Connect the power cable to the DC power port. The device will automatically power on.
2. You can check whether the power is on at the front power LED.


STEP 2: Connecting to the Network

1. Locate the network switch where the DW Spectrum[®] IPVMS server is connected to.
(Blackjack NAS must be on the same network as the DW Spectrum IPVMS server where it will be added to).
2. Connect the network cable to the network port and to the network switch (network cable not included).

NOTE It is required to use Gigabit switch for stable storage performance

The screenshot displays the DW IP Finder application interface. On the left, there is a sidebar with several buttons: 'Thumbnail view', 'Select network to scan', 'Filter results', 'Scan network', 'Show/hide thumbnail view', 'Refresh thumbnail view', 'Bulk IP assignment', 'Bulk password assignment', and 'Firmware upgrade'. Below these is a field for 'Selected camera's username and password'. The main area features a 'Thumbnail' view on the left showing camera feeds, and a table of discovered cameras on the right. The table has columns for Name, IP Address, Model, MAC Address, Netmask, Gateway, Port, DHCP, Version, Ping Test, IP Conf., and Uptime. Each row includes a 'Ping' button and a 'Click' button. Labels on the right side of the image point to specific elements: 'Firmware version' points to the Version column; 'Camera's uptime' points to the Uptime column; 'Open IP configuration settings' points to the Click button; 'Ping camera' points to the Ping button; 'Camera's network information' points to the IP Address, Netmask, Gateway, and Port columns; and 'Camera's name, IP and MAC addresses' points to the Name, IP Address, and MAC Address columns.

Name	IP Address	Model	MAC Address	Netmask	Gateway	Port	DHCP	Version	Ping Test	IP Conf.	Uptime
DWC-HPZ20X	192.168.150.3	DWC-HPZ20X	00:07:06:19:01:0A	255.255.255.0	192.168.150.1	80	Disabled	1.9.94-x2_release	Ping	Click	
DWC-HV44WA	192.168.150.4	DWC-HV44WA	00:0D:F1:21:03:9F	255.255.255.0	192.168.150.1	80	Disabled	A2.01.02_20180619	Ping	Click	28day 14hrs 5mins
DWC-PZ21M6BT	192.168.150.4	DWC-PZ21M6BT	00:0D:F1:21:02:21	255.255.255.0	192.168.150.1	80	Disabled	A5.01.03_20180403	Ping	Click	39day 13hrs 54mins
DWC-PVX16WH	192.168.150.4	DWC-PVX16WH	00:0D:F1:21:5C:A0	255.255.255.0	192.168.150.1	80	Disabled	52.01.03_20180309	Ping	Click	56day 10hrs 45mins
DWC-PFSM1TR	192.168.150.61	DWC-PFSM1TR	00:0A:65:1A:00:14	255.255.255.0	192.168.150.1	80	Disabled	-	Ping	Click	--
DWC-PVFSM2TR	192.168.150.62	DWC-PVFSM2TR	00:0A:65:1A:06:E7	255.255.255.0	192.168.150.1	80	Disabled	-	Ping	Click	--
DWC-HP4WH	192.168.150.63	DWC-HP4WH	00:0D:F1:20:F8:50	255.255.255.0	192.168.150.1	80	Disabled	A2.01.02_20180619	Ping	Click	28day 14hrs 5mins

1. From the Windows-based Blackjack server or any Windows[®] PC, open DW IP Finder™ by double-click on the  icon on the Desktop or click on DW IP Finder™ from Start Menu > All Programs > DW IP Finder.
2. If the DW IP Finder™ is not installed or not the latest version, download and install from <http://digital-watchdog.com/support>.
 - Under Software, select DW IP Finder from the drop-down list.
 - Then go to downloads section and expand software/firmware.
 - Click on the download icon to download the DW IP Finder.
 - Then install the DW IP Finder by following the installation wizard.

* Requires DW IP Finder 4.3.15 or later version.
3. When the DW IP Finder is opened, it will scan and list all the DW cameras and Blackjack[®] NAS that are on the selected network.

4. If the Blackjack NAS is not listed, change the Network* by clicking the drop down and select another network if exist. Click to scan the network for the Blackjack NAS. **Find Devices**

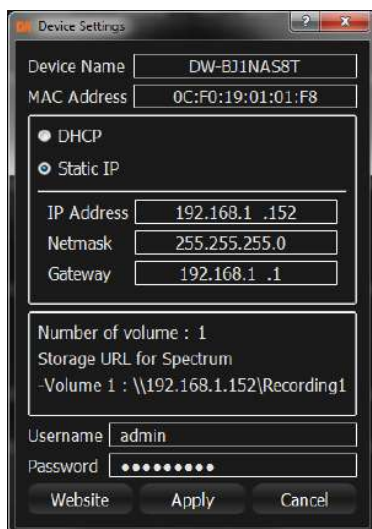
- If it's showing incorrect network, select the correct network from the drop-down list.

Network Local Area Connection 3 [192.168.1.180]

5. Find the Blackjack NAS from the list, then either double click on the **Blackjack NAS** or click on the click button under the IP Conf column.



6. From the Device Settings, enter IP address, netmask and gateway then click Apply to save changes.

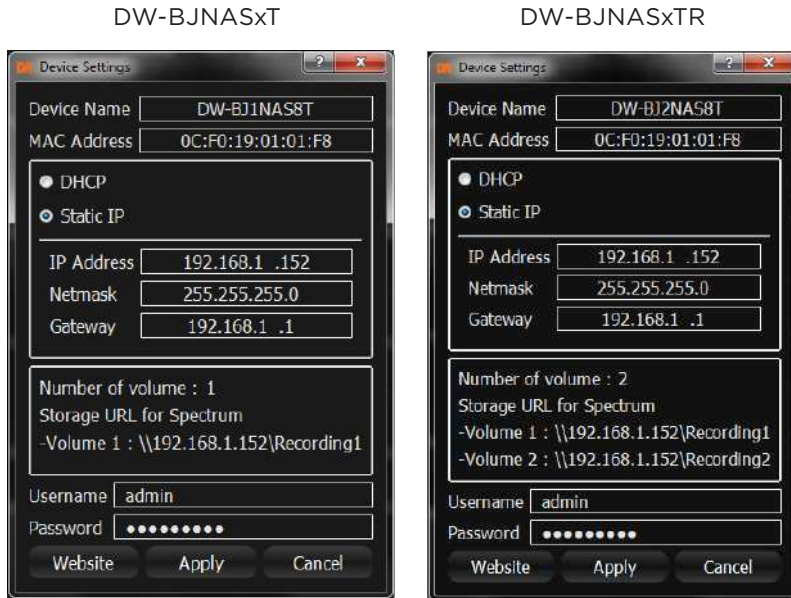


NOTE: Default IP Info

IP Address: 192.168.1.200,
Subnetmask: 255.255.255.0
Gateway:192.168.1.1

* Consult with your IT or network administrator If you do not have IP information.

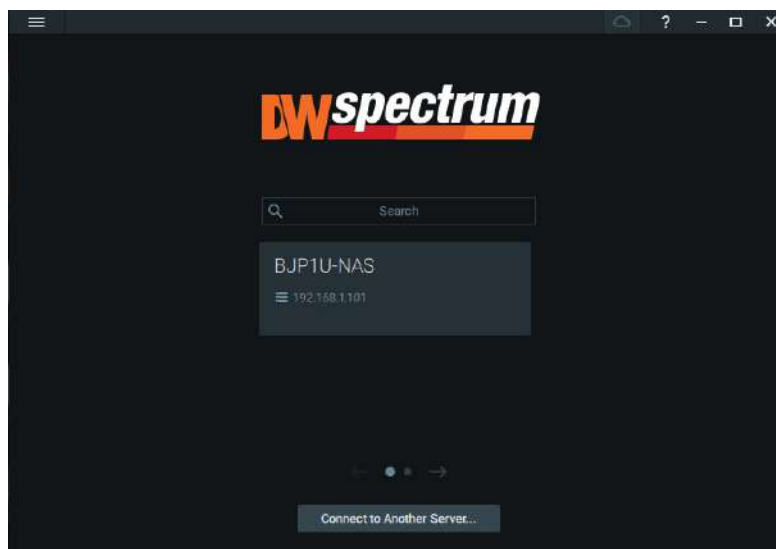
- Once the new IP have been applied, reopen the Device Settings to verify the Storage URL for the DW Spectrum IPVMS.
 - Note the Storage URL for the DW Spectrum IPVMS as you will need to type it in the DW Spectrum IPVMS.



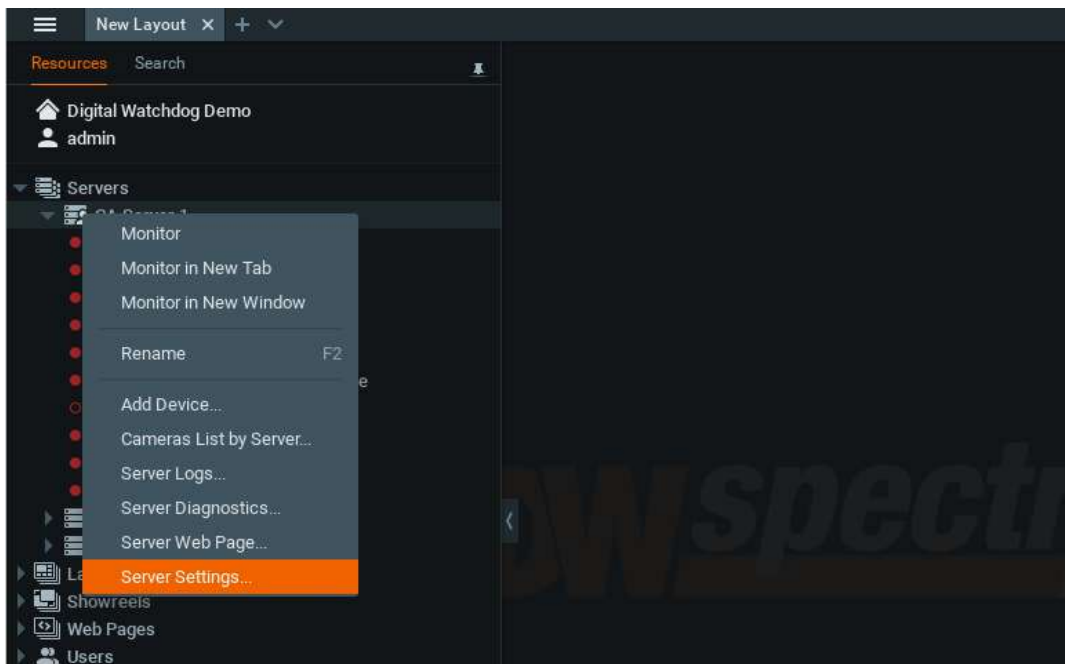
- Click the Apply or Cancel to close the window.

ADD STORAGE TO DW SPECTRUM MEDIA SERVER

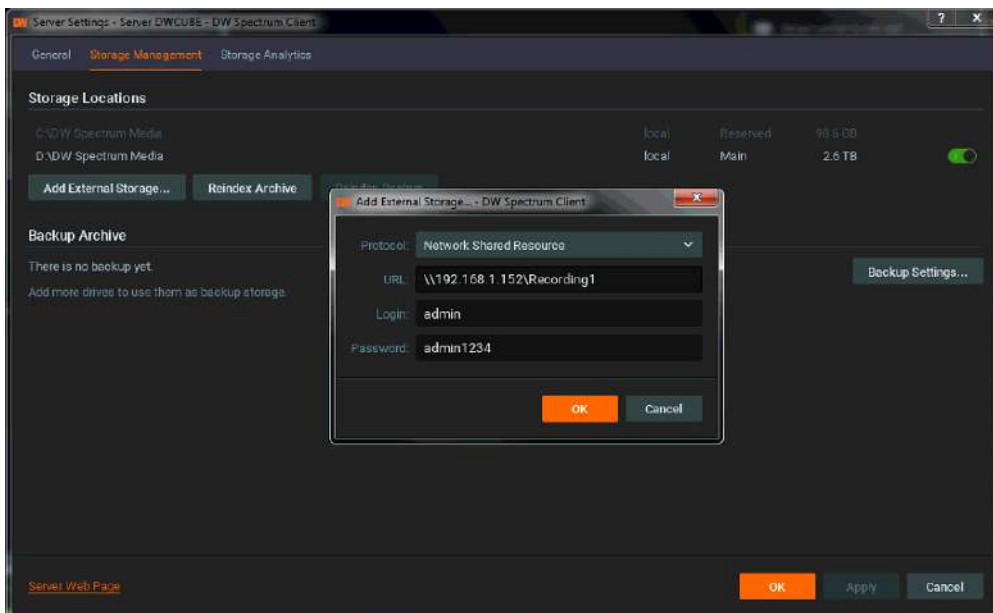
- Open DW Spectrum Client by double click on the DW Spectrum IPVMS icon on the Desktop or click on DW Spectrum from Start > All Program > Digital Watchdog.
- Login to the server where the Blackjack NAS will be connecting to.



- Right click on the server name listed on the Resources then click Server Settings.



4. From Storage Management tab, click Add External Storage.



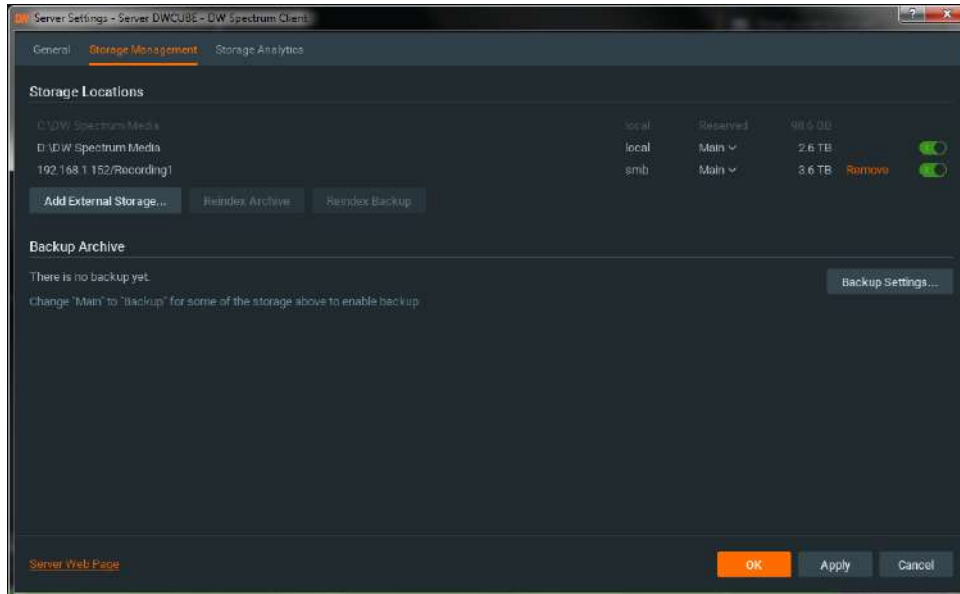
5. Input the URL of volume 1 from Step3-7

E.g. \\192.168.1.152\Recording1

6. Input the login name and the password then click OK.

NOTE: Default login Information

Login : admin, Password: admin1234



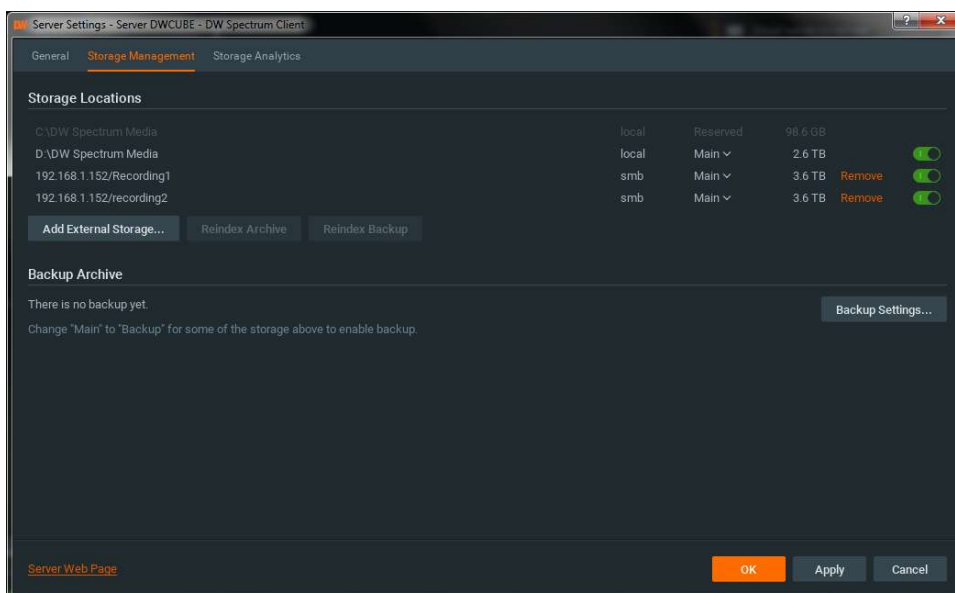
7. Select storage type as either Main or Backup. (Refer to the DW Spectrum IPVMS manual for detail information of the storage type)

8. If you are adding a Blackjack NAS model with 2 volumes, you can add the second volume by repeating 3 -6.

E.g. URL : \\192.168.0.152\Recording2

Login : admin

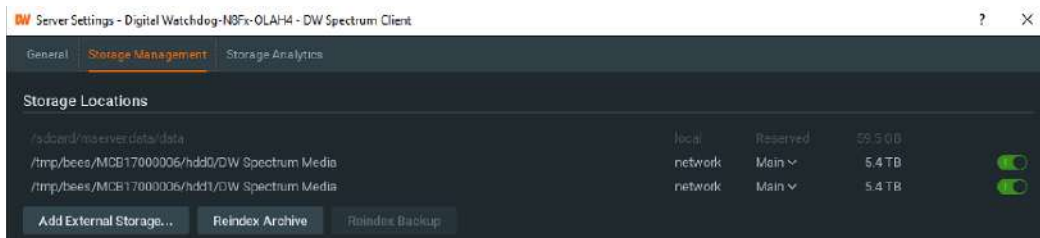
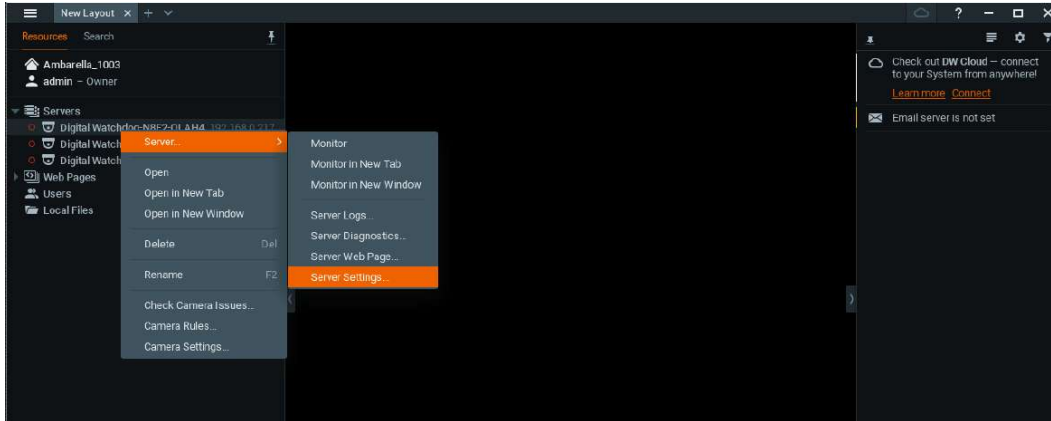
Password : admin1234



9. Click Apply or OK to save the changes

CONFIGURE STORAGE FOR CAAS

CAAS Cameras will detect the Blackjack NAS if it's on the same network and add to the Storage Location automatically.



1. Enable the NAS storage
2. Select storage type as either Main or Backup.
 - *If the Blackjack NAS is set as Main storage, the SD card will be disabled
 - *If the Blackjack NAS is set as Backup, the SD card will be set as main.
3. Go to the Camera Setting and enable recording if it is not enabled.
 - * Refer to the MEGApix[®] CaaS[™] QSG or manual for enabling the recording.

REQUIREMENTS

1. Network : 1Gbps network.
2. MEGApix CaaS: 2nd generation MEGApix CaaS cameras.
3. DW Spectrum IPVMS server: DW Spectrum IPVMS 2.6 or later.