



AVC-NLB51M

NDA
COMPLIANT | CE | FC

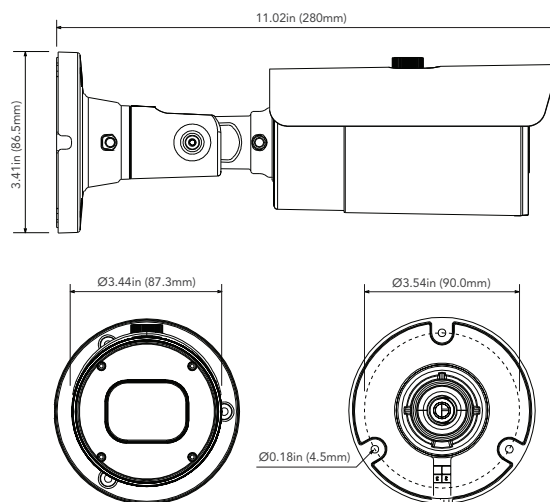
5MP H.265 MOTORIZED LENS BULLET NETWORK CAMERA

OVERVIEW

- 5MP (2592x1944) @ 20fps
- Max. Resolution: 2592x1944
- H.265/H.264, MJPEG (Substream Only) Encoding
- Day & Night AUTO ICR
- Motorized 2.7mm~13.5mm Lens (F 1.8(Wide) ~ 3.3(Tele))
- 3D DNR, D-WDR, BLC and ROI Encoding
- IP67 Ingress Protection
- Built-in micro SD card slot with video and still image capture function (up to 256GB)
- DC12V/PoE power supply
- Support remote monitoring by AVYCON ONE (Mobile APP) and AVYCON CMSONE (CMS)

DIMENSIONS

Unit : inch(mm)



OPTIONAL ACCESSORIES



AVM-JB-BE-S2
JUNCTION BOX



AVM-JB-BE-L1
JUNCTION BOX



AVM-JB-DUAL-UL1
DUAL JUNCTION BOX



AVM-HWM-E-L1
WALL MOUNT



AVM-HCM-E-L1
CEILING MOUNT



AVM-CRM-A1
CORNER



AVM-POM-A1
POLE



AVA-MICSPKSRN
AUDIBLE AND VISUAL

SPECIFICATIONS

| VIDEO | |
|-----------------------------------|--|
| Imaging Device | 1/2.7" Progressive CMOS |
| Resolution | Main Stream: 2592x1944, 2560x1440, 2592x1520, 2304x1296, 1920x1080, 1280x960, 1280x720 Sub Stream: 1280x720, 640x480, 320x240 Mobile Stream: 320x240 |
| Max. Framerate | Main Stream: Max. 20fps/20fps (60Hz/50Hz) @ 5MP 30fps/25fps (60Hz/50Hz) @ 4MP Sub Stream: Max. 20fps (60Hz/50Hz) Mobile Stream: Max. 20fps (60Hz/50Hz) |
| Min. Illumination | Color: 0.004 lux @ F1.6 (AGC on) B/W: 0 lux (IR LED on) |
| Compression | Video: H.265/H.264 Main Profile, MJPEG (Sub Stream Only) Audio: G.711a / G.711u |
| Bitrate Control | CBR or VBR (256Kbps ~ 8Mbps) |
| LENS | |
| Focal Length (Zoom Ratio) | 2.7~13.5mm |
| Max. Aperture Ratio | F1.8 (Wide)~3.3 (Tele) |
| Angular Field of View | Horizontal: 102°(W)~31°(T), Vertical: 73°(W)~23°(T), Diagonal: 138°(W)~38°(T) |
| Min. Object Distance | 0.98ft (0.3M) |
| Focus Control | Simple Focus |
| Lens Type | Motorized (Ø14) |
| PAN / TILT / ROTATE | |
| Pan / Tilt / Rotate Adjustment | Manual Adjustment |
| OPERATIONAL | |
| Camera Title | Title Displayed up to 32 characters |
| Day & Night | AUTO (ICR) |
| Exposure Compensation | BLC, D-WDR |
| Digital Noise Reduction | 3D DNR |
| Digital Image Stabilization | N/A |
| Motion Detection | Rectangle Grid (8 Levels of Sensitivity) |
| Privacy Masking | 4 Rectangle Zones |
| Gain Control | AUTO |
| White Balance | AUTO / MANUAL |
| LDC | N/A |
| Electronic Shutter Speed | AUTO / Manual (1/5 ~ 1/20000s) |
| Video Rotation | Flip / Mirror |
| Analytics | N/A |
| Alarm I/O | 1 Input / 1 Output |
| Alarm Triggers | Motion, Alarm, Sound Detection |
| Alarm Events | Notification via E-mail, Image file upload via FTP, Video file upload via FTP, Image file upload to Cloud (Dropbox), Video file upload to Cloud (Dropbox), Alarm Out, Micro SD recording at event triggered, Event Push via HTTP / UDP |
| Audio In | 1 Line-In (RCA) |
| Audio Out | 1 Line-Out (RCA) |
| IR Viewable Length | 147ft (45M) |
| NETWORK | |
| Ethernet | RJ45 (10/100BASE-T) |
| Streaming | Unicast / Multicast |
| Protocol | TCP/IP, HTTP, DHCP, DNS, DDNS, RTP/RTSP, SMTP, NTP, UPnP, SNMP, HTTPS, FTP |
| Security | Login Authentication, IP Address Filtering, User access log |
| Application Programming Interface | ONVIF Profile S/G/T, REST API |
| GENERAL | |
| Webpage Language | English, Korean |
| Edge Storage | Micro SD/SDHC/SDXC Slot (up to 256GB) with video and still image capture function |
| Memory | N/A |
| ENVIRONMENTAL & ELECTRICAL | |
| Operating Temperature / Humidity | -31°~140°F (-35°~+60°C) / less than ≤ 95% RH |
| Storage Temperature / Humidity | |
| Certification | IP67 |
| Input Voltage | PoE (IEEE802.3at) / 12VDC |
| Power Consumption | Max. 3.5W (IR LED off), Max. 8.5W (IR LED on) |
| MECHANICAL | |
| Color / Material | White / Metal |
| Product Dimensions / Weight | Ø11.02x3.41in (280x86.5mm) / 1.75lbs (792g) |
| DORI (EN62676-4-STANDARD) | |
| Detect (25PPM / 8PPF) | |
| Observe (63PPM / 19PPF) | |
| Recognize (125PPM / 38PPF) | |
| Identify (250PPM / 76PPF) | |