



AVC-NSV21F28 **AI**

NDA
COMPLIANT | CE | FC

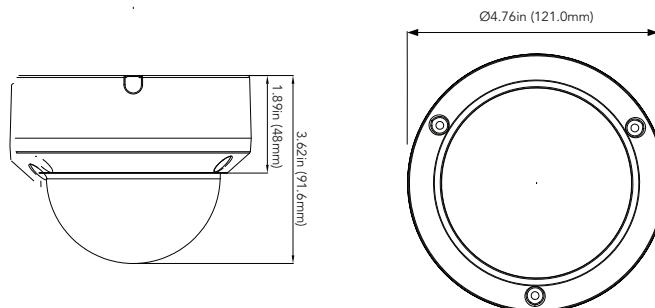
2MP H.265 FIXED VANDAL DOME NETWORK CAMERA

OVERVIEW

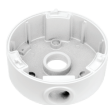
- 2MP (1920x1080) @ 30 fps
- Max. resolution: 1920x1080
- H.265, H.264, MJPEG Encoding
- Day & Night AUTO ICR
- 2.8mm Fixed Lens (F1.6)
- 3D DNR, WDR, HLC, BLC, ROI encoding
- Intelligent Analytics
- Built-in micro SD card slot with video and still image capture function (up to 256GB)
- IP67 ingress protection
- DC12V/PoE power supply
- Support remote monitoring by AVYCON ONE (Mobile APP) and AVYCON CMSONE (CMS)

DIMENSIONS

Unit : inch(mm)



OPTIONAL ACCESSORIES



AVM-JB-V-S1
JUNCTION BOX



AVM-CWM-EV-S2
COMPACT
WALL MOUNT



AVM-HWM-V-S1
WALL MOUNT
WITH JUNCTION BOX



AVM-HCM-V-S1
CEILING MOUNT
WITH JUNCTION BOX



AVM-RM-V-S1
RECESSED
CEILING MOUNT



AVM-JB-DUAL-US1
DUAL JUNCTION BOX



AVM-POM-A1
POLE
MOUNT BRACKET



AVM-CRM-A1
CORNER
MOUNT BRACKET

SPECIFICATIONS

VIDEO	
Imaging Device	1/2.8" Progressive CMOS
Resolution	Main Stream: 1080P(1920x1080), 960P(1280x960), 720P(1280x720) @ 30 FPS Sub Stream: 720P(1280x720), VGA(640x480), QVGA(320x240) @ 30FPS Mobile Stream: VGA(640x480), QVGA (320x240) @ 30FPS
Max. Framerate	Main Stream: Max. 30fps/25fps (60Hz/50Hz) Sub Stream: Max. 30fps/25fps (60Hz/50Hz) Mobile Stream: Max. 30fps/25fps (60Hz/50Hz)
Min. Illumination	Color: 0.002 lux @ F1.6 (AGC on) B/W: 0 lux (IR LED on)
Compression	Video: H.265 Main Profile, H.264 High Profile, MJPEG (Sub Stream Only) Audio: G.711a / G.711u
Bitrate Control	CBR or VBR (256Kbps ~ 8Mbps)
LENS	
Focal Length (Zoom Ratio)	2.8mm Fixed
Max. Aperture Ratio	F1.6
Angular Field of View	Horizontal: 105°, Vertical: 56°, Diagonal: 126°
Min. Object Distance	5.9ft (1.8M)
Focus Control	N/A
Lens Type	Fixed (M12)
PAN / TILT / ROTATE	
Pan / Tilt / Rotate Adjustment	Manual Adjustment
OPERATIONAL	
Camera Title	Title Displayed up to 32 characters
Day & Night	AUTO (ICR)
Exposure Compensation	BLC, HLC, WDR
Digital Noise Reduction	3D DNR
Digital Image Stabilization	N/A
Motion Detection	Rectangle Grid (8 Levels of Sensitivity)
Privacy Masking	4 Rectangle Zones
Gain Control	AUTO
White Balance	AUTO / MANUAL
LDC	N/A
Electronic Shutter Speed	AUTO / Manual (1/5 ~ 1/20000s)
Video Rotation	Flip / Mirror
Analytics	Face Detection (FD), Pedestrian & Vehicle Detection (PD&VD), Intrusion Detection (ID), Line Crossing Detection (TD), Tripwire Counting (TC), Stationary Object Detection (OBJ), Heat Map (HM), Crowd Density Detection (CD), Queue Length Detection (QD), License Plate Detection (LPR), Rare Sound Detection (RSD)
Alarm I/O	N/A
Alarm Triggers	Motion, Sound Detection
Alarm Events	Notification via E-mail, Image file upload via FTP, Video file upload via FTP, Image file upload to Cloud (Dropbox), Video file upload to Cloud (Dropbox), Micro SD recording at event triggered, Event Push via HTTP / UDP
Audio In	1 Line-In (RCA)
Audio Out	1 Line-Out (RCA)
IR Viewable Length	65ft (20M)
NETWORK	
Ethernet	RJ45 (10/100BASE-T)
Streaming	Unicast / Multicast
Protocol	TCP/IP, HTTP, DHCP, DNS, DDNS, RTP/RTSP, SMTP, NTP, UPnP, SNMP, HTTPS, FTP
Security	Login Authentication, IP Address Filtering, User access log
Application Programming Interface	ONVIF Profile S/G/T, REST API
GENERAL	
Webpage Language	English, Korean
Edge Storage	Micro SD/SDHC/SDXC Slot (up to 256GB) with video and still image capture function
Memory	N/A
ENVIRONMENTAL & ELECTRICAL	
Operating Temperature / Humidity	-31°~140°F (-35°~+60°C) / less than ≤ 95% RH
Storage Temperature / Humidity	
Certification	IP67
Input Voltage	PoE (IEEE802.3at) / 12VDC
Power Consumption	Max. 3W (IR LED off), Max. 5W (IR LED on)
MECHANICAL	
Color / Material	White / Metal
Product Dimensions / Weight	Ø4.76x1.89in (Ø121x48mm) / 1.01lbs (456g)
DORI (EN62676-4-STANDARD)	
Detect (25PPM / 8PPF)	
Observe (63PPM / 19PPF)	
Recognize (125PPM / 38PPF)	
Identify (250PPM / 76PPF)	