



AVC-NSZ81X25LW **AI**

NDA
COMPLIANT | CE | FC

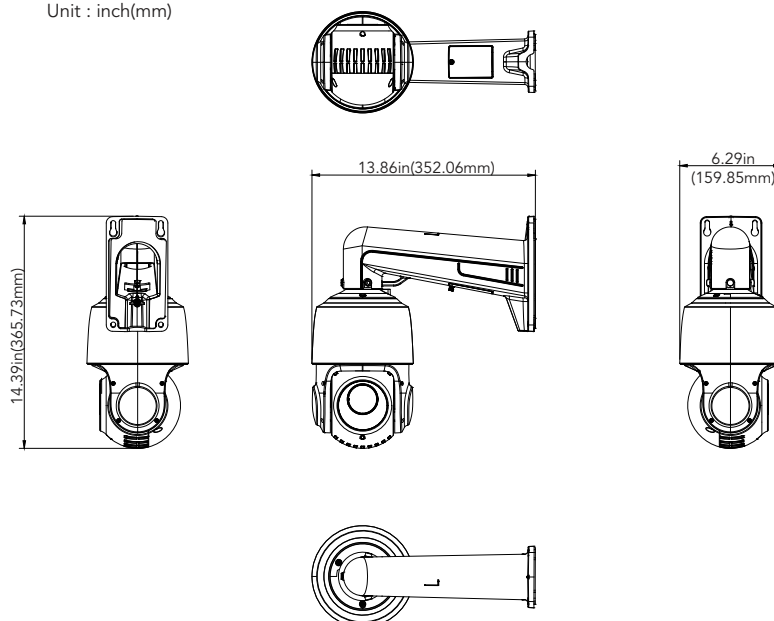
8MP 25X NETWORK IR SPEED DOME CAMERA

OVERVIEW

- 8MP (3840 X 2160)H.265+/H.264+/MJPEG
- Max. resolution: 3840 X 2160 @30fps
- 5 ~ 125mm Motorized Lens (Max F1.6)
- 3D DNR, WDR, HLC, BLC, ROI encoding
- Intelligent Analytics
- Auto Tracking
- Audio : 1 input / 1 output
- Alarm : 1 input / 1 output
- Built-in micro SD card slot with video and still image capture function (up to 256GB)
- IP66 ingress protection
- DC 12V/POE+, max. 25.2W
- Support remote monitoring by AVYCON ONE (Mobile APP) and AVYCON CMSONE (CMS)

DIMENSIONS

Unit : inch(mm)



OPTIONAL ACCESSORIES



AVM-PT-CMT-PM-L1
CEILING MOUNT



AVM-CRM-A1
CORNER MOUNT
BRACKET



AVM-P-POM-A2
POLE MOUNT
BRACKET

SPECIFICATIONS

VIDEO	
Imaging Device	1/2.8" Progressive Scan CMOS
Resolution	Main Stream : 3840x2160,3072x1728,2592x1944, 2592x1520, 2304x1296,1920x1080,1280x960,1280x720 Sub Stream : 1280x720, 640x480, 320x240 Mobile Stream: 640x480, 320x240
Max. Framerate	Main Stream: Max. 30fps/25fps(60Hz/50Hz) Sub Stream: Max. 30fps/25fps (60Hz/50Hz) Mobile Stream : Max. 30fps/25fps (60Hz/50Hz)
Min. Illumination	Color: 0.007 Lux @ (F1.6, AGC ON) B/W: 0 Lux with IR
Video Out	CVBS
LENS	
Focal Length (Zoom Ratio)	5mm to 125mm
Max. Aperture Ratio	Max. F1.6
Angular Field of View	Horizontal: 59.9°(W)~ 8.9°(T), Vertical: 34.4°(W)~ 4.8°(T), Diagonal: 67.1°(W)~ 5.1°(T)
Min. Object Distance	2.62ft (0.8M) (Wide) ~ 3.28ft (1M) (Tele)
Focus Control	Auto,manual
Lens Type	Motorized
PAN / TILT / ROTATE	
Pan / Tilt / Rotate Range	360° / -10° to 90° (auto flip)
OPERATIONAL	
Camera Title	Title displayed up to 32 characters
Day & Night	IR cut filter
Backlight Compens	BLC, HLC, WDR
Digital Noise Reduction	3D DNR
Digital Image Stabilization	N/A
Motion Detection	Rectangle Grid (8 Levels of Sensitivity)
Privacy Masking	4 Rectangle Zones
Gain Control	AUTO
White Balance	AUTO / MANUAL
LDC	N/A
Electronic Shutter Speed	AUTO / Manual (1/5 ~ 1/20000s)
Video Rotation	Flip / Mirror
Analytics	Face Recognition, Human & Vehicle Detection, Perimeter Intrusion Detection, Line Crossing Detection, Stationary Object Detection, Crossing Counting, Heat Map, Crowd Density Detection, Queue Length Detection, License Plate Detection, Rare Sound, Loitering Detection, Region Entrance, Region Exiting
Alarm I/O	1 input, 1 output
Alarm Triggers	Motion, Sound Detection
Alarm Events	Notification via E-mail, Image file upload via FTP, Video file upload via FTP, Image file upload to Cloud (Dropbox), Video file upload to Cloud (Dropbox), Micro SD recording at event triggered, Event Push via HTTP / UDP
Audio In	1 input
Audio Out	1 output
IR Viewable Length	IR Distance: up to 328ft(100m)
NETWORK	
Ethernet	RJ45(10/100BASE-T)
Video Compression	H.265+/H.265 Main Profile, H.264+/H.264 High Profile,MJPEG(Sub Stream Only)
Audio Compression	G.711a / G.711u
Bitrate Control	16 kbps to 16384 kbps
Streaming	Unicast/Multicast
Protocol	IPv4/IPv6, HTTP, HTTPS, FTP, SMTP, UPnP, SNMP, DNS, DDNS, NTP, RTSP, TCP/IP, UDP, DHCP, PPPoE,
Security	Password protection, complicated password, HTTPS encryption, IP address filter,control timeout settings
Application Programming Interface	Onvif (Profile S, Profile G, Profile T),Http API
GENERAL	
Webpage Language	English, Korean
Edge Storage	Micro SD/SDHC/SDXC Slot (up to 256GB) with video and still image capture function
Memory	N/A
ENVIRONMENTAL & ELECTRICAL	
Operating Temperature / Humidity	-22 °F to 149 °F(-30 °C to 60 °C). Humidity 90% or less (non-condensing)
Storage Temperature / Humidity	
Certification	IP66
Input Voltage	DC 12V/PoE+
Power Consumption	25.2W
MECHANICAL	
Color / Material	White / Metal
Product Dimensions / Weight	Ø 6.3" × 10.6"(Ø 160 mm × 270 mm) / 5.58lb.(2.53 kg)
DORI (EN62676-4 STANDARD)	
Detect (25PPM/ 8PPF)	
Observe (63PPM/ 19PPF)	
Recognize (125PPM/ 38PPF)	
Identify (250PPM/ 76PPF)	