



AVC-PT92X30L(W/C)

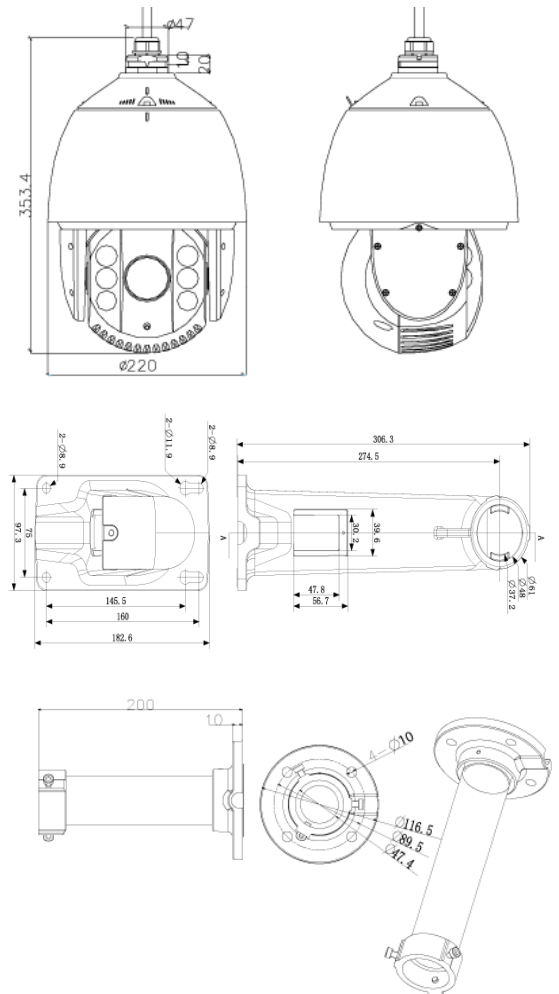
HD-TVI IN/OUTDOOR 30X IR PTZ CAMERA

OVERVIEW

- 0 LUX MINIMUM ILLUMINATION
- UP TO 120M IR DISTANCE
- IR LIGHT MTBF REACHING UP TO 30,000 HOURS
- 1/3" HIGH PERFORMANCE CMOS, UP TO 1920X1080 RESOLUTION
- $\pm 0.1^\circ$ PRESET ACCURACY
- SELF-ADAPTIVE TO PELCO-P/D PROTOCOL
- 3D INTELLIGENT POSITIONING FUNCTION
- POWER-OFF MEMORY FUNCTION: RESTORE PTZ & LENS STATUS AFTER REBOOT
- BUILT-IN TEMPERATURE SENSOR, WITH DISPLAY OF INTERNAL TEMPERATURE
- LIGHTNING PROTECTION, SURGE PROTECTION AND VOLTAGE TRANSIENT PROTECTION
- IP66 STANDARD (OUTDOOR DOME)
- IMPACT PROTECTION: IEC60068-2-75 TEST, EH, 20J; EN50102, UP TO IK10
- RS-485 COMMUNICATION DIAGNOSIS
- SCHEDULED PTZ MOVEMENT
- UTC (UP THE COAX) FUNCTION
- AUTO FOCUS, AUTO WHITE BALANCE, BACKLIGHT COMPENSATION AND AUTO/MANUAL DAY & NIGHT SWITCH
- PRIVACY MASKS PROGRAMMABLE
- 3D DNR, DIGITAL WDR
- 360° ENDLESS PAN RANGE AND -5° - 90° TILT RANGE
- 300°/S PAN PRESET SPEED AND 200°/S TILT PRESET SPEED
- 0.1°-250°/S MANUAL PAN SPEED AND 0.1°-150°/S MANUAL TILT SPEED
- 256 PRESETS PROGRAMMABLE; PRESET IMAGE FREEZING CAPABILITY
- 8 PATROLS, UP TO 32 PRESETS PER PATROL
- 4 PATTERNS, WITH THE TOTAL RECORDING TIME NOT LESS THAN 10 MINUTES
- PROPORTIONAL ZOOM FUNCTION
- PARK ACTION: AUTO CALL UP OF PTZ MOVEMENT, AFTER A DEFINED TIME OF INACTIVITY

DIMENSIONS

Unit : inch(mm)



SPECIFICATIONS

DESCRIPTION	
IMAGE SENSOR	1/3" CMOS
MAX. IMAGE RESOLUTION	1920 (H) × 1080 (V) = 2.07M
FRAME RATE	50HZ:25FPS(1280X1080) / 60HZ:30FPS(1280X1080)
MIN.ILLUMINATION	COLOR: 0.02LUX@(F1.6,AGC ON), B/W: 0.002LUX@(F1.6,AGC ON), 0 LUX WITH IR
HD VIDEO OUTPUT	1 HD-TVI OUT (UP TO 1200FT WITH RG59U 95%)
WHITE BALANCE	AUTO / MANUAL / ATW / INDOOR / OUTDOOR
S/N RATIO	50dB
3D DNR	SUPPORT
WDR	DIGITAL WDR
SHUTTER TIME	PAL: 1-1/10,000S, NTSC: 1-1/10,000S
DAY & NIGHT	IR CUT FILTER
OPTICAL ZOOM	30X
DIGITAL ZOOM	16X
PRIVACY MASK	8 PRIVACY MASKS PROGRAMMABLE; A MAXIMUM OF 8 ZONES CAN BE MASKED SIMULTANEOUSLY ON THE SAME VIDEO SCREEN
FOCUS MODEL	AUTO / SEMIAUTOMATIC / MANUAL
FOCAL LENGTH	4-120mm, 30X
ZOOM SPEED	APPROX.3.0S(OPTICAL WIDE-TELE)
ANGLE OF VIEW	58-21.7 DEGREE(WIDE-TELE)
MIN. WORKING DISTANCE	10-1500mm (WIDE-TELE)
APERTURE	F1.6-F4.4
PAN RANGE	360° ENDLESS
PAN SPEED	PAN MANUAL SPEED: 0.1°-160°/S, PAN PRESET SPEED: 240°/S
TILT RANGE	-15°-90° (AUTO FLIP)
TILT SPEED	TILT MANUAL SPEED: 0.1°-120°/S, TILT PRESET SPEED: 200°/S
RS-485 COMMUNICATION DIAGNOSIS	PELCO-P, PELCO-D, OSD (UTC CONTROL) VIA DVR
PROPORTIONAL ZOOM	ROTATION SPEED CAN BE ADJUSTED AUTOMATICALLY ACCORDING TO ZOOM MULTIPLES
NUMBER OF PRESET	256
PATROL	8 PATROLS, UP TO 32 PRESETS PER PATROL
PATTERN	4 PATTERNS, WITH THE TOTAL RECORDING TIME NOT LESS THAN 10 MINUTES
POWER-OFF MEMORY	SUPPORT
PARK ACTION	PRESET / PATROL / PATTERN / PAN SCAN / TILT SCAN / FRAME SCAN / RANDOM SCAN / PANORAMA SCAN
PTZ POSITION DISPLAY	ON / OFF
PRESET FREEZING	SUPPORT
SCHEDULED TASK	PRESET / PATROL / PATTERN / PAN SCAN / TILT SCAN / FRAME SCAN / RANDOM SCAN / PANORAMA SCAN
IR DISTANCE	360 FT
IR INTENSITY	AUTOMATICALLY ADJUSTED, DEPENDING ON THE ZOOM RATIO
MONITOR OUTPUT	1 TURBO HD1080P OUTPUT, 1.0V[P-P] / 75Ω, NTSC (OR PAL) COMPOSITE, BNC
RS-485 INTERFACE	HALF-DUPLEX MODE, SELF-ADAPTIVE HIKVISION, PELCO-P, PELCO-D PROTOCOL
POWER	24VAC(FOR -A MOEL), MAX. 30W(IR: 9W, HEATER: 6W)
WORKING TEMPERATURE / HUMIDITY	-30 °C-65°C(-22°F-149°F) 90% OR LESS
PROTECTION LEVEL	IP66 STANDARD, TVS 4,000V LIGHTNING PROTECTION, SURGE PROTECTION AND VOLTAGE TRANSIENT PROTECTION
MOUNTING	VARIOUS MOUNTING MODES OPTIONAL
DIMENSIONS	Ø220×353.4mm (Ø8.66"×13.91")
WEIGHT	12.13LBS