



# SPB-VAN89W

Backbox



## Key Features

- Material : Top cover : Aluminum + PC / Dome bubble : Hard-coated Polycarbonate(PC)
- Dimensions : Ø177x93.7mm(Ø6.97x3.69")
- Weight : 350g(0.77lb)
- Color : Top cover : White / Dome bubble : Transparent smoked

Supported products: XNV-6083RZ/8083RZ/9083RZ/8083Z/6083Z

※ For further compatible models, please visit our website or use Toolbox

# SPB-VAN89W

Backbox



## Specifications

### Environmental

Certification	IP67, IP66
---------------	------------

### Mechanical

Color	Top cover : White Dome bubble : Transparent smoked
Material	Top cover : Aluminum + PC Dome bubble : Hard-coated Polycarbonate(PC)
RAL code	RAL9003
Product dimensions / weight	Ø177x93.7mm(Ø6.97x3.69"), 350g(0.77lb)
Supported products	XNV-6083RZ/8083RZ/9083RZ/8083Z/6083Z ※ For further compatible models, please visit our website or use Toolbox

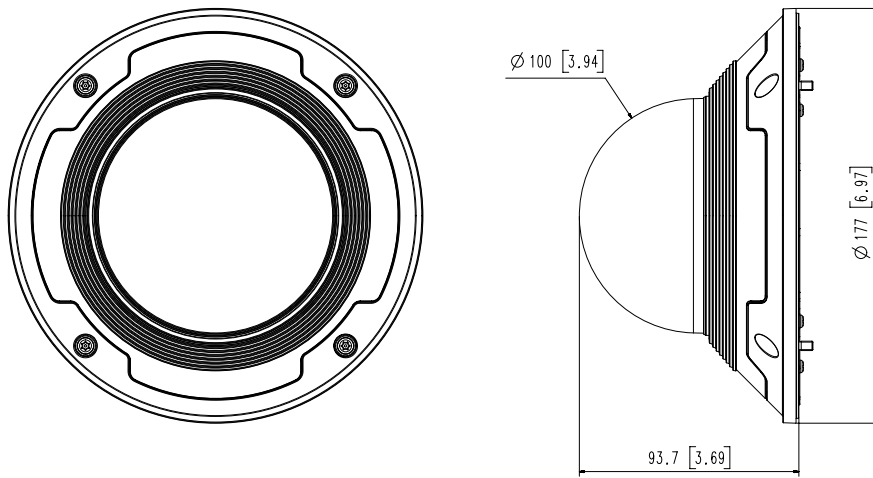
# SPB-VAN89W

Backbox



CAD

Unit: mm [inch]



3		
2		
1	SPB-VAN89W	22.09.15
No.	MODEL NAME	DATE
Unit: mm [inch]		SCALE: 1/1
© Hanwha Techwin		

A2

© Hanwha Techwin Co., Ltd. All rights reserved.