

## T72xxUxTAxxC 5MP ColorVu TurboHD Kit



### T7204U1TA4C:

- 5MP 4-ch DVR iDS-7204HUHI-M1/S with 1TB HDD
- 5MP TURBO ColorVu TURRET CAMERAS (4) DS-2CE70KF0T-MFS(2.8mm)

### T7208U2TA6C:

- 5MP 8-ch DVR iDS-7208HUHI-M1/S with 2TB HDD
- 5MP TURBO ColorVu TURRET CAMERAS (6) DS-2CE70KF0T-MFS(2.8mm)

### T7216U4TA12C:

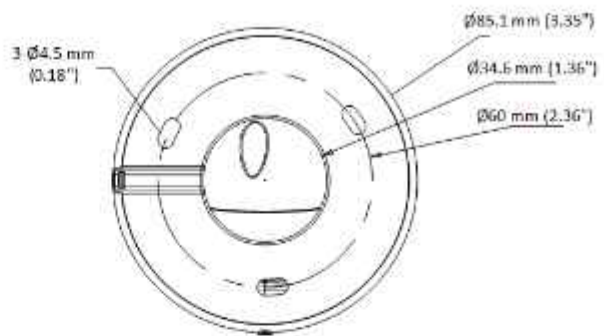
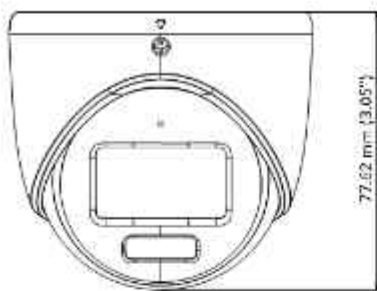
- 5MP 16-ch DVR iDS-7216HUHI-M1/S with 4TB HDD
- 5MP TURBO ColorVu TURRET CAMERAS (12) DS-2CE70KF0T-MFS(2.8mm)



## ▪ Camera Specification

Camera - DS-2CE70KF0T-MFS	
Image Sensor	5MP CMOS
Signal System	PAL/NTSC
Resolution	2960 (H) × 1665 (V)
Frame Rate	TVI: 5MP @20fps, 4 MP@25fps/30fps, 1080p@25fps/30fps AHD: 5 MP@20fps, 4 MP@25fps/30fps CVI: 4 MP@25fps/30fps CVBS: PAL/NTSC
Min. Illumination	0.001 Lux @ (F1.0, AGC ON), 0 Lux with white light
Shutter Time	PAL: 1/25 s to 1/50,000 s; NTSC: 1/30 s to 1/50,000 s
Lens	2.8 mm fixed focal lens
Field of View	2.8 mm, horizontal FOV: 102°, vertical FOV: 56°, diagonal FOV: 122°
Lens Mount	M12
Light Alarm	Solid Light Alarm (White Light)
Day & Night	24/7 Color Imaging
WDR (Wide Dynamic Range)	Digital WDR
Angle Adjustment	Pan: 0° to 360°, Tilt: 0° to 75°, Rotation: 0° to 360°
Image	
White Light	Auto/Off
Image Mode	STD/HIGH-SAT/HIGHLIGHT
AGC	Yes
Day/Night Mode	Color
White Balance	Auto/Outdoor/Global/Manual
AE (Auto Exposure) Mode	DWDR, BLC, HLC, Global, HLS
Noise Reduction	2D DNR
Language	English
Function	Brightness, Contrast, Mirror, Defective Pixel Correction, Sharpness, Anti-Banding, Smart Light
Interface	
Video Output	Switchable TVI/AHD/CVI/CVBS
Audio In	Built-in mic
General	
Operating Conditions	-40°C to 60°C (-40°F to 140°F), Humidity: 90% or less (non-condensing)
Power Supply	12 VDC ± 25%, <i>*You are recommended to use one power adapter to supply the power for one camera.</i>
Consumption	Max. 2.5 W
Protection Level	IP67
Material	Metal
White Light Range	Up to 20 m
Communication	HIKVISION-C
Dimension	Φ 85.1 mm × 77.62 mm (Φ 3.35" × 3.05")
Weight	Approx. 328 g (0.72 lb.)

▪ **Dimension**



▪ **Accessory**

▪ **Optional**

<b>CBXS</b> <b>Junction box</b>	<b>WMS+PC110T</b> <b>Wall mount</b>	<b>PM</b> <b>Vertical pole mount</b>	<b>CM</b> <b>Corner mount</b>
			

## DVR Specification for T7204U1TA4C and T7208U2TA6C

Model	iDS-7204HUHI-M1/S	iDS-7208HUHI-M1/S
<b>Motion Detection 2.0<sup>1</sup></b>		
Human/Vehicle Analysis	Deep learning-based motion detection 2.0 is enabled by default for all analog channels, it can classify human and vehicle, and extremely reduce false alarms caused by objects like leaves and lights; Quick search by object or event type is supported;	
<b>Perimeter Protection<sup>1</sup></b>		
Human/Vehicle Analysis	Up to 4-ch	
<b>Recording</b>		
Video compression	H.265 Pro+/H.265 Pro/H.265/H.264+/H.264	
Encoding resolution	Main stream: 8 MP@8 fps/5 MP@12 fps/3K@12 fps/4 MP@15 fps/8 MP Lite@15 fps/3 MP@18 fps 1080p/720p/WD1/4CIF/VGA/CIF@25 fps (P)/30 fps (N) *: 8 MP@8 fps is only available for channel 1, 8 MP Lite is only available for channel 2 to channel 4.	Main stream: 8 MP@8 fps/5 MP@12 fps/3K@12 fps/4 MP@15 fps/3 MP@18 fps 1080p/720p/WD1/4CIF/VGA/CIF@25 fps (P)/30 fps (N)
	Sub-stream: WD1/4CIF/CIF@25 fps (P)/30 fps (N)	
Video bitrate	32 Kbps to 10 Mbps	
Dual stream	Support	
Stream type	Video, Video & Audio	
Audio compression	G.711u	
Audio bitrate	64 Kbps	
<b>Video and Audio</b>		
IP video input <sup>2</sup>	2-ch (up to 6-ch)	4-ch (up to 12-ch)
	Enhanced IP mode on: 4-ch (up to 8-ch), each up to 4 Mbps	Enhanced IP mode on: 8-ch (up to 16-ch), each up to 4 Mbps
	Up to 8 MP resolution Support H.265+/H.265/H.264+/H.264 IP cameras	
Analog video input	4-ch	8-ch
	BNC interface (1.0 Vp-p, 75 Ω), supporting coaxitron connection	
HDTV input	8 MP@15 fps, 5 MP@20 fps, 3K@20 fps, 4 MP@30 fps, 4 MP@25 fps, 3 MP@18 fps, 1080p@30, 1080p@25 fps, 720p@60 fps, 720p@50 fps, 720p@30 fps, 720p@25 fps	8 MP@15 fps, 5 MP@20 fps, 3K@20 fps, 4 MP@30 fps, 4 MP@25 fps, 3 MP@18 fps, 1080p@30 fps, 1080p@25 fps, 720p@60 fps, 720p@50 fps, 720p@30 fps, 720p@25 fps
AHD input	5 MP@20 fps, 4 MP@25 fps, 4 MP@30 fps, 1080p@25 fps, 1080p@30 fps, 720p@25 fps, 720p@30 fps	
HDCVI input	5 MP@20 fps, 4 MP@25 fps, 4 MP@30 fps, 1080p@25 fps, 1080p@30 fps, 720p@25 fps, 720p@30 fps	

<b>CVBS input</b>	PAL/NTSC	
<b>CVBS output</b>	1-ch, BNC (1.0 Vp-p, 75 Ω), resolution: PAL: 704 × 576, NTSC: 704 × 480	
<b>VGA output</b>	1-ch, 1920 × 1080/60Hz, 1280 × 1024/60Hz, 1280 × 720/60Hz	1-ch, 1920 × 1080/60Hz, 1280 × 1024/60Hz, 1280 × 720/60Hz
<b>HDMI output</b>	1-ch, 2K (2560 × 1440)/60Hz, 1920 × 1080/60Hz, 1280 × 1024/60Hz, 1280 × 720/60Hz	1-ch, 4K (3840 × 2160)/30Hz, 2K (2560 × 1440)/60Hz, 1920 × 1080/60Hz, 1280 × 1024/60Hz, 1280 × 720/60Hz
<b>Video output mode</b>	HDMI/VGA simultaneous output	
<b>Audio input<sup>3</sup></b>	1-ch (up to 4-ch is optional), RCA (2.0 Vp-p, 1 KΩ)	1-ch (up to 8-ch is optional), RCA (2.0 Vp-p, 1 KΩ)
	4-ch via coaxial cable	8-ch via coaxial cable
<b>Audio output</b>	1-ch, RCA (Linear, 1 KΩ)	
<b>Two-way audio</b>	1-ch, RCA (2.0 Vp-p, 1 KΩ) (using the audio input)	
<b>Synchronous playback</b>	4-ch	8-ch
<b>Network</b>		
<b>Remote connections</b>	32	64
<b>Network protocols</b>	TCP/IP, PPPoE, DHCP, Hik-Connect, DNS, DDNS, NTP, SADP, NFS, iSCSI, UPnP™, HTTPS, ONVIF	
<b>Network interface</b>	1, RJ45 10/100 Mbps self-adaptive Ethernet interface	1, RJ45 10/100/1000 Mbps self-adaptive Ethernet interface
<b>Wi-Fi</b>	Connectable to Wi-Fi network by Wi-Fi dongle through USB interface	
<b>Auxiliary interface</b>		
<b>SATA</b>	1 SATA interface	
<b>Capacity</b>	Up to 10 TB capacity for each disk	
<b>Serial interface</b>	RS-485 (half-duplex)	
<b>USB interface</b>	Front panel: 1 × USB 2.0	Front panel: 1 × USB 2.0
	Rear panel: 1 × USB 2.0	Rear panel: 1 × USB 3.0
<b>Alarm in/out<sup>3</sup></b>	N/A (optional to support)	
<b>General</b>		
<b>Power supply</b>	12 VDC, 1.5 A	12 VDC, 2 A
<b>Consumption (without HDD)</b>	≤ 10 W	≤ 15 W
<b>Working temperature</b>	-10 °C to +55 °C (+14 °F to +131 °F)	
<b>Working humidity</b>	10% to 90%	
<b>Dimension (W × D × H)</b>	315 × 242 × 45 mm (12.4 × 9.5 × 1.8 inch)	
<b>Weight (without HDD)</b>	≤ 1.16 kg (2.6 lb)	≤ 2 kg (4.4 lb)

## DVR Specification for T7216U4TA12C

<b>Model</b>	iDS-7216HUHI-M2/S
<b>Motion Detection 2.0<sup>1</sup></b>	
<b>Human/Vehicle Analysis</b>	Deep learning-based motion detection 2.0 is enabled by default for all analog channels, it can classify human and vehicle, and extremely reduce false alarms caused by objects like leaves and lights; Quick search by object or event type is supported;
<b>Perimeter Protection<sup>1</sup></b>	
<b>Human/Vehicle Analysis</b>	Up to 4-ch
<b>Recording</b>	
<b>Video compression</b>	H.265 Pro+/H.265 Pro/H.265/H.264+/H.264
<b>Encoding resolution</b>	Main stream: 8 MP@8 fps/5 MP@12 fps/3K@12 fps/4 MP@15 fps/3 MP@18 fps 1080p/720p/WD1/4CIF/VGA/CIF@25 fps (P)/30 fps (N) Sub-stream: WD1/4CIF/CIF@25 fps (P)/30 fps (N)
<b>Video bit rate</b>	32 Kbps to 10 Mbps
<b>Dual stream</b>	Support
<b>Stream type</b>	Video, Video & Audio
<b>Audio compression</b>	G.711u
<b>Audio bit rate</b>	64 Kbps
<b>Video and Audio</b>	
<b>IP video input<sup>2</sup></b>	8-ch (up to 24-ch) Enhanced IP mode on: 16-ch (up to 32-ch), each up to 4 Mbps Up to 8 MP resolution Support H.265+/H.265/H.264+/H.264 IP cameras
<b>Analog video input</b>	16-ch BNC interface (1.0 Vp-p, 75 Ω), supporting coaxitron connection
<b>HDTVI input</b>	8 MP@15 fps, 5 MP@20 fps, 3K@20 fps, 4 MP@30 fps, 4 MP@25 fps, 3 MP@18 fps, 1080p@30 fps, 1080p@25 fps, 720p@60 fps, 720p@50 fps, 720p@30 fps, 720p@25 fps
<b>AHD input</b>	5 MP@20 fps, 4 MP@30 fps, 1080p@25 fps, 1080p@30 fps, 720p@25 fps, 720p@30 fps
<b>HDCVI input</b>	4 MP@30 fps, 4 MP@25 fps, 1080p@25 fps, 1080p@30 fps, 720p@25 fps, 720p@30 fps
<b>CVBS input</b>	PAL/NTSC
<b>CVBS output</b>	1-ch, BNC (1.0 Vp-p, 75 Ω), resolution: PAL: 704 × 576, NTSC: 704 × 480
<b>VGA output</b>	1-ch, 1920 × 1080/60Hz, 1280 × 1024/60Hz, 1280 × 720/60Hz HDMI/VGA simultaneous output
<b>HDMI output</b>	1-ch, 4K (3840 × 2160)/30Hz, 2K (2560 × 1440)/60Hz, 1920 × 1080/60Hz, 1280 × 1024/60Hz, 1280 × 720/60Hz, HDMI/VGA simultaneous output
<b>Audio input<sup>3</sup></b>	4-ch, RCA (2.0 Vp-p, 1 KΩ) 16-ch via coaxial cable
<b>Audio output</b>	1-ch, RCA (Linear, 1 KΩ)
<b>Two-way audio</b>	1-ch, RCA (2.0 Vp-p, 1 KΩ) (using the audio input)
<b>Synchronous playback</b>	16-ch
<b>Network</b>	
<b>Remote connection</b>	128
<b>Network protocol</b>	TCP/IP, PPPoE, DHCP, Hik-Connect, DNS, DDNS, NTP, SADP, NFS, iSCSI, UPnP™, HTTPS, ONVIF
<b>Network interface</b>	1, RJ45 10/100/1000 Mbps self-adaptive Ethernet interface
<b>Wi-Fi</b>	Connectable to Wi-Fi network by Wi-Fi dongle through USB interface
<b>Auxiliary interface</b>	

<b>SATA</b>	2 SATA interfaces
<b>Capacity</b>	Up to 10 TB capacity for each disk
<b>Serial interface</b>	RS-485 (half-duplex)
<b>USB interface</b>	Front panel: 1 × USB 2.0 Rear panel: 1 × USB 3.0
<b>Alarm in/out<sup>3</sup></b>	N/A (optional to support)
<b>General</b>	
<b>Power supply</b>	12 VDC, 5 A
<b>Consumption (without HDD)</b>	≤ 19 W
<b>Working temperature</b>	-10 °C to +55 °C (+14 °F to +131 °F)
<b>Working humidity</b>	10% to 90%
<b>Dimension (W × D × H)</b>	380 × 320 × 48 mm (15.0 × 12.6 × 1.9 inch)
<b>Weight (without HDD)</b>	≤ 2.1 kg (4.6 lb)

**Note:**

- 1: Motion detection 2.0 and perimeter protection cannot be enabled at the same time. Enable one function will make the other one unavailable.
- 2: Enhanced IP mode might be conflicted with smart events (face picture comparison, motion detection 2.0 and perimeter protection) or other functions, please refer to the user manual for details.
- 3: The number of audio inputs and alarm in/out can be optional. The tag on the package will describe audio input and alarm in/out parameters. For example, "4A+8/4ALM" means your device has 4 audio inputs, 8 alarm inputs and 4 alarm outputs. If your device only has 1 audio input, the tag may not describe it.

Distributed by

**HIKVISION****Headquarters**

No.555 Qianmo Road, Binjiang District,  
Hangzhou 310051, China  
T +86-571-8807-5998  
overseasbusiness@hikvision.com

**Hikvision USA**

T +1-909-995-0400  
sales.usa@hikvision.com

**Hikvision Australia**

T +61-2-8599-4233  
salesau@hikvision.com

**Hikvision India**

T +91-22-28469900  
sales@pramatihikvision.com

**Hikvision Canada**

T +1-866-200-6690  
sales.canada@hikvision.com

**Hikvision Thailand**

T +662-275-9949  
sales.thailand@hikvision.com

**Hikvision Europe**

T +31-23-5542770  
sales.eu@hikvision.com

**Hikvision Italy**

T +39-0438-6902  
info.it@hikvision.com

**Hikvision Brazil**

T +55 11 3318-0050  
latam.support@hikvision.com

**Hikvision Turkey**

T +90 216521 7070- 7074  
sales.tr@hikvision.com

**Hikvision Malaysia**

T +601-7652-2413  
sales.my@hikvision.com

**Hikvision UK & Ireland**

T +01628-902140  
sales.uk@hikvision.com

**Hikvision South Africa**

Tel. +27 110 6551172  
sales.africa@hikvision.com

**Hikvision Franco**

T +33011-85-350-450  
info.fr@hikvision.com

**Hikvision Kazakhstan**

T +7-727-6730667  
nikia.parmflov@hikvision.ru

**Hikvision Vietnam**

T +84-974270888  
sales.vi@hikvision.com

**Hikvision UAE**

T +971-4-4432090  
sales.me@hikvision.com

**Hikvision Singapore**

T +65-6564-4718  
sg@hikvision.com

**Hikvision Spain**

T +34-01-757-18-55  
info.es@hikvision.com

**Hikvision Tashkent**

T +99-87-1238-6438  
uzb@hikvision.ru

**Hikvision Hong Kong**

T +852-2151-1761  
info.hk@hikvision.com

**Hikvision Russia**

T +7-495-669-67-99  
sales.ru@hikvision.com

**Hikvision Korea**

T +82-1031-731-8817  
sales.korea@hikvision.com

**Hikvision Poland**

T +48-22-460-01-50  
info.pl@hikvision.com

**Hikvision Indonesia**

T +62-21-2933769  
Sales.Indonesia@hikvision.com

**Hikvision Colombia**

sales.colombia@hikvision.com