



## Professional Video Wall Solutions

Create stunning video walls composed of virtually seamless displays

### 55" Razor-narrow Bezel LCD Monitors

American Dynamics Professional Video Wall Monitors produce sharp, true color images that can be used in security rooms and a variety of other applications.

Display a single video source across multiple monitors to create virtually seamless displays. Arranging 4 monitors into a 2 x 2 configuration creates a 110" 4K Ultra High Definition (UHD) image, making these monitors an excellent choice for command & control centers where fine details are critical.

### Designed for constant use

Unlike plasma technology, LCD video walls require less power. A built-in auto pixel shift feature protects against image burn in of static content making it ideal for constant use.

### Razor-narrow bezel

Individually mounted consumer grade monitors leave distracting gaps between the screens, but with our razor-narrow bezel monitors arranged in a tiled video wall configuration, there are virtually no inter-screen borders.

## Key Features

- Spread one image across multiple monitors using one video source
- Video wall processor built-in
- Remote display management
- Display Port – Input (1)/Output (1)
- HDMI Inputs (3)/VGA Input (1)/DVI Input (1)
- RS-232C Input/Output for PC/Server control
- Control panel lock (panel or IR)
- Auto power recovery
- Auto pixel shift
- All metal chassis
- PIP/PBP/TRI/QUAD displays
- VESA standard hole patterns

# Technical Specifications

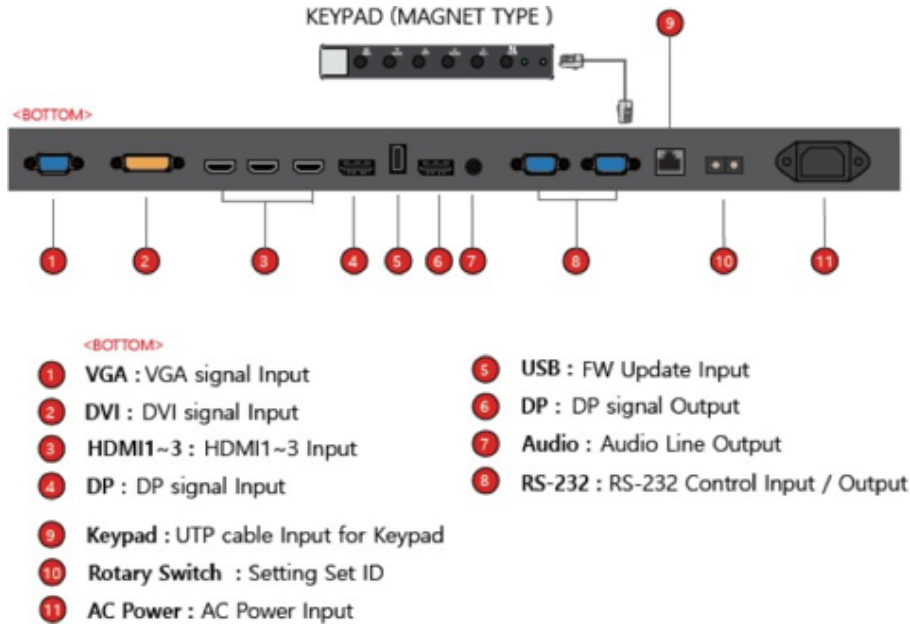
Physical	
Dimensions (H x W x D)	1210.51 x 681.22 x 91.6 mm (47.66" x 26.82" x 3.61")
Weight (Net)	26kg (57.32lbs)
Bezel (T/B/L/R)	0.44/0.44/0.44/0.44 mm
Display	
Screen Size	55"
Max. Resolution	1920 x 1080 @ 60Hz
Pixel Pitch	0.630 x 0.630 mm
Brightness	500cd/m <sup>2</sup>
Contrast Ratio	1100:1
Aspect Ratio	16:9
Viewing Angle	178° / 178°
Display Color	1.07Billion (10bits)
Response Time	< 8ms (Gray to Gray)
Video System	NTSC / PAL
Interface	
Display Port In/Out	1/1
HDMI Input	3
DVI In	1
VGA In	1
RS232 In/Out	1/1
Audio Out (3.5 Ø stereo)	1
Transmitter	
IR Remote Control	Yes
Environmental	
Operating Temperature	0° ~ 40° C / 32° ~ 104° F
Electrical	
Electrical Ratings	AC 100 ~ 240V (50/60Hz)
Power Consumption	< 167W
Features	
Multi Display Function	PBP/PIP/QUAD
Temperature Sensor	Yes (Option)
De-Interlace	Yes
Noise Reduction	Yes
Auto Fan Control System	Yes (Option)
Auto Pixel Shift	Yes
Auto Source Switching	Yes
Edge Setting (Horizontal/ Vertical)	Yes
Advance Auto Power Recovery	Yes
Language	English
RS-232C Control	Monitor OSD control using PC
Mounts	
VESA Mount Size	600 x 400mm

## Warranty

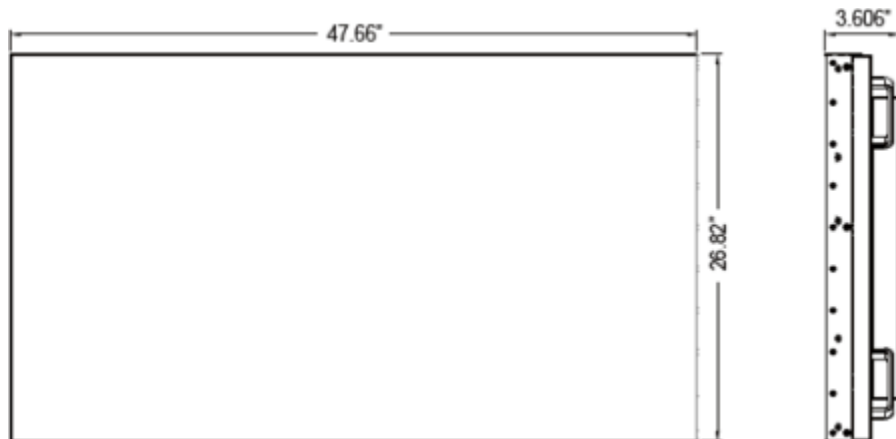
Parts/Labor

3 years

## Monitor Interface



## Dimensions



## Ordering Information

Model Numbers	Description
<b>Monitors</b>	
ADLCD55VWBHD	55" LCD FHD 1080p, HDMI, DP, DVI, VGA
<b>Optional Accessories</b>	
ADWP4370B	Precision wall mount for 43" – 70" displays, Black
ADVC-VWC-5MCBL	victor WS video wall control 5M cable kit (USB to RS232)

---

## About Johnson Controls

At Johnson Controls (NYSE:JCI), we transform the environments where people live, work, learn and play. As the global leader in smart, healthy and sustainable buildings, our mission is to reimagine the performance of buildings to serve people, places and the planet.

Building on a proud history of more than 135 years of innovation, we deliver the blueprint of the future for industries such as healthcare, schools, data centers, airports, stadiums, manufacturing and beyond through OpenBlue, our comprehensive digital offering.

Today, with a global team of 100,000 experts in more than 150 countries, Johnson Controls offers the world's largest portfolio of building technology and software as well as service solutions from some of the most trusted names in the industry.

Visit [www.johnsoncontrols.com](http://www.johnsoncontrols.com) for more information and follow [@Johnson Controls](https://twitter.com/JohnsonControls) on social platforms.

© 2022 Johnson Controls. All rights reserved. Product offerings and specifications are subject to change without notice. Actual products may vary from photos. Not all products include all features. Availability varies by region. Contact your sales representative.