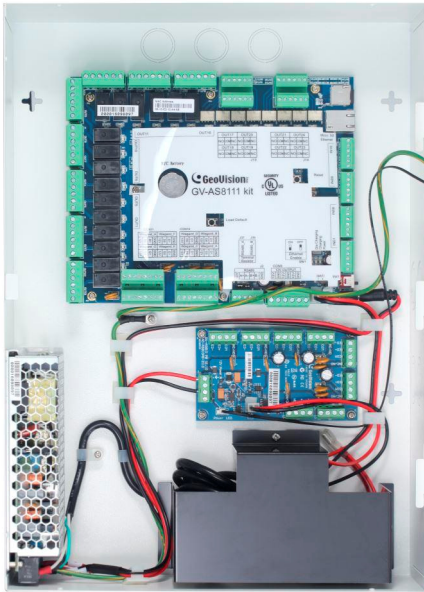


GV-AS8111 Kit



The GV-AS8111 Kit is a cabinet that contains a GV-AS8111, a power adapter board, a power supply and a backup battery case. The power supply powers the GV-AS8111 Kit as well as up to 8 output devices (12V, 0.5A per device).

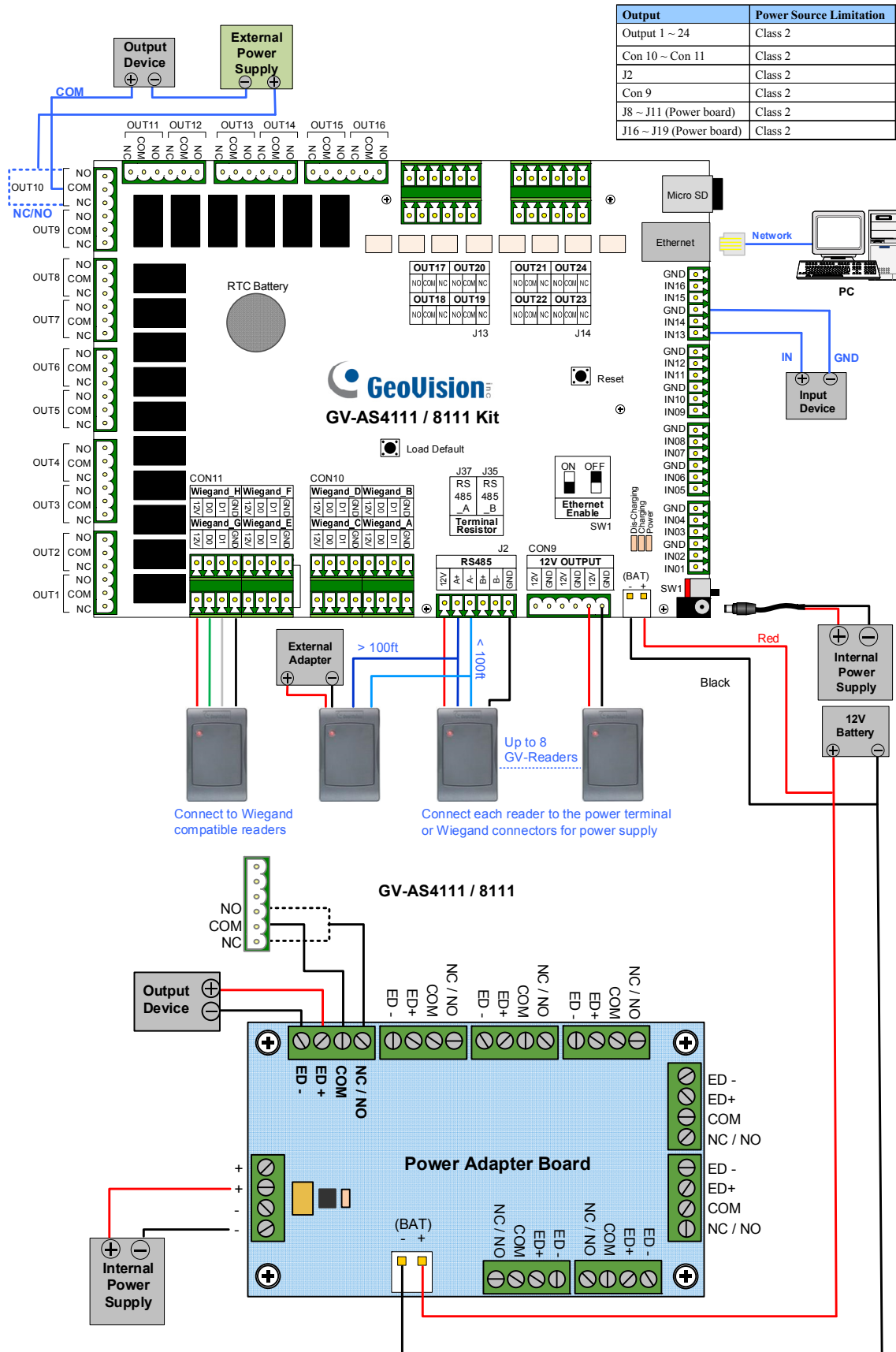
Key Features

- One-way control: 8 doors
- Two-way control:
 - 4 doors by Wiegand only;
 - 8 doors by RS-485 / network;
 - 8 doors with max 4 doors by Wiegand and other doors by RS-485 / network
- 8 Wiegand card readers of 26 to 64 bits
- 16 GV-Readers and GV-GF Fingerprint Readers through RS-485 or network
- Built-in 16 digital inputs and 24 relay outputs
- Suitable for doors, parking gates and elevator call buttons
- Tampering alarm
- UL 294 compliance

Packing List

- GV-AS 8111 Kit (US standard or EU standard)
- Iron box key
- Iron box screw x 6
- Self-adhesive cable tie mounts x 6
- Battery wiring
- Micro SD Card 2 GB
- Software CD
- Warranty Card

GV-AS8111 Kit Standard Application



Specifications

System Requirements		
GV-ASManager Version	GV-ASManager V4.2.3 or later	
Software		
One-Way Control	8 doors	
Two-Way Control	4 doors by Wiegand only 8 doors by RS-485 / network 8 doors with max 4 doors by Wiegand and other doors by RS-485 / network	
Hardware		
CPU	32-bit ARM7TDMI	
Number of User Cards	100,000 cards	
Event Buffer	1,000,000 events and log data	
Power	100 ~ 120V AC, 50 ~ 60 Hz, 1.7A	
RS-485 Interface	2 RS-485 interface for GV-Readers and GV-GF Fingerprint Readers (max. 16 Readers) Distance 600 m (1968.50 ft), 24 AWG, 13V DC min., 85 °C min.	
Wiegand Interface	8 Wiegand interfaces, 26 ~ 64 bit format, distance 100 m (328.1ft), 24 AWG, 13V DC min., 85 °C min.	
TCP/IP Interface	1 TCP/IP interface for GeoVision network readers	
Communication	TCP/IP	
Battery	Built-in battery, replaceable button cell (CR2032)	
Input	16 inputs, dry contact, NO/NC	
Output	1~16 relay output / 30V DC, 3A 17~24 relay output / 30V DC, 1A	
Operating Temperature	0 ~ 65 °C / 32 ~ 149 °F	
Operating Humidity	10% ~ 90% RH (non-condensing)	
Dimensions (W x H x D)	420 x 300 x 110 mm / 16.5 x 11.8 x 4.33 in	
Weight	4.4 kg / 9.68 lb	
Certification	UL 294, CE, FCC, RoHS	
Power Adaptor Board		
Output	DC Voltage Range	12V
	Rated Current	0.5A
	Rated Power	6W
Number of connectors	Input	2
	Output	8
Wire Size (AWG)	12 - 22	
Power Supply		
Output	DC Voltage Range	11V ~ 13V (Nominal 12V)
	Rated Current	13A
	Rated Power	150 W
Input	US Standard (UL)	110 ~ 120V, 50 Hz / 60 Hz, 1.7 A
	EU Standard	200 ~ 240V, 50 Hz / 60 Hz

Note:

1. RS485 and TCP/IP interfaces only support GeoVision readers, while Wiegand interface supports both GeoVision and 3rd party readers (Wiegand 26~64 Bits).
2. GV-AS Controllers do not support 3rd party access control software.
3. UL 294 Attack Class Level 1 depends on other connected equipment.
4. Specifications are subject to change without notice.

Options

Optional devices can expand the capabilities and versatilities of your GV-AS Controllers. Consult your sales representative for more information.

GV-AS ID Card / Key Fob & GV-UHF Tag	125 KHz and 13.56 MHz cards / key fobs, 900 MHz UHF Tag are available.
GV-CR420	GV-CR420 is a card reader with a built-in 4MP wide angle IP camera. The card reader recognizes identification cards and transmits live view through network connection.
GV-CR1320	GV-CR1320 is a card reader with a built-in 2MP wide angle IP camera. The card reader recognizes identification cards and transmits live view through network connection.
GV-DFR1352	GV-DFR1352 is a card reader that uses a 13.56 MHz frequency. The reader has both Wiegand and RS-485 outputs that can be connected to any standard access control panel.
GV-FWC	GV-FWC integrates GeoVision face-recognition-based cameras, software and readers into access control systems by sending access card data, paired to Face IDs, to controllers either through TCP/IP or Wiegand connection.
GV-FR2020	GV-FR2020 is a 13.56 MHz face recognition reader. The reader supports various credentials for access control: Face, Card, Card + Face and Password + Face.
GV-GF Fingerprint Readers	GV-GF1921 / 1922 is a fingerprint reader, supporting three operation modes: Fingerprint Only, Fingerprint + Card and Card Only. Readers with optical and capacitance sensors are available.
GV-IB25 / 65 / 85 Infrared Button	The GV-IB25 / 65 / 85 Infrared Button detects infrared movement within 3 to 12 cm and allows you to open the door with a wave of hand.
GV-Reader 1251	GV-Reader 1251 is a card reader that uses a 125 kHz frequency. The reader has both Wiegand and RS-485 outputs that can be connected to any standard access control panel.
GV-R1352	GV-R1352 is a card reader that uses a 13.56 MHz frequency. The reader has both Wiegand and RS-485 outputs that can be connected to any standard access control panel.
GV-RK1352	GV-RK1352 is a card reader with keypad that uses a 13.56 MHz frequency. The reader has both Wiegand and RS-485 outputs that can be connected to any standard access control panel.
GV-RU9003	GV-RU9003 is a Radio Frequency Identification (RFID) reader of ISO 18000-6C (EPC GEN2) standard. Designed for parking lot management, the reader can read RFID tag within 10 m (32.8 ft).
GV-SR1251	GV-SR1251 is a card reader that uses a 125 kHz frequency. It has both Wiegand and RS-485 outputs that can be connected to any standard access control panel.
GV-WTR	GV-WTR is a converter designed for converting Wiegand interface to RS-485 interface, and vice versa. It enables 3rd party readers to be connected to RS-485 GV-Controllers, as well as allowing GV-AI FR (software) and GV-RS1320 (RS-485 camera reader) to be connected to 3rd-party Wiegand controllers.
Electric Lock	Three types of electric locks are available: electromagnetic lock, electric bolt and electric strike.
Power Adapter	Contact our sales representatives for the countries and areas supported.
Push Button Switch	The push button switch can be integrated with any standard access control systems, allowing door exit by activating or deactivating the electric locking device. Both American standard and European standard push buttons are available.