

## GV-CR1320 2MP H.264 IP Camera Reader



### Introduction

GV-CR1320 is a 13.56 MHz card reader with a built-in 2 MP camera. GV-CR1320 recognizes access cards and grants access as regulated by the connected controller. Its camera captures the live view of entrance and transmits it to the access control system GV-ASManager through network connection, without the need of installing and maintaining a separate camera in addition to the card reader.

#### VoIP Calls:

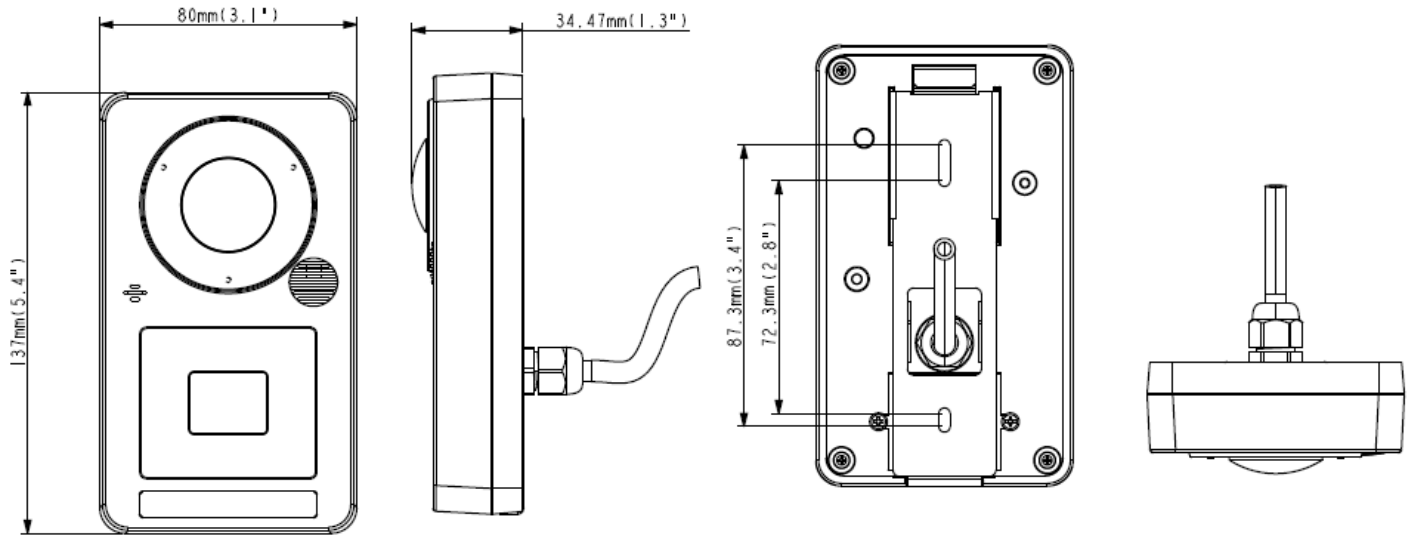
When its touchpad is activated, GV-CR1320 will place a call to the operator through VoIP. The operator can then communicate with the visitor and enter an access code to open the door.

#### Card Swiping plus Face Detection:

The Card and Face mode enables GV-CR1320 to perform face detection together with card verification before access can be granted.



## Dimensions



## Key Features

### Camera

- 2 MP progressive scan super low lux CMOS
- Minimum illumination at 0.02 lux
- Dual streams from H.264 and MJPEG
- Up to 15 fps at 1920 x 1080
- Day and night function (with removable IR-cut filter)
- Built-in IR with effective distance up to 3 m (9.84 ft)
- Ingress protection (IP66)
- 12V DC, 2.5A / PoE+ (IEEE 802.3at)
- Built-in microphone and speaker
- Wide Dynamic Range (WDR)
- Built-in micro SD card slot
- Provides 180° panorama view

### Reader

- 13.56 MHz reader (Mifare DESFire, MIFARE Plus and MIFARE Classic)
- Support for GeoVision access cards with GID (GeoVision Identifier) to enhance security
- Access by card swiping plus face detection
- Network interface for connecting to and access control by controllers
- Support for GV-WTR for connecting to and access control by 3<sup>rd</sup>-party Wiegand controllers

### Access Control

- 2 inputs, dry contact
- 1 relay output (30V DC, 0.5A)
- Touchpad to activate two-way communication between the operator and visitors
- Snapshots captured upon card presented and touchpad activated
- SIP/VoIP calling support
- Different access control modes enabled according to the Authentication Schedule: Card only mode (default), Card and Face Mode
- GV-Access app for push notifications

## Specifications

| Camera                    |          |   |
|---------------------------|----------|---|
| Image Sensor              |          | 1/2.8" progressive scan super low lux CMOS  |
| Picture Elements          |          | 1920 (H) x 1080 (V)   |
| Minimum Illumination      | B/W      | 0.02 Lux  |
| Shutter Speed             |          | Automatic, Manual (1/5 ~ 1/8000 sec)  |
| White Balance             |          | Automatic, Manual (2800K ~ 8500K)   |
| S/N Ratio                 |          | 52 db   |
| Lens                      |          |   |
| Megapixel                 |          | Yes   |
| Day / Night function      |          | Yes (with removable IR-cut filter)  |
| Lens Type                 |          | Fixed   |
| Focal Length              |          | 1.7 mm  |
| Maximum Aperture          |          | F/2.5   |
| Mount                     |          | M12   |
| Image Format              |          | 1/2.8"  |
| Horizontal FOV            |          | 180°  |
| IR LED Quantity           |          | 2   |
| Max. IR Distance          |          | 3 m (9.84 ft.)  |
| Operation                 |          |   |
| Video Compression         |          | H.264, MJPEG  |
| Video Streaming           |          | Dual streams from H.264 and MJPEG   |
| Video Resolution          | Stream 1 | 1920 x 1080 (16:9)  |
|                           | Stream 2 | 640 x 360 (16:9)  |
| Frame Rate                |          | 15 fps at 1920 x 1080<br>* The frame rate and the performance may vary depending on the number of connections and data bitrates (different scenes). |
| Image Setting             |          | Brightness, Contrast, Saturation, Sharpness, Gamma, White Balance, Image Orientation, Shutter Speed   |
| Audio Compression         |          | G.711   |
| Network                   |          |   |
| Interface                 |          | 10/100 Ethernet   |
| Protocol                  |          | DHCP, DynDNS, FTP, HTTP, HTTPS, NTP, PSIA, QoS (DSCP), RTSP, SIP, SMTP, SNMP, TCP, UDP, UPnP, 3GPP/ISMA   |
| Mechanical                |          |   |
| Local Storage             |          | Micro SD card   |
| Connectors                | Power    | 2-pin terminal block  |
|                           | Ethernet | Ethernet (10/100 Base-T), RJ-45 Connector   |
|                           | Audio    | Built-in microphone and speaker   |
|                           | RS-485   | RS-485 +, RS-485 -  |
| General                   |          |   |
| Operating Temperature     |          | -10 ~ 50 °C (14 ~ 122 °F)   |
| Humidity                  |          | 10% to 90% (no condensation)  |
| Power Source              |          | 12V DC, 2.5A / PoE+ (IEEE 802.3at)  |
| Maximum Power Consumption |          | 25.5 W  |
| Regulatory                |          | CE, FCC, RCM, RoHS compliant  |
| Dimensions                |          | 137 x 80 x 34.5 mm (5.4 x 3.15 x 1.36 in)   |
| Weight                    |          | 315 g (0.69 lb)   |
| Ingress Protection        |          | IP66  |
| Web Interface             |          |   |
| Installation Management   |          | Web-based configuration   |
| Maintenance               |          | Firmware upgrade through Web Browser or GV-IP Device Utility  |

|                                 |   |
|---------------------------------|---|
| Access from Web Browser         | Camera live view, change video quality, bandwidth control, image snapshot, audio, picture in picture, picture and picture |
| Language                        | English / French / Portuguese / Russian / Spanish / Traditional Chinese   |
| <b>Applications</b>             |   |
| Mobile Phone support            | embedded 3GPP/ISMA browser  |
| Live Viewing                    | Web browser (IE, Edge, Chrome, Firefox)   |
| Access Control / LPR Management | GV-ASManager  |
| <b>Reader</b>                   |   |
| CPU                             | 32-bit RISC microprocessor  |
| Frequency                       | 13.56 MHz for ISO14443A (Mifare DESFire, Mifare Plus and Mifare Classic)  |
| RS-485 Interface                | 1 RS-485 interface for GV-WTR   |
| TCP/IP Interface                | 1 TCP/IP interface for GV-AS controller   |
| Communication Protocol          | TCP/IP  |
| Digital I/O                     | 2 inputs, dry contact NO/NC<br>1 relay output (30V DC, 0.5A)  |
| ID Formats                      | GID and UID   |

**Note:**

1. To support face detection function, avoid placing the camera reader where the light source is directly behind the subject.
2. All specifications are subject to change without notice.

## Compatible GV-ASManager and GV-AS Controller

- **GV-ASManager:** V5.1.0 or later
- **GV-AS210 / 2110 / 2111:** V2.20 or later
- **GV-AS410 / 4110 / 4111:** V2.20 or later
- **GV-AS810 / 8110 / 8111:** V2.20 or later
- **GV-AS1520:** V2.02 or later
- **GV-AS1620:** V1.00 or later
- **GV-CS1320:** V3.00 or later

## Packing List

- GV-CR1320
- Mounting Plate
- Standard Screw x 2
- Plastic Screw Anchor x 2
- Security Screw
- Torx Wrench
- Silica Gel Bag
- Micro SD Card 2 GB (inserted and formatted)
- Download Guide
- Warranty Card

## Options

Optional devices can expand the capabilities and versatilities of your GV-AS Controllers. Consult our sales representative for more information.

|                                       |   |
|---------------------------------------|---|
| GV-AS ID Card, Key Fob, Sticker       | 13.56 MHz cards, key fobs and stickers are available.   |
| GV-CS1320                             | GV-CS1320 is an access controller with a built-in 2 MP camera and 13.56 MHz reader. It can manage up to 40,000 access cards and be connected to up to 2 extended readers.   |
| GV-AS1520                             | GV-AS1520, designed for parking lot management, is a controller with a built-in Radio Frequency Identification (RFID) reader and able to store up to 100,000 cards.   |
| GV-AS2120 / 4110 / 4111 / 8110 / 8111 | GV-AS series are controllers used to manage up to 4/8 doors via connected readers and have the capability of storing and granting / restricting access for up to 100,000 cards.   |
| GV-IB25 / 65 / 85 Infrared Button     | GV-IB25 / 65 / 85 Infrared Button detects infrared movement within 3 to 12 cm and allows you to open the door with a wave of hand.  |
| GV-WTR                                | GV-WTR is a converter designed for converting Wiegand interface to RS-485 interface, and vice versa. It enables 3rd party readers to be connected to RS-485 GV-Controllers, as well as allowing GV-AI FR (software) and GV-CR1320 (RS-485 camera reader) to be connected to 3 <sup>rd</sup> -party Wiegand controllers. |
| Electric Lock                         | Three types of electric locks are available: electromagnetic lock, electric bolt and electric strike.   |
| Power Adapter                         | Contact our sales representatives for the countries and areas supported.  |
| Push Button Switch                    | The push button switch can be integrated with any standard access control systems, allowing door exit by activating or deactivating the electric locking device. Both American standard and European standard push buttons are available.   |