

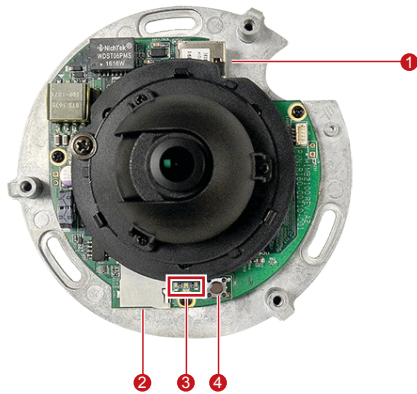
# E914

## 5MP Video Analytics Indoor Mini Fisheye Dome with Extreme WDR, SLLS, Fixed Lens



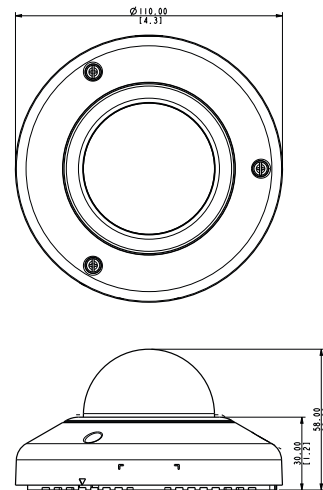
- 5 Megapixel
- f1.27 mm / F2.1
- Superior Low Light Sensitivity
- Extreme WDR (120 dB)
- 30 fps at 2592 x 1944
- Built-in Analytics

### PHOTO INDICATION



- 1 Ethernet Port
- 2 Memory Card Slot
- 3 LED Indicators
- 4 Reset Button

### DIMENSION DIAGRAM



Unit: mm [inch]

### ACCESSORY OPTIONS

#### Power Supply

PPOE-0001



IEEE 802.3af PoE Injector for Class 1, 2 or 3 devices, with universal adapter

#### Popular Mounting Solutions

Surface	Accessories not required
Wall	PMAX-0316 
Pendant	PMAX-0111 +  PMAX-1400
Pole	PMAX-0316 +  PMAX-0506
Gang Box	PMAX-0805 
NPT Standard Mounts	PMAX-0809 +  PMAX-1400

\* For more mounting solutions, please refer to the Mounting Accessory Selector on [www.acti.com/mountingselector/](http://www.acti.com/mountingselector/)

## PRODUCT SPECIFICATION

### • Device

Device Type	Indoor Mini Fisheye Dome Camera
Image Sensor	Progressive Scan CMOS
Sensor Size	1/2.9"
Effective Pixels	3096 (H) x 2202 (V) (6.82 MP)
Day / Night	Electronic Day / Night
Low Light Sensitivity	Superior
Minimum Illumination	Color: 0.1 lux at F2.1 (30 IRE, 2400 K)
Color to B/W Switch	ISP based switch, configurable
Mechanical IR Cut Filter	No
IR LED	No
Electronic Shutter	1/5" ~ 1/64000" (manual mode), 1/5" ~ 1/64000" (auto mode)
S/N Ratio	56 dB

### • Lens

Focal Length / Aperture	Fixed Focal, f1.27 mm / F2.1
Iris	Fixed Iris
Focus	Fixed Focus
Mount Type	Board Mount
Horizontal Viewing Angle	184°
Vertical Viewing Angle	184°
Viewing Angle Adjustment	Pan: -90° ~ 90°, Tilt: 0° ~ 90°

### • Video

Compression	H.265, H.264 (Baseline / Main / High profile), MJPEG
Max. Frame Rate vs. Resolution	30 fps at 2592 x 1944, 30 fps at 2048 x 1536, 30 fps at 1440 x 1080, 30 fps at 1280 x 960, 30 fps at 800 x 600 30 fps at 640 x 480, 30 fps at 320 x 240
View Mode	Fisheye View
Multi-Streaming	Simultaneous triple streams based on video configurations
Bit Rate	128 Kbps ~ 12 Mbps (per stream)
Bit Rate Mode	Constant, Variable
Image Enhancement	Extreme WDR (120 dB), White Balance, Brightness, Saturation, Contrast, Sharpness, Auto Gain Control, 2D+3D Digital Noise Reduction, Flickerless, Defogging, Digital Image Stabilizer
Privacy Mask	8 Configurable Regions
Text Overlay	Yes
Built-in Analytics	Object Based Motion Detection, Tampering Detection, Shock Detection
Image Orientation	Image Flip, Mirror

### • Network

Protocol & Service	IPv4/v6, TCP, UDP, DHCP, PPPoE, HTTP, HTTPS, DNS, DDNS, NTP, RTP, RTSP, RTCP, SMTP, FTP, IGMP, ICMP, ARP, Bonjour, UPnP, QoS, SNMP, IEEE 802.1x
Ethernet Port	1, Ethernet (10/100 Base-T), RJ-45 connector
Security	IP Address Filtering, HTTPS Encryption, Password Protected User Level, Anonymous Login, IEEE 802.1x Network Access Control

### • Alarm

Alarm Trigger	Video Motion Detection (10 regions)
Alarm Response	Notify control center, Change camera settings, Command other devices, E-mail notification with snapshots, Push notification to mobile device, Save video to local storage, Upload video to NVR server, Upload video or snapshot to FTP server, Activate external device through digital output

### • Interface

Local Storage	MicroSDHC, MicroSDXC memory card slot (card not included)
---------------	-----------------------------------------------------------

### • General

Power Source / Consumption	PoE Class 2 (IEEE802.3af) / 3.42 W
Weight	401 g (0.884 lb)
Dimensions (Ø x H)	110 x 58 mm (4.33" x 2.28")
Environmental Casing	Vandal Resistant (IK08)
Mount Type	Surface, Wall Mount, Pendant, Pole Mount, Gang Box
Starting Temperature	-10°C ~ 50°C (14°F ~ 122°F)
Operating Temperature	-10°C ~ 50°C (14°F ~ 122°F)
Operating Humidity	10% ~ 85% RH
Approvals	CE (EN 55032 Class B, EN 55024), FCC (Part 15 Subpart B Class B), IK08, UL (for optional PoE Injector)

### • Integration

Unified Solution	Fully compatible with ACTi software
ISV Integration	Software Development Kit (SDK) available; ONVIF compliant (Profile S, Profile G)
Firmware Access Browser	Microsoft Internet Explorer 11
Auto Firmware Upgrade	Yes
GPS Position	Manual Setting