

ECD-1000



- Maximum Number of Video Devices: 16
- Free License: 16
- Event trigger, response and notification
- Web Client

► Specifications

Device

Product Type	Media Display Server
Maximum Resolution	Local: up to 2MP; Remote: up to 12MP
Product Application	Digital Signage, Video Decoding, Public Viewer
Maximum Number of Cameras	16
Maximum Number of Video Devices	16
Maximum Number of Clients	Local: 1, Remote: 2
Supported Screen Resolution	HDMI: 1080p Composite Video: NTSC/PAL

License

License required	No
Free License	16

Live View

Display Layout Mode	1, 2, 4, 9, 12, 16, 1+5, 1+7, 1+12, 2+4, 2+8
Digital Zoom	Yes
Event Status	Network loss, Motion, DI

PTZ

PTZ Control	PTZ Control, Speed Control, 32 preset points, 32 preset tours
-------------	---

Pan, Tilt or Zoom protocol	ACTi URL command
----------------------------	------------------

Video

Video Source	Live video streams from IP Camera, Software NVR (NVR 3), Standalone NVR (GNR, INR series)
Compression	H.264
Maximum Frame Rate vs. Resolution	30 fps at 1920 x 1080 30 fps at 720 x 480 25 fps at 720 x 576 30 fps at 640 x 480

Audio

Audio Type	1-way
------------	-------

Network

Network Protocol & Service	TCP, UDP, IP, HTTP, HTTPS, DHCP, PPPoE, RTP, RTSP
Ethernet Port	1 x RJ-45 connector
Security	Password protected user level

Event

Event Trigger	Video loss, Network loss
Event Response	Play alert sound

System

Permission control	Multi-group/users, Liveview/setup/remote level permission
Client PC Operating System	Windows 8.1, Windows 7 SP1
Server Operating System	Embedded Linux
USB	1-Port USB 2.0
Language	Multi-Language
System Status Monitor	Real time status reports on remote browser

Integration

Unified Solution	Fully compatible with ACTi cameras and encoders
ONVIF Compliant	Yes, Profile S
Web Browser	IE 11 (Please verify that your computer meets the minimum system requirements for Internet Explorer from Microsoft website.)

Interface

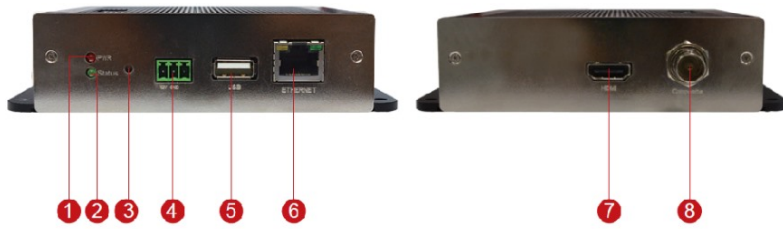
HDMI Output	1, HDMI Type A
Analog Video Output	1 x CVBS, BNC connector
External Storage Interface	USB(Support Digital Signage function from external USB drive)
Local Access	HDMI monitor, USB keyboard & mouse

General

Power Source	DC 12V, PoE Class 3 (IEEE802.3af)
Power Consumption	8.5 W (PoE), 7 W (DC)
Weight	566g (1.25lb)
Dimensions	(W x H x D): 135mm x 114mm x 33mm (5.3" x 4.5" x 1.3")

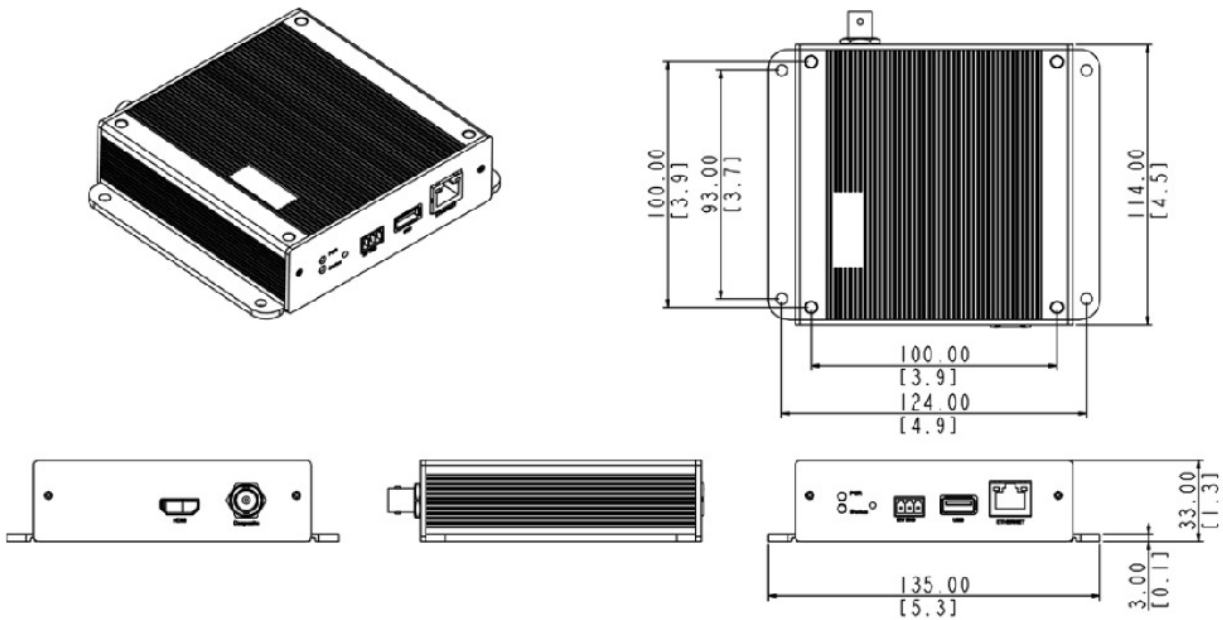
Bundled Accessories	Power Adapter, Pole Mount
Mount Type	Surface, Pole, VESA mount 10x10
Starting Temperature	0°C ~ 50°C (32°F ~ 122°F)
Operating Temperature	0°C ~ 50°C (32°F ~ 122°F)
Operating Humidity	10% - 85% RH
Remote Access	Web Client
Approvals	CE, FCC, UL (for bundled power adapter)
Warranty	3 Year(s). For extended warranty offering, see http://www.acti.com/support/warranty

► Photo Indication



- 1 Power LED
- 2 System Ready LED
- 3 Reset Button
- 4 DC 12V Power Input
- 5 USB Port
- 6 Ethernet Port
- 7 HDMI Port
- 8 Analog Video Output (Composite)

► Dimension Diagram



Unit: mm [inch]

Unit: mm [inch]