

## ECT-B12F



- 1080p bullet camera
- Smart IR: up to 20 m IR distance
- Water and dust resistant (IP66)
- 4 in 1 (4 signals switchable TVI/AHD/CVI/CVBS).



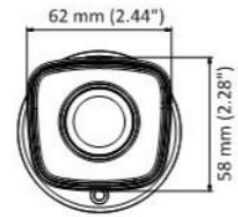
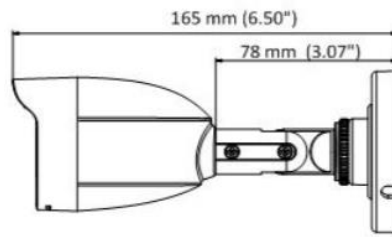
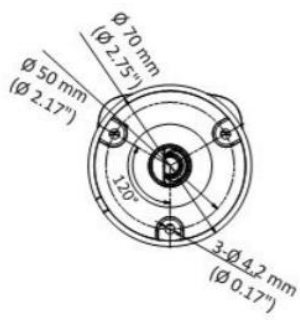
## ▪ Specification

Camera	
Image Sensor	2 MP CMOS
Max. Resolution	1920 (H) × 1080 (V)
Min. Illumination	0.01 Lux@(F1.2, AGC ON), 0 Lux with IR
Shutter Time	PAL: 1/25 s to 1/50,000 s;NTSC: 1/30 s to 1/50,000 s
Day & Night	IR Cut Filter
Angle Adjustment	Pan: 0 to 360°, Tilt: 0 to 180°, Rotation: 0 to 360°
Signal System	PAL/NTSC
Lens	
Lens Type	2.8 mm, 3.6 mm and 6 mm
Focal Length & FOV	103° (2.8 mm), 80.7° (3.6 mm), 50.1° (6 mm)
Lens Mount	M12
Illuminator	
Supplement Light Type	IR
Supplement Light Range	Up to 20 m
Image	
Image Settings	Brightness,Mirror,Smart IR,Sharpness,AGC
Frame Rate	PAL: 1080p@25 fps NTSC: 1080p@30 fps
Day/Night Mode	Auto/Color/BW (Black and White)
Wide Dynamic Range (WDR)	Digital WDR
Image Enhancement	BLC
Noise Reduction	2D DNR
Interface	
Video Output	Switchable TVI/AHD/CVI/CVBS,1 HD analog output
General	
Power	12 VDC ± 15%, max. 4 W
Material	Metal
Dimension	165 mm × 62 mm × 58 mm (6.50" × 2.44" × 2.28")
Weight	290 g (0.64 lb.)
Operating Condition	-40 °C to 60 °C (-40 °F to 140 °F), humidity 90% or less (non-condensing)
Language	English
Approval	
Protection	IP66

## ▪ Available Model

ECT-B12F2(2.8mm)(美国子公司),ECT-B12F3(3.6mm)(美国子公司),

## ▪ Dimension

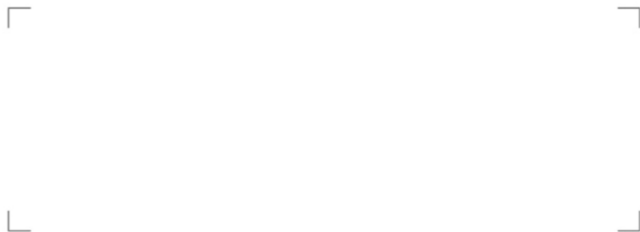


- **Accessory**
- **Optional**

**CBXS**



Distributed by

**HIKVISION®****Headquarters**

No.555 Qianmo Road, Binjiang District,  
Hangzhou 310051, China  
T +86-571-8807-5998  
overseasbusiness@hikvision.com

**Hikvision USA**  
T +1-909-895-0400  
sales.usa@hikvision.com

**Hikvision Australia**  
T +61-2-8599-4233  
salesau@hikvision.com

**Hikvision India**  
T +91-22-28469900  
sales@pramahikvision.com

**Hikvision Canada**  
T +1-866-200-6690  
sales.canada@hikvision.com

**Hikvision Thailand**  
T +662-275-9949  
sales.thailand@hikvision.com

**Hikvision Europe**  
T +31-23-5542770  
sales.eu@hikvision.com

**Hikvision Italy**  
T +39-0438-6902  
info.it@hikvision.com

**Hikvision Brazil**  
T +55 11 3318-0050  
Latam.support@hikvision.com

**Hikvision Turkey**  
T +90 (216)521 7070- 7074  
sales.tr@hikvision.com

**Hikvision Malaysia**  
T +601-7652-2413  
sales.my@hikvision.com

**Hikvision UK & Ireland**  
T +01628-902140  
sales.uk@hikvision.com

**Hikvision South Africa**  
Tel: +27 (10) 0351172  
sale.africa@hikvision.com

**Hikvision France**  
T +33(0)1-85-330-450  
info.fr@hikvision.com

**Hikvision Kazakhstan**  
T +7-727-9730667  
nikia.panfilov@hikvision.ru

**Hikvision Vietnam**  
T +84-974270888  
sales.vt@hikvision.com

**Hikvision UAE**  
T +971-4-4432090  
salesme@hikvision.com

**Hikvision Singapore**  
T +65-6684-4718  
sg@hikvision.com

**Hikvision Spain**  
T +34-91-737-16-55  
info.es@hikvision.com

**Hikvision Tashkent**  
T +99-87-1238-9438  
uzb@hikvision.ru

**Hikvision Hong Kong**  
T +852-2151-1761  
info.hk@hikvision.com

**Hikvision Russia**  
T +7-495-669-67-99  
saleru@hikvision.com

**Hikvision Korea**  
T +82-(0)31-731-8817  
sales.korea@hikvision.com

**Hikvision Poland**  
T +48-22-460-01-50  
info.pl@hikvision.com

**Hikvision Indonesia**  
T +62-21-2933759  
Sales.Indonesia@hikvision.com

**Hikvision Colombia**  
sales.colombia@hikvision.com