

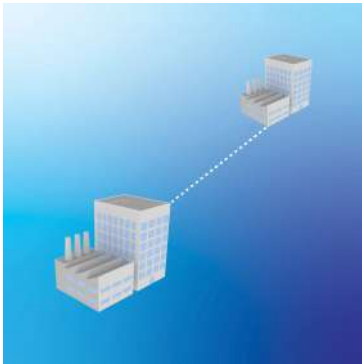


2-Pack 10GBASE-SR SFP+ Multi Mode LC Module (300m with DDM)

TEG-10GBSR/2 (v3.xR)

- Includes two TEG-10GBSR modules
- Hot-pluggable SFP+ transceiver
- SFP+ MSA compliant
- Supported throughput up to 10.5Gbps
- Multi Mode fiber for distances up to 300m (984 ft.)
- 850nm wavelength
- Duplex LC connector
- Digital Diagnostics Monitoring (DDM) support
- Operating temperature: 0° – 70° C (32° – 158° F)
- Single 3.3 V power source
- Lifetime Warranty
- NDAA / TAA compliant (U.S. and Canada only)

TRENDnet's hot-pluggable 2-Pack 10GBASE-SR SFP+ Multi Mode LC Module, model TEG-10GBSR/2, works with an MSA compliant SFP+ port. This Multi Mode transceiver spans distances up to 300m (984 ft.), comes with a LC duplex connector, and supports up to 10.5 Gbps networking throughput speeds. Digital Diagnostics Monitoring (DDM) captures critical device parameters, such as transmit/receive power, temperature, and voltage



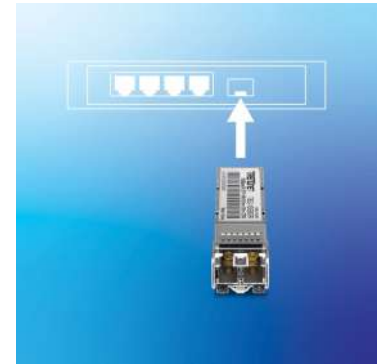
Fiber Applications

Short distance fiber networking for industrial, manufacturing, corporate, and government applications.



Fiber Mode/Distance

Multi Mode transceiver spans distances up to 300m (984 ft.) and supports up to 10.5 Gbps throughput speeds.



Compatibility

Hot-pluggable with an MSA compliant SFP+ port and works with fiber cables with LC-type duplex connectors.

FEATURES



Hot-Pluggable SFP+

Hot-pluggable SFP+ transceiver works with an MSA compliant SFP+ port



Fiber Wavelength

Compatible with Multi Mode 850nm transmissions



Fiber Distance

Supports networking for distances up to 300m (984 ft.)



Fiber Port

LC-type duplex connector



DDM Support

Digital Diagnostics Monitoring (DDM) captures critical device parameters such as transmit/receive power, temperature, and voltage



Operating Temperature

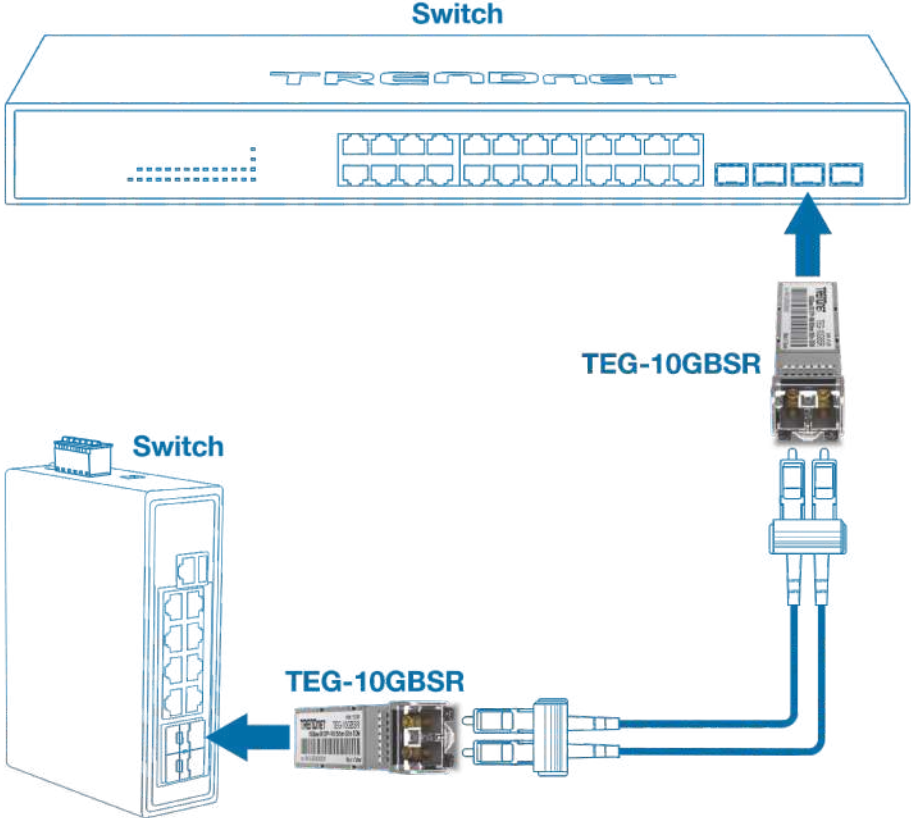
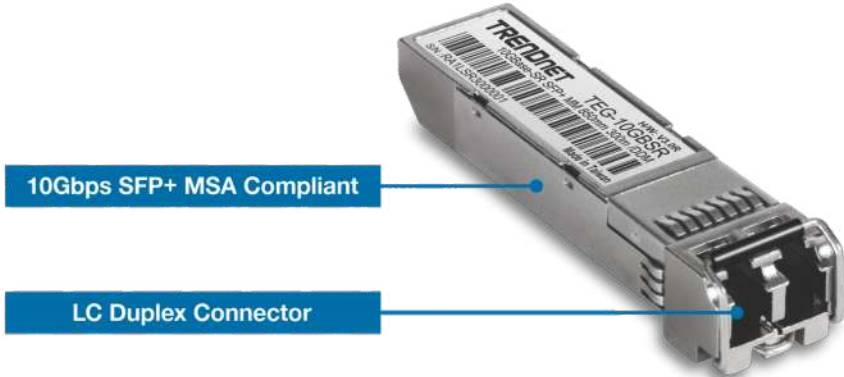
Rated for an operating temperature range of 0° – 70° C (32° – 158° F)



Standards

Compliant with SFF-8431, SFF-8432, SFF-8472, FC-PI-4, 10G FC, and IEEE802.3ae 10GBASESR

NETWORKING SOLUTION



SPECIFICATIONS

Standards

- IEEE 802.3ae
- 10GBASE-SR

Device Interface

- 10Gbps SFP+ MSA Compliant
- LC/UPC duplex connector

Data Transfer Rate

- 8.5-10.5Gbps

Wavelength

- 850nm

Optical Output Power

- -1 ~ -7.5dBm

Distance

- 400m (OM4)
- 300m (OM3)
- 82m (OM2)
- 33m (OM1)

Special Features

- Hot pluggable
- Metal enclosure
- DDM support

Sensitivity

- -14 dBm

Power

- Max. consumption: 439mW

Operating Temperature

- 0 – 70 °C (32 - 158 °F)

Operating Humidity

- Max. 95% non-condensing

Dimensions

- 14.8 x 56.5 x 11.85mm (0.6 x 2.2 x 0.5 in) per unit
- 22g (0.7 oz.) per unit

Certifications

- CE
- FCC

Warranty

- Lifetime Warranty

Package Contents

- 2 x TEG-10GBSR

All references to speed are for comparison purposes only. Product specifications, size, and shape are subject to change without notice, and actual product appearance may differ from that depicted herein.

TRENDnet offers a lifetime warranty for all of its metal-enclosed network switches that have been purchased in the United States/Canada on or after 1/1/2015. Cooling fan and internal power supply carry a one-year warranty.