

**FK1013+**  
with body temperature sensor

**ZKTeco**  
USA

## FaceKiosk model FK1013+

Touchless Personnel Management Kiosk  
+  
Body-Temperature Detection Module

### Overview

FaceKiosk 1013+ is a multi-purpose touchless kiosk with a 13-inch touchscreen designed to provide users touchless check-in and body-temperature assessment for visitor management applications. Note however, the kiosk is not FDA-approved.

This Android-based kiosk also incorporates face, fingerprint, QR code and ID badge recognition and can subsequently print a ticket/receipt when a user has successfully checked in one individual at a time. Additionally, model FK1013+ has an integrated thermal camera which can detect body temperature within 0.6 °F accuracy. The kiosk can be programmed to trigger an audio/visual alert and send notification whenever it detects users whose body temperature falls outside customer-defined parameters.

ZKTeco smart FaceKiosks can also serve as a platform for Android application developers. The kiosks embedded development kit (EDK) and algorithm (facial recognition, age and gender assessment) combined with a large 13-inch touchscreen provide developers all the components they need. The kiosks facilitate the rapid deployment of any third-party Android applications, thus allowing developers to go to market quickly and cost-effectively.

Ideal applications include visitor management, event management, access control, time & attendance, gym membership and any other applications requiring rapid & accurate user authentication.

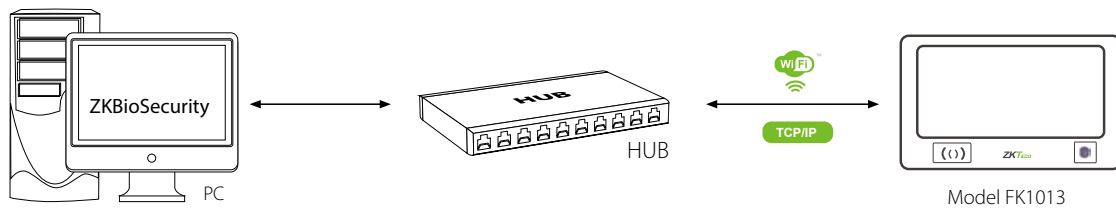
### Features

- Interactive 13.3" touchscreen display
- Supports up to 10,000 faces
- Optional fingerprint reader
- Thermal sensor
- Accurate within +/- 0.6°F
- Supports QR and bar-code scanning
- Includes ticket/receipt printer
- TCP/IP communication
- Dual infrared visible light lens
- Superior accuracy & face matching speed
- Powerful anti-spoofing engine
- Unique registration, one facial template per user
- Strong flexibility & adaptability in numerous applications
- Elegant appearance
- Android O.S. supports many applications

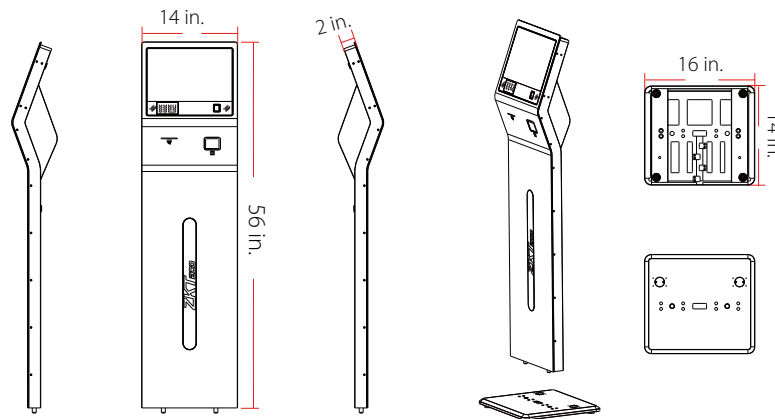
## Specifications

Attendance Record Capacity	100,000	Ticket Printer	Line Thermal Printer Printing speed: 100mm/s (max.) Paper width: 58±0.5mm
Facial Templates Capacity	10,000	RAM	2GB DDR3
User Capacity	10,000	ROM	16GB
Communication	TCP/IP, Wiegand, Wi-Fi	GHz	1.8GHz
Screen Dimensions	13.3-inch capacitive touch screen	CPU	Quad-core A17 1.8GHz (ZKTeco boosted)
Resolution	1920*1080 pixel	Power Supply	12V-3A
Communication Port	1*RJ45, TF card slot, 1*HDMI, RS232/485	Operation Environment	Operating Temperature: 32-140 °F Operating Humidity: < 90% Storage Temperature: -40 -140 °F Storage Humidity: 20% ~ 90%
Camera Pixel	2-megapixel	Operating System	Android 5.1.1
QR Code Module	Barcode, QR Code	Dimensions	(L*W*H) 14 in. * 2 in. * 56 in.

## Configuration



## Dimensions



### DISCLAIMER

The body temperature measurement by the kiosk should not be solely or primarily relied upon to diagnose or exclude a diagnosis of COVID-19, or any other disease. Elevated body temperature reported by the kiosk should be confirmed with secondary evaluation methods (e.g. a non-contact infrared thermometer (NCIT) or clinical grade contact thermometer). Public health officials should determine the significance of any fever or elevated temperature based on the skin telethermographic temperature measurement reported by the kiosk.

### ZKTeco USA

1600 Union Hill Rd. Alpharetta, GA 30005  
Phone: (862) 505-2101 • Fax: (862) 204-5906 • sales@zktecousa.com • www.zktecousa.com



© Copyright 2020. ZKTeco Inc. ZKTeco Logo and ZKAccess Logo are registered trademarks of ZKTeco or a related company. All other product and company names mentioned are used for identification purposes only and may be the trademarks of their respective owners. All specifications are subject to change without notice. All rights reserved.

Version 0.1

#### Manufacturers' Disclaimer:

The FK1013+ is not an FDA-cleared device.

FK1013+ incorporates a telethermographic system intended to provide an initial body temperature reading for triage use, only.

BoBody temperature readings recorded by FK1013+ should not be relied upon to diagnose or exclude a diagnosis of COVID-19, or any other disease.

Elevated body temperature readings by FK1013+ should be confirmed with secondary evaluation methods (e.g., clinical grade contact thermometer).

Public health officials should determine the significance of any elevated temperature based on the body telethermographic temperature measurement reported by FK1013+.