



## IPAnything Module

I/O Controller designed for IP surveillance systems. The GJD IPA is a simple yet powerful I/O controller which quickly converts any type of alarm sensor to an IP sensor.

The IPA has a 12V/24V DC socket to power the sensor and four digital alarm inputs. Each input can be used to create network alarms directly to VMS, IP cameras or other network devices.

### PRODUCT CODES

**GJD516** IPAnything Module

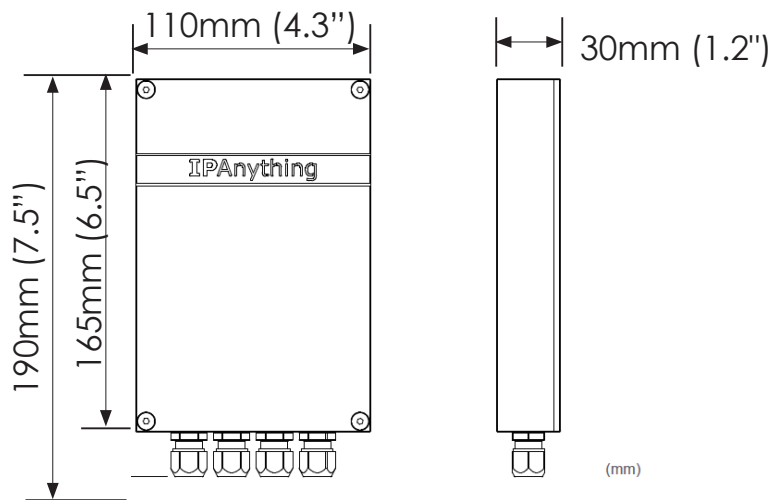
#### UNIQUE FEATURES

- Power over Ethernet
- Convert input signals to IP alarms
- Integrate alarms with VMS or control cameras directly
- 12V/24V DC output for powering external units
- Network controlled relay outputs

#### END USER BENEFITS

- Allows analogue systems to be updated to IP
- Intuitive and powerful web based user interface
- Modern design
- Heavy duty waterproof housing

### DIMENSIONS



### SECTORS



RESIDENTIAL



COMMERCIAL



INDUSTRIEL



BORDERS



MILITARY BASES



PORTS



POWER PLANTS



HERITAGE



AIRPORTS



PRISONS

# TECHNICAL SPECIFICATIONS

## SPECIFICATIONS

<b>DIGITAL INPUT</b>	4 x digital inputs, high / low / rising edge / falling edge / frequency counting
<b>ANALOG INPUT</b>	1 x 4-20 mA or 0-10V
<b>ALARM OUTPUT</b>	3 x relay. Max 30V, 200mA. N/C and N/O
<b>POWER OUTPUT</b>	1 x 12V DC, max 1A or 24V DC, max 0.5A
<b>NETWORK ALARMS</b>	User configurable HTTP web requests
<b>POWER SUPPLY</b>	Power over Ethernet (48V DC)
<b>POWER CONSUMPTION</b>	Max 12W, PoE class 3
<b>OPERATING TEMPERATURE</b>	- 30°C to + 60°C
<b>INTERFACE</b>	Ethernet IEEE 802.3af, TCP/IP. Web browser user interface
<b>MOUNTING</b>	4 x M6 (80 x 155mm), DIN-rail or mounting screws
<b>ENCLOSURE RATING</b>	IP66
<b>COLOUR</b>	Black
<b>WEIGHT</b>	0.6Kg

## ELECTRICAL SPECIFICATIONS

<b>DIGITAL INPUT</b>	12VDC, max 1A or 24VDC, max 0.5 A. Short circuit protection.
<b>ANALOG INPUT</b>	0-10V: Accuracy: +/- 25 mV, 12-bit resolution. 4-20 mA: Accuracy: +/- 0.05 mA, 12-bit resolution. Choose input type with DIP-switch.
<b>DIGITAL INPUT</b>	Max 24V. Low signal voltage: 0-1V. High signal voltage: 5-24V. Current typ. 4.4 mA @ 24V. Frequency counting: 0.2 Hz-2.5 kHz. Frequency accuracy <1%.
<b>DIGITAL OUTPUT</b>	Relay, max 30V, 200 mA. N/C and N/O.

