

# GV-PBL8800 AI 180° Panoramic 8MP H.265 Super Low Lux WDR Pro IR

## Fixed Bullet IP Camera



- AI deep learning: AI Perimeter Protection & Classification (Human, Vehicle)
- 1/2.8" progressive scan CMOS
- Min. illumination at 0.012 lux
- Triple streams from H.265, H.264 and MJPEG
- Up to 25 fps at 3840 x 2160
- Intelligent IR
- IR distance up to 15 m (50 ft)
- Day and Night function (with removable IR-cut filter)
- 180° panoramic view
- Vandal resistance (IK10 for metal casing)
- Ingress protection (IP67)
- 3-axis mechanism (pan / tilt / rotate)
- DC 12V / PoE (IEEE 802.3af)
- Built-in micro SD card slot (SD / SDHC / SDXC / UHS-I, Class 10) for local storage
- Built-in microphone
- Wide Dynamic Range Pro (WDR Pro)
- AI analytics (Line Crossing, Region Entrance, Region Exiting, Advanced Motion Detection, Loitering, People Counting)
- 3D noise reduction
- Motion detection
- Tampering Alarm
- Text overlay
- Privacy mask
- Pigtail-Free
- 20 languages supported
- ONVIF (Profile G, Q, S, T) conformant
- SIP/VoIP Support

### Introduction

The panoramic bullet IP camera is an outdoor, network camera that captures 180° horizontal coverage, providing a wide coverage of view for open and large areas with just one camera. It is equipped with an automatic IR-cut filter and IR LEDs for day and night surveillance. GV-PBL8800 adheres to IK10 and IP67 standards, and can be powered through PoE. The camera supports H.265 video codec to achieve better compression ratio while maintaining high quality pictures at reduced network bandwidths.

Empowered by deep learning algorithms, AI technology distinguishes human and vehicles from other moving objects. Integrated with GeoVision Video Management Software (VMS), it supports AI perimeter protection, real time alert, events playback and more.

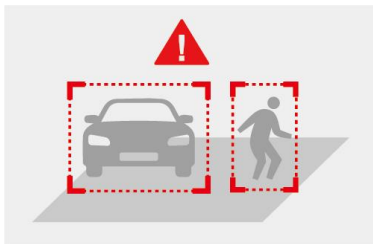
### 180 Degree Panoramic View



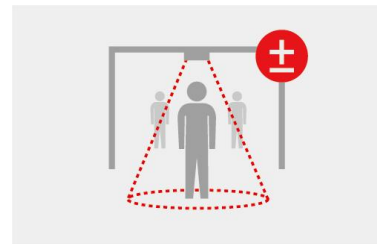
### Deep Learning Function

#### AI Perimeter Protection

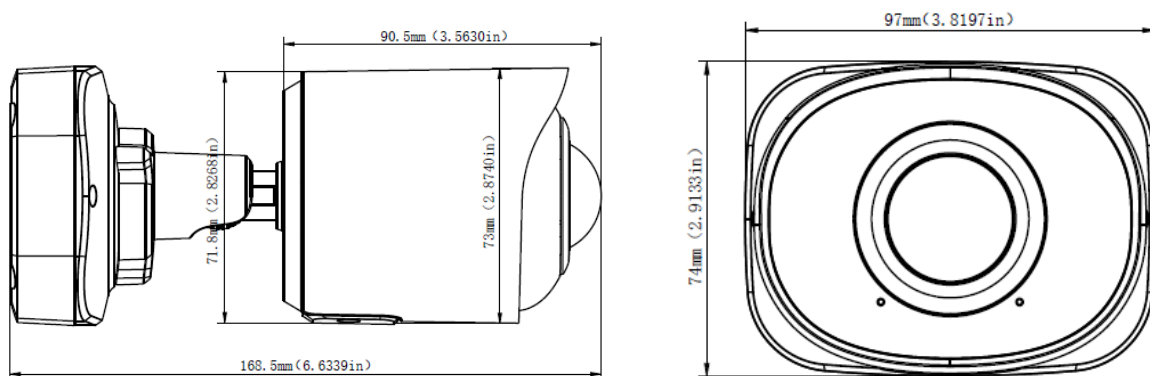
(Intrusion, Crossing Line, Entering Area, Leaving Area)



#### People Counting



### Dimensions



### Specifications

Camera		
Image Sensor	1/2.8" progressive scan CMOS	
Picture Elements	3840 (H) x 2160 (V)	
Minimum Illumination	Color	0.012 Lux (F2.0, AGC ON)
	IR On	0 Lux
Shutter Speed	Automatic, Manual (1 ~ 1/100000 sec)	
White Balance	Automatic, Manual	

Gain Control	Automatic, Manual	
S/N Ratio	55 dB	
WDR Pro	Yes	
Dynamic Range	120 dB	
<b>Lens</b>		
Megapixel	8 MP	
Day/Night	Yes (with removable IR-cut filter)	
Focal Length	1.68 mm	
Lens Type	Fixed	
Maximum Aperture	F/2.0	
Mount	M12	
Horizontal FOV	180°	
Operation	Focus	Fixed
	Zoom	Fixed
	Iris	Fixed
IR LED Quantity	2 IR LEDs	
Max. IR Distance	15 m (50 ft)	
<b>Operation</b>		
Video Compression	H.265, H.264, MJPEG	
Video Streaming	Triple streams	
Video Resolution	Main Stream	3840 x 2160 (Default), 3456 x 1936, 3200 x 1800, 2880 x 1624, 2560 x 1440, 1920 x 1080, 1280 x 720
	Sub Stream	1280 x 720, 704 x 576, 640 x 480, 640 x 360 (Default), 352 x 288, 320 x 240
	Third Stream (Closed by Default)	1280 x 720, 704 x 576, 640 x 480 (Default), 640 x 360, 352 x 288, 320 x 240
Frame Rate	<b>60 Hz:</b> 25 fps at 3840 x 2160, 30 fps at 3456 x 1936, 30 fps at 3200 x 1800, 30 fps at 2880 x 1624, 30 fps at 2560 x 1440, 30 fps at 1920 x 1080, 30 fps at 1280 x 720, 30 fps at 704 x 576, 30 fps at 640 x 480, 30 fps at 640 x 360, 30 fps at 352 x 288, 30 fps at 320 x 240	
	<b>50 Hz:</b> 25 fps at 3840 x 2160, 25 fps at 3456 x 1936, 25 fps at 3200 x 1800, 25 fps at 2880 x 1624, 25 fps at 2560 x 1440, 25 fps at 1920 x 1080, 25 fps at 1280 x 720, 25 fps at 704 x 576, 25 fps at 640 x 480, 25 fps at 640 x 360, 25 fps at 352 x 288, 25 fps at 320 x 240 *The frame rate and performance may vary depending on the number of connections and data bitrates (different scenes).	
Video Analytics	Motion Detection, Audio Alarm, Tamper Detection, Object Left, Object Removed *Tampering detection and audio alarm are only accessible through the camera's Web interface, which can be used to trigger alerts such as e-mail and FTP	
Heat Map	On / Off	
Image Setting	Brightness, Contrast, Saturation, Sharpness, Flicker-less, 3D Noise Reduction, Image Orientation (Flip, Mirror, 0°, 90°, 180°, 270°-including Corridor format).	
Audio Compression	G.711	
Audio Support	One-way Audio (built-in microphone)	
<b>Network</b>		
Interface	10/100 Ethernet	
Protocol	IPv4/IPv6, ARP, TCP, UDP, RTCP, RTP, RTSP, RTMP, HTTP, HTTPS, DNS, DDNS, DHCP, FTP, NTP, SMTP, SNMP, UPnP, Bonjour, SIP, PPPoE, VLAN, 802.1x, QoS, IGMP, ICMP, SSL, ONVIF Profile (G, Q, S, T)	
<b>Deep Learning Function</b>		
AI Analytics	-Human & vehicle classification applicable: Line Crossing, Region Entrance, Region Exiting, Advanced Motion Detection, Loitering -People Counting	
<b>Mechanical</b>		
Camera Angle Adjustment	Pan	0° ~ 360°
	Tilt	5° ~ 90°
	Rotate	0° ~ 360°




Connectors	Power	2-pin terminal block (DC 12 V, 1.25 A), PoE
	Ethernet	RJ-45
	Audio	1 In (built-in microphone)
	Local Storage	Micro SD card slot (SD / SDHC / SDXC / UHS-I, Class 10) * UHS-II card type is not supported.
<b>General</b>		
Operating Temperature	-40°C ~ 60°C (-40°F ~ 140°F)	
Humidity	0 ~ 90% (no condensation)	
Power Source	12 V DC / PoE (IEEE802.3af)	
Max. Power Consumption	9 W	
Dimensions	97 x 74 x 168.5 mm (3.82 x 2.91 x 6.63")	
Weight	0.63 kg (1.39 lb)	
Ingress Protection	IP67	
Vandal Resistance	IK10 for metal casing	
Regulatory	CE, FCC compliant	
<b>Web Interface</b>		
Installation Management	Web-based configuration	
Maintenance	Firmware upgrade through Web Browser or Utility	
Access from Web Browser	Live View, Video Recording, Change Video Quality, Bandwidth Control, Image Snapshot, Text Overlay, Image Masking	
Language	Arabic, Bulgarian, Czech, Dutch, English, Finnish, French, German, Italian, Japanese, Korean, Persian, Polish, Portuguese, Russian, Slovenian, Spanish, Thai, Traditional Chinese, Turkish	
<b>Software Applications</b>		
Software Supported	GV-VMS (V17.4.5 with patch file V17.4.5.6), GV-Recording Server (V2.1.0 or later)	
Live Viewing	Browser (IE, Edge, Chrome, Firefox, Safari)	

**Note:** All specifications are subject to change without notice.

### Packing List

- |                                |                   |
|--------------------------------|-------------------|
| 1. GV-PBL8800 Bullet IP Camera | 4. Hex Key H2.0   |
| 2. Screw Kit                   | 5. Download Guide |
| 3. Trox Wrench                 |                   |

### Accessories

Model No.	Name		Details
GV-Mount430	Pole Mount Bracket		Dimensions: 180 x 51.5 x 152.6 mm (7.09" x 2.03" x 6.01") Weight: 720 g (1.59 lb)
GV-Mount923	Adapter Plate		Dimensions: 94.1 x 71 x 5.5 mm (3.7" x 2.8" x 0.22") Weight: 55 g (0.12 lb)
GV-PA191	Power over Ethernet (PoE) Adapter		GV-PA191 is a Power over Ethernet (PoE) adapter designed to provide power to the IP device through a single Ethernet cable.
GV-POE Switch			GV-POE Switch is designed to provide power along with network connection for IP devices. It is available in various models with different numbers and types of ports.
Power Adapter			Contact our sales representatives for the countries and areas supported.