

RS232/RS422/RS485 Serial Device Server



Cost-effective Solution for RS232/422/485 Serial-to-Ethernet Application

PLANET ICS-11x Serial Device Server series is specially designed to convert RS232, RS422 or RS485 serial communication to Fast Ethernet networking to extend the network distance efficiently and inexpensively.



There are one 10/100BASE-TX RJ45 port and single-mode/multi-mode media available in the ICS-11x series and its operating temperature ranges from -10 to 60 degrees C for your network needs. The ICS-11x series is a time-saving and cost-effective solution for users and system integrators to quickly transform their serial devices into the Ethernet network with no need of replacing the existing serial devices and software system.

Convert Serial Communication to IP Networking



Extending Distance (Only ICS-115A)

The ICS-115A is able to extend the distance of deploying serial equipment and hosts. The selectable fiber-optic cables on the basis of distance are provided. Therefore, this product will perfectly satisfy the diverse demands while providing reliable and efficient network solutions based on the distance and budgets of installation.

Serial Interface

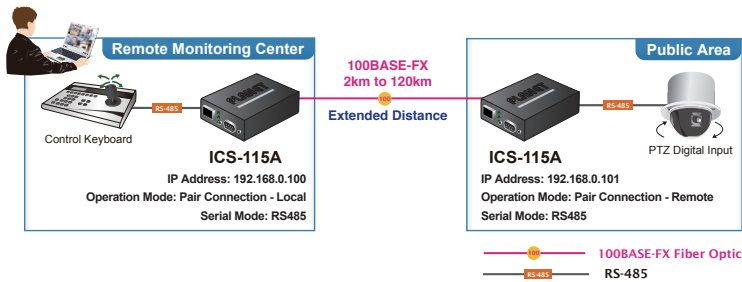
- One DB9 interface supports RS232, 2-wire RS485, 4-wire RS485 and RS422 operation
- Asynchronous serial data rates up to 921600bps
- Data mode includes VCOM, RFC2217, TCP Server, TCP Client, UDP, Remote Pair, Modbus converter server / client and Serial Telnet modes

Ethernet Interface

- 1-port 10/100BASE-TX RJ45 interface with auto MDI/MDI-X function
- 1-port 100BASE-FX SFP Slot

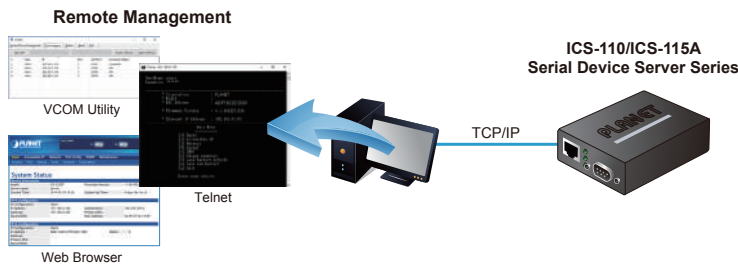
Management

- IPv4 and IPv6 dual stack management
- Remote Management Interfaces
 - IP-based Web management
 - Telnet console management
 - Windows-based VCOM utility supports searching, monitoring and configuration setting
- IP NTP (Network Time Protocol)
- Standard TCP/IP interface and versatile operation modes
- Software Protocol supports ICMP, TCP/IP, UDP, HTTP server, DHCP client, Telnet server/client
- Serial Operation mode selected via management interface
- Pair Connection mode for connecting two serial devices over a network
- Allows a maximum of 4 hosts to be accessed as TCP client mode
- Firmware upgrade via HTTP protocol
- Accessible IP security control to prevent illegal users
- Event notification
 - Remote syslog server
 - SNMP trap
- DHCP client for IP address assignment
- PLANET Smart Discovery utility automatically finds the



Remote Management

As the ICS-11x series provides an easy serial-to-Ethernet connectivity and connection to a TCP/IP network, the remote network system can thus be managed efficiently via its Web, telnet and VCOM management interfaces. It supports both application and serial operation modes for alarm or IP address connection, which saves the network administrator's time in detecting and locating network problems without visual inspection of the cabling and devices. Multiple connection options are available for large networking environment as well.



Easy Chassis Installation

The ICS-11x series can be used as a stand-alone unit or a slide-in module to PLANET Media Converter Chassis (MC-700 and MC-1500 chassis series). The media chassis can assist in providing DC power to the ICS-11x series and can be DIN-rail or wall mounted for efficient use of cabinet space, without the need of replacing the existing serial equipment and software system.

Optional installation method



Media Chassis Installation



DIN-rail Installation



Wall-mount Installation

client devices on the network

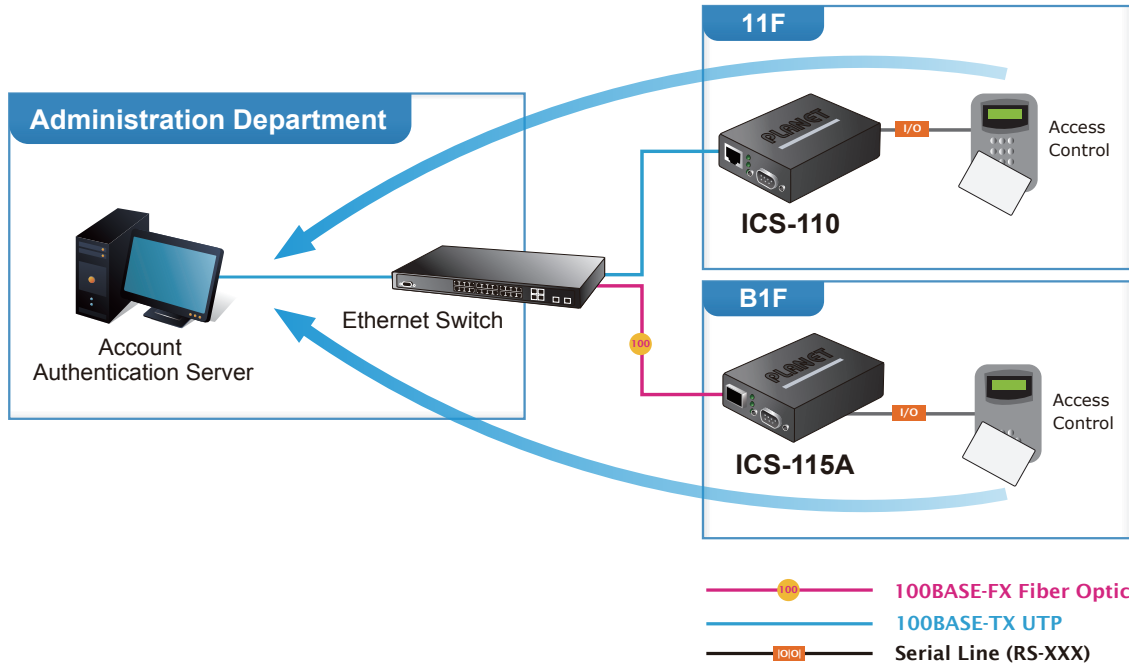
Case and Installation

- Compact size for easy Installation:
 - Standalone - Wall mountable or DIN-rail mounting (optional accessory)
 - Co-works with PLANET MC family Media Chassis (MC-700/1500)
- External power adaptor 5V DC / 2A max.
- Supports 6000 VDC Ethernet ESD protection
- -10 to 60 degrees C operating temperature
- Supports extensive LED indicators for network diagnosis
- Reset button for resetting to factory default

Applications

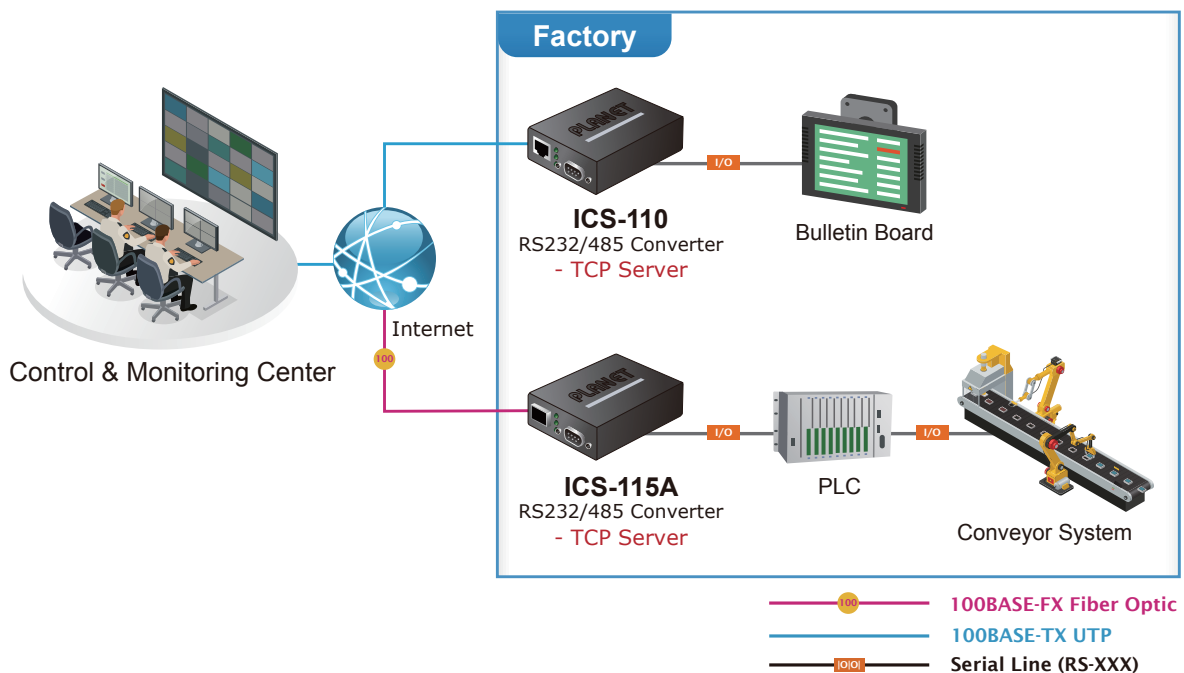
Access Control System – Traditional System Application

Most of the enterprises and government use access control plate and Mifare or RFID to authorize entrance identity. Traditionally, the access control machines use RS232 or RS485 serial interface with their cables connecting to login server. By applying the ICS-11x Serial Device Server series, the access control machine is able to extend the network over longer distances via Ethernet interfaces. In addition, the ICS-11x series can be linked to an xDSL router to get the internet access capability so that the access control can be set and monitored over the internet.



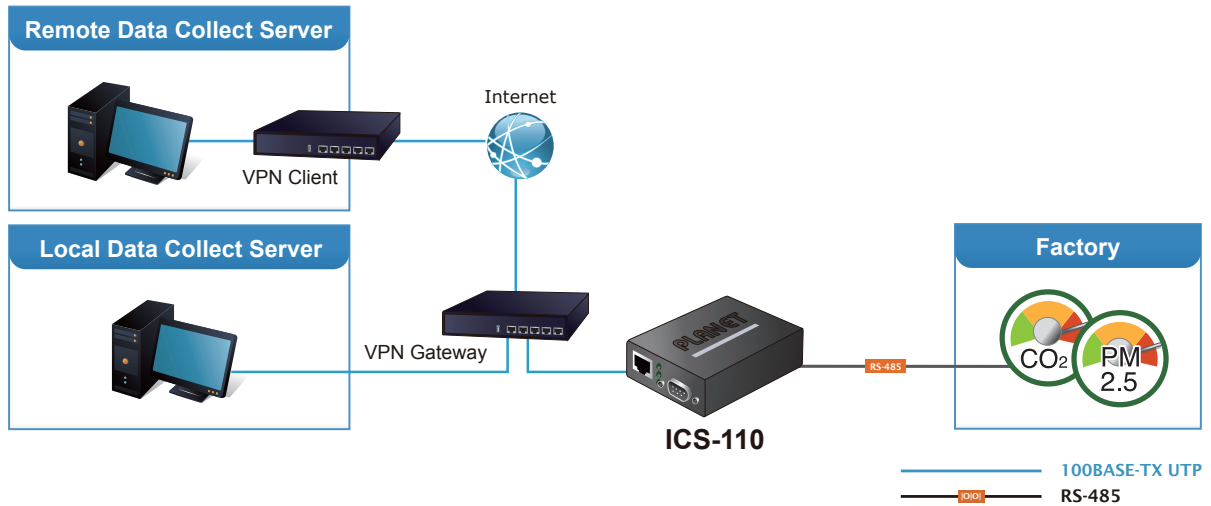
Process Control

To monitor, configure and manage the robotic conveyer including other production machines, PLC (programmable logical control) is required to drive the above manufacturing process. The ICS-11x series can be set to the TCP server mode and connected to the PLC. Thus, the administrator can configure and set command settings through Fast Ethernet intranet to remotely control the PLC, without having to stand by the I/O machine.



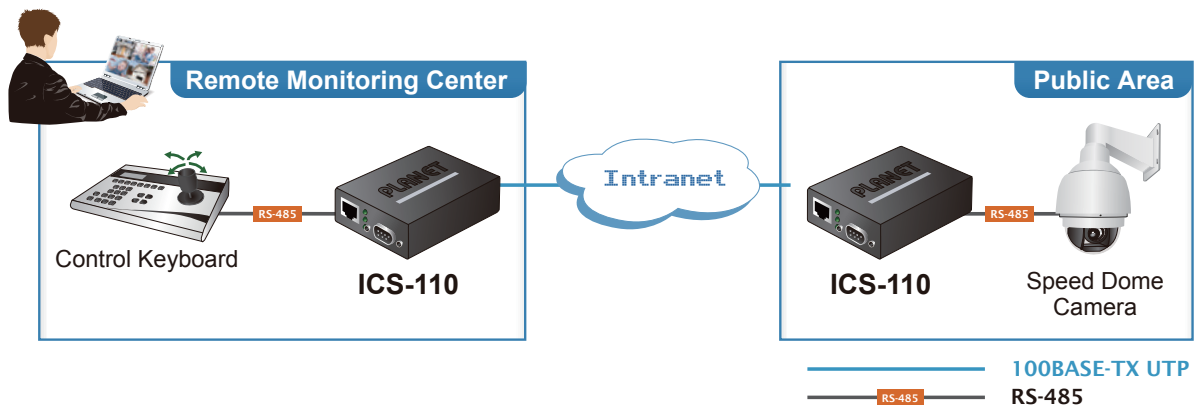
RTU Data Collect – UDP Mode

Connect with RTU (remote terminal unit) to collect and monitor the data of waves, signal and power utilization. The ICS-11x can be used to set up UDP mode and send data over Fast Ethernet to local server or over Internet to remote server automatically.



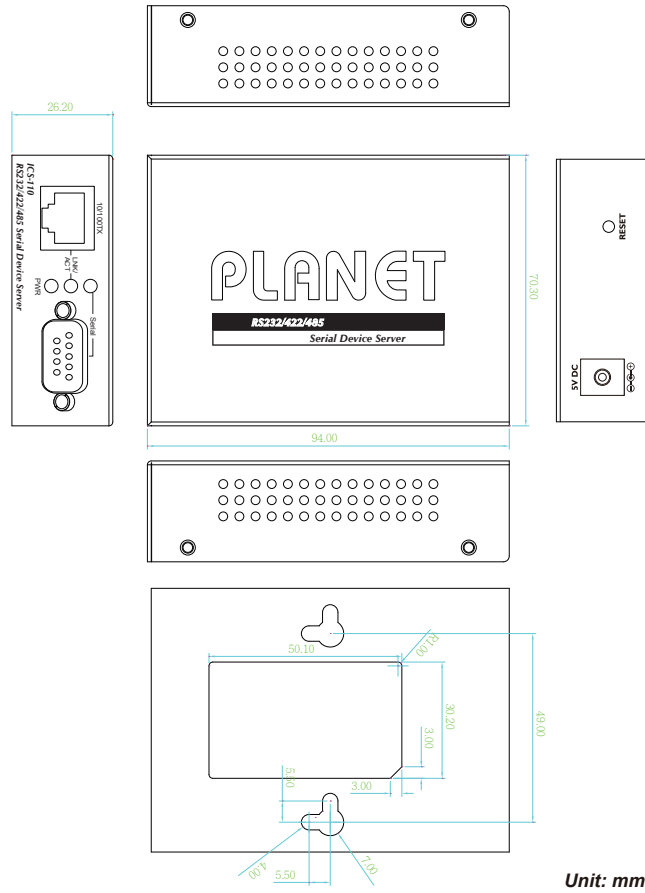
Surveillance Motion Control – Pair Connection Mode

Using pair connection mode via the fiber optic patch cord, the ICS-11x series can extend the distance of the deployed devices via RS232, RS422 and RS485 interfaces, making the remote management of these devices from the monitoring center easier and efficient.

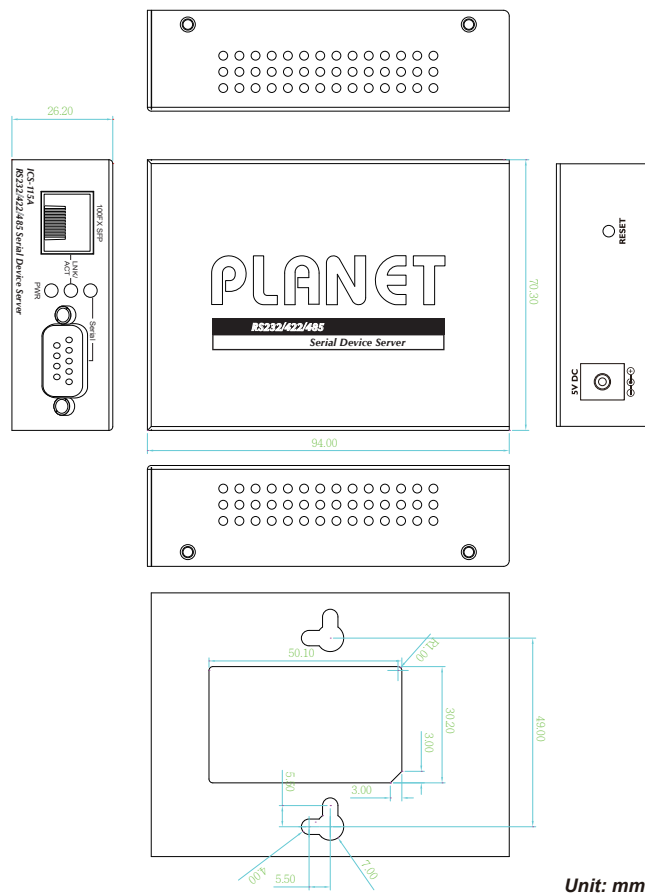


Drawing

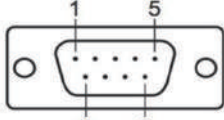
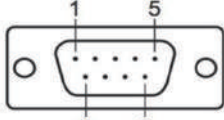
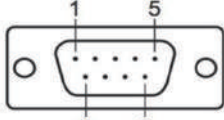
■ ICS-110



■ ICS-115A



Specifications

Product	ICS-110	ICS-115A																																										
Serial Interface																																												
Serial Port	1 x DB9 male																																											
Serial Standards	RS232/RS422/4-wire RS485/2-wire RS485																																											
Baud Rate (Data Rate)	50bps to 921Kbps																																											
Data Bits	5, 6, 7, 8																																											
Stop Bit	1, 1.5, 2																																											
Parity Type	Odd, Even, None, Space, Mark																																											
Flow Control	RTS/CTS and DTR/DSR (RS232 only) XON/XOFF																																											
Signals	RS232: TxD, RxD, RTS, CTS, DTR, DSR, DCD, GND RS422: Tx+, Tx-, Rx+, Rx-, GND 4-wire RS485: Tx+, Tx-, Rx+, Rx-, GND 2-wire RS485: Data A (+), Data B (-), GND																																											
Pin Assignment	<table border="1"> <thead> <tr> <th>Male DB9</th> <th>Pin</th> <th>RS232</th> <th>RS422 RS485-4W</th> <th>RS485-2W</th> </tr> </thead> <tbody> <tr> <td rowspan="9">  </td> <td>1</td> <td>DCD</td> <td>TxD+</td> <td>--</td> </tr> <tr> <td>2</td> <td>RxD</td> <td>TxD-</td> <td>--</td> </tr> <tr> <td>3</td> <td>TxD</td> <td>RxD-</td> <td>Data-</td> </tr> <tr> <td>4</td> <td>DTR</td> <td>RxD+</td> <td>Data+</td> </tr> <tr> <td>5</td> <td>GND</td> <td>GND</td> <td>GND</td> </tr> <tr> <td>6</td> <td>DSR</td> <td>--</td> <td>--</td> </tr> <tr> <td>7</td> <td>RTS</td> <td>--</td> <td>--</td> </tr> <tr> <td>8</td> <td>CTS</td> <td>--</td> <td>--</td> </tr> <tr> <td>9</td> <td>--</td> <td>--</td> <td>--</td> </tr> </tbody> </table>		Male DB9	Pin	RS232	RS422 RS485-4W	RS485-2W		1	DCD	TxD+	--	2	RxD	TxD-	--	3	TxD	RxD-	Data-	4	DTR	RxD+	Data+	5	GND	GND	GND	6	DSR	--	--	7	RTS	--	--	8	CTS	--	--	9	--	--	--
Male DB9	Pin	RS232	RS422 RS485-4W	RS485-2W																																								
	1	DCD	TxD+	--																																								
	2	RxD	TxD-	--																																								
	3	TxD	RxD-	Data-																																								
	4	DTR	RxD+	Data+																																								
	5	GND	GND	GND																																								
	6	DSR	--	--																																								
	7	RTS	--	--																																								
	8	CTS	--	--																																								
	9	--	--	--																																								
Ethernet Interface																																												
Ethernet Ports	1 x RJ45	1 x SFP																																										
Standard	10/100BASE-TX	100BASE-FX																																										
Distance	100m	2Km~120Km, vary on SFP modules																																										
ESD Protection	6KV																																											
Hardware																																												
Installation	DIN-rail kit and wall-mount ear																																											
Dimensions (W x D x H)	97 x 70 x 26mm	97 x 70 x 26mm																																										
Weight	184 g	185 g																																										
LED Indicators	System: Link TP/SFP: Link/Active Serial Port: Active																																											
Power Requirements	External Power Adaptor 5V DC / 2A max.																																											
Power Consumption	5.5 watts (max)																																											
Mechanical	Metal																																											
Reset Button	< 5 sec: System reboot > 5 sec: Factory default																																											
Management																																												
Management Interfaces	Web management Telnet Console management Windows-based VCOM Utility management SNMPv1, v2c / SNMP Trap UNI-NMS monitoring PLANET Smart Discovery Utility																																											
IP Version	IPv4 and IPv6																																											
Operation Mode	TCP Server / TCP Client UDP Client Virtual COM RFC2217 Telnet Server Pair Connection – Remote (Slave) Pair Connection – Local (Master) Modbus converter server / client																																											

Virtual COM Utility Platform Supports	Windows-based Only: Windows XP Windows Server 2003 Windows 7 Windows Server 2008 Windows 8 (Must install the latest version of WinPcap) Windows Server 2012 (Must install the latest version of WinPcap) Windows 10
Fault Alarm	Record: System log / SNMP trap
Time	NTP
Security	Accessible IP (white list)
SNMP	SNMP v1 and v2c
Standards Conformances	
Regulatory Compliance	FCC Part 15 Class A, CE Certification Class A
Standards	IEEE 802.3 10BASE-T, IEEE 802.3u 100BASE-TX/100BASE-FX RFC 768 UDP RFC 793 TFTP RFC 791 IP RFC 792 ICMP RFC 854 Telnet RFC 958 NTP RFC 1908 SNMPv2c RFC 2068 HTTP RFC 2131 DHCP Client RFC 2732 Format for Literal IPv6 Addresses in URL's RFC 3315 DHCPv6 Client RFC 3513 IPv6 Addressing Architecture RFC 4443 ICMPv6 EIA/TIA RS232/422/485
Regulatory Approval	RoHS
Compatible Media Converter Chassis	MC-700/MC-1500/MC-1500R
Note.	Reset Button on the rear panel for resetting to factory default
Environment	
Operating Temperature	-10 ~ 60 degrees C
Storage Temperature	-10 ~ 70 degrees C
Humidity	5 ~ 95% (non-condensing)

Ordering Information

ICS-110	1-Port RS232/422/485 Serial Device Server
ICS-115A	1-Port RS232/422/485 Serial Device Server with 1-Port 100BASE-FX SFP

Related PoE Products

ICS-2100	Industrial RS-232/RS-422/RS-485 over 10/100Base-TX Media Converter (Copper, RJ-45)
ICS-2100T	IP30 Industrial 1-Port RS232/RS422/RS485 Serial Device Server (1 x 10/100TX, -40~75 degrees C)
ICS-2105AT	IP30 Industrial 1-Port RS232/RS422/RS485 Serial Device Server (1 x 100FX, -40~75 degrees C)
ICS-100	RS-232/RS-422/RS-485 over 10/100Base-TX Media Converter (Copper, RJ-45)
ICS-105A	RS-232/RS-422/RS-485 over 100Base-FX SFP Media Converter
MC-700	10" 7-Slot Media Converter Chassis
MC-1500	19" 14-Slot Media Converter Chassis
MC-1500R	15-Slot Media Converter Chassis (AC Power)

PLANET Technology Corporation

11F., No.96, Minquan Rd., Xindian Dist., New Taipei City 231, Taiwan (R.O.C.)

Tel: 886-2-2219-9518

Email: sales@planet.com.tw

Fax: 886-2-2219-9528

www.planet.com.tw



PLANET reserves the right to change specifications without prior notice. All brand names and trademarks are property of their respective owners. Copyright © 2020 PLANET Technology Corp. All rights reserved.

ICS-110/ICS-115A