

DC-T1434WG

4MP Active Deterrence Bullet Camera



1/1.8" progressive scan CMOS
 Max. 4MP(2688x1520) @25/30fps resolution
 Intelligent analytics: Smart Motion detection(Human and Vehicle)

True WDR, 3D DNR, ROI, HLC, BLC, Defog
 Built-in warm lights, illumination distance up to 40m or 60m
 Built-in Red and Blue Warning Light, Support Sound-Light Warning

1/1 Alarm in/out, 1/1 Audio in/out, Built-in Mic and Speaker
 Built-in micro SD card slot (up to 512GB)

SPECIFICATIONS

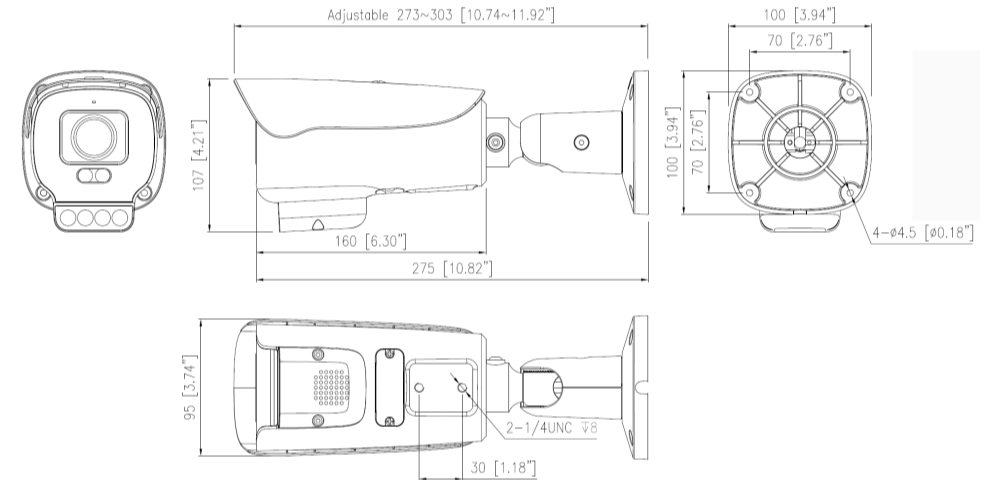
Video	
Image Sensor	1/1.8" Progressive Scan CMOS
Max. Resolution	4MP (2688x1520)
Scanning Mode	Progressive scan
Lens Type	Motorized focus
Focal Length	4.5 to 8 mm
Aperture	F1.0
Iris Control	P-Iris
Angular Field of View	4.5 to 8 mm, H: 101° to 57.5°, V: 52.7° to 32° 8 to 32 mm, H: 39.7° to 16°, V: 22.6° to 9.2°
Min. Illumination	Color: 0.0001 Lux @ (F1.0, AGC ON), 0 Lux with warm-light ON
Dynamic Range	True WDR
Electronic Shutter Speed	Auto/Manual, 1/5 to 1/50,000s
Day and Night	Fixed filter
IR Distance (LEDs)	40m / 131.2ft (4ea)
Image Setting	Image Adjustment: Brightness, Sharpness, Contrast, Saturation adjustable; Aisle Mode: Support; Mirror: Support; White Balance: Auto/Manual; Day/Night Setting: Auto, Day, Night, Time; Noise Reduction: 2D/3D DNR; Image Enhancement; HLC, BLC, Defog, True WDR; S/N Ratio 55db; Privacy masking: 4 areas
Backlight Compensation	BLC
Mirroring / Pivot	Support
Image Stabilizer	-
De-fog	YES
Privacy Masking	4 areas
Intelligent Video	Intelligent analysis: Smart Motion detection (Human and Vehicle)
Video Out	-
Pan/Tilt/Rotate	
Pan Range	Pan: 0° to 360°
Tilt Range	Tilt: 0° to 90°
Rotate Range	Rotation: 0° to 360°
Network	
Video Compression	H.265, H.264 (MP), M-JPEG
Intelligent Codec	-
Bitrate Control	CBR/VBR
Audio Compression	G.711, RAW_PCM
Two-way Audio	Yes
IP Camera Protocol	ONVIF (profile S/T/G/M)
Max. Frame Rate	Max. 4MP(2688x1520) @25/30fps resolution
Supported Resolution	4MP(2688x1520)
Multi-video Streaming	3 streams
Network Protocols	IPv4/IPv6, RTSP/RTCP/RTP, TCP/UDP, HTTPS, DHCP, DNS, DDNS, PPPoE, UPnP, ICMP, IGMP, FTP, NTP, SMTP, 802.1x, SNMP;
Security	IP address filter, encrypted HTTPS, illegal login lock, IEEE 802.1x
Ethernet	1 Ethernet (10/100 Base-T) RJ-45 Connector
Recording Session Buffer (NLSrec)	-
Edge Storage	SD Card Slot Built-in, up to 512 GB
Alarm and Event	
Trigger Event	Motion detection, Smart Motion, Alarm input
Event Notification	Alarm record, Alarm output, FTP upload, SMTP upload, Audible alarm output, Red and blue light alarm
Audio Alarm	Yes
Audio In / Out	1/1 Audio in/out (Built-in Mic / Speaker)
Alarm In / Out	1ch Input, 1ch Output
Environmental	
Vandal Proof Casing	IK10
Outdoor Ready	IP66
Operating Temperature	-40°C to 55°C (-40°F to 131°F)
Operating Humidity	Less than 90% RH
Electrical	
Power Source	DC12V (-15% to +25%)/PoE (802.3af)
Power Consumption	Max. 11W
Approval	CE/FCC
Mechanical	
Dimensions	303 x 100 x 107 mm (11.9 x 3.94 x 4.21 inch)
Weight	1.25 Kg (2.76 lb)



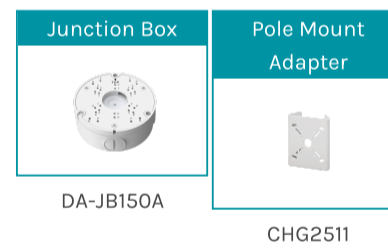
PRODUCT IMAGE







DIMENSIONS



ACCESSORIES (OPTIONAL)



ACCESSORY CONFIGURATION BY INSTALLATION ENVIRONMENT

PRODUCT	INSTALLATION ENVIRONMENT	ACCESSORY CONFIGURATION	
DC-T1434WG	WALL		WALL Model: DA-JB150A
	CELLING		CEILING Model: DA-JB150A
	POLE		POLE Model: CHG2511
			POLE Model: DA-JB150A