

DC-T6224HRXL

License Plate Capture Camera



Easy installation with DirectIP NVR
FullHD (1920 x 1080) resolution
Manual Vari-focal lens (f=12 - 50mm)

IR LED (Distance : 20m [License plate capture up to 80km/h])
True wide dynamic range (WDR)
Day and night (ICR)

Two-way audio
Alarm in / out
IP66 supports

SPECIFICATIONS

Video	
Image Sensor	1/2" CMOS
Max. Resolution	1920 x 1080
Scanning Mode	Progressive Scan
Lens Type	Vari-focal
Focal Length	12 ~ 50mm
Aperture	F1.5 ~ F1.9
Iris Control	P-Iris
Angular Field of View	Wide : 33o(H), 18o(V), 38o(D) Tele : 9o(H), 5o(V), 10o(D)
Min. Illumination	Color Mode : 0.02 lux @F1.5 BW Mode : 0 lux (IR LED ON)
Dynamic Range	120dB (True WDR)
Electronic Shutter Speed	Auto / Manual (1/30 ~ 1/10,000), Anti-Flicker, Slow Shutter (1/7.5, 1/15)
Day and Night	Yes (ICR)
IR Distance (LEDs)	20m (License plate capture up to 80km/h) 100m (Surveillance)
Image Setting	Configurable Exposure, White Balance, Sharpness
Backlight Compensation	-
Mirroring / Pivot	Horizontal / Vertical / Pivot
Image Stabilizer	-
De-fog	-
Privacy Masking	8 Zones
Intelligent Video	Video Motion Detection, Active Tampering Alarm, Trip Zone
Video Out	-
Network	
Video Compression	H.265, H.264 (MP), M-JPEG
Intelligent Codec	Yes
Bitrate Control	H.264 - CBR / VBR, H.265 - CBR / VBR
Audio Compression	ADPCM 16K, G.726, G.711 u-Law, G.711 a-Law
Two-way Audio	Yes
IP Camera Protocol	DirectIP 2.0
Max. Frame Rate	25ips : 1920 x 1080 30ips : 1920 x 1080
Supported Resolution	1920x1080, 1280x720, 704x480, 640x360, 352x240
Multi-video Streaming	Quadruple Streaming
Network Protocols	DirectIP 2.0 Protocol, RTP/RTSP/TCP, RTP/RTSP/HTTP/TCP, RTP/UDP RTSP/TCP, HTTP, HTTPS, FTP, SNMP, SMTP, FEN, mDNS, Upnp
Security	SSL Encryption, Multi-user Authority, IEEE 802.1x, IP Filtering, HTTPS, SSL Encryption
Ethernet	RJ45 (10/100BASE-T)
Recording Session Buffer (NLSrec)	Yes (Up to 60MB)
Edge Storage	micro SD/SDHC/SDXC, Smart Failover (Up to 512GB)
Alarm and Event	
Trigger Event	Motion Detection, Alarm in, Audio detection, Tampering, Trip Zone
Event Notification	Remote S/W, Email (with Image)
Audio Alarm	Yes
Audio In / Out	1 / 1
Alarm In / Out	2 / 1
Environmental	
Vandal Proof Casing	-
Outdoor Ready	IP66
Operating Temperature	-40°C ~ +60°C (-40°F ~ +140°F)
Operating Humidity	0% ~ 90%
Electrical	
Power Source	100V ~ 240VAC
Power Consumption	100-240V~, 50/60Hz, 1.0-0.5A, 50W
Approval	FCC, CE, KC
Mechanical	
Dimensions	166.5mm x 129.5mm x 540mm (6.56" x 5.1" x 21.26")
Weight	4.65 kg (10.25 lb)

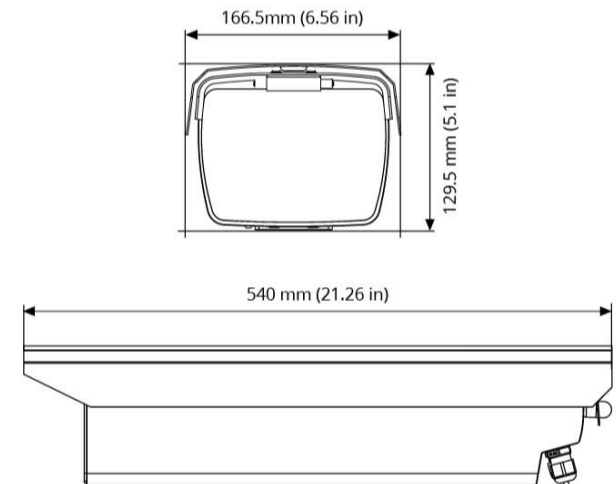


PRODUCT IMAGE

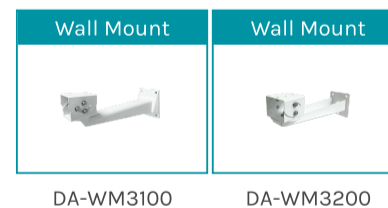


DIMENSIONS



Unit - mm (inch)



ACCESSORIES (OPTIONAL)



ACCESSORY CONFIGURATION BY INSTALLATION ENVIRONMENT

PRODUCT	INSTALLATION ENVIRONMENT	ACCESSORY CONFIGURATION
DC-T6224HRXL	WALL	 WALL Model: DA-WM3100
		or
		 WALL Model: DA-WM3200