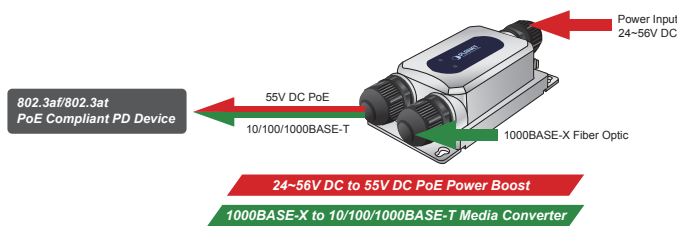


## Industrial IP67 1000BASE-X SFP to 10/100/1000BASE-T 802.3at PoE+ Media Converter



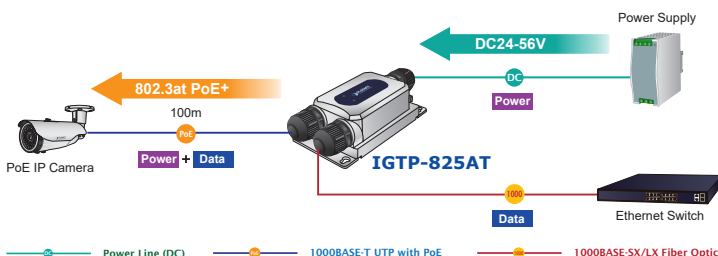
### Designed to Operate under Wide Temperature Range

PLANET IGTP-825AT is the industrial-grade Gigabit PoE+ Media Converter, featuring one **1000BASE-X SFP** fiber port and one **10/100/1000BASE-T 802.3at PoE+ copper** port in an **IP67** rugged but compact-size case. Being able to operate under the temperature ranging from -40 to 75 degrees C, the IGTP-825AT provides reliable, stable and continuous long-range data transmission and can be installed in any harsh environment without taking space into consideration.



### Backward Compatibility Saves Deployment Costs

The IPOE-825AT can deliver up to 30-watt 55V DC power over Cat.5/5e/6 Ethernet cables, doubling that of the earlier 802.3af. It is also backward compatible with 802.3af PoE standards to allow users to flexibly deploy standard and high powered devices simultaneously with no need for software configuration. With data and Power over Ethernet from one unit, the IGTP-825AT can reduce cable deployment and eliminate the need for dedicated electrical outlets on the wall, ceiling or any unreachable place.



### Physical Port

- **One 10/100/1000BASE-T** with IEEE 802.3at PoE+ Gigabit RJ45 port
  - Data + Power output
- **One 1000BASE-X SFP** interface
  - Data input
- One 2-pin terminal block for power input. (Power Range: 24 ~ 56V DC)

### Power over Ethernet

- 1-port data + power output
  - Complies with IEEE 802.3at Power over Ethernet plus PSE
  - Compatible with IEEE 802.3at/802.3af powered devices
  - Supports total PoE budget up to **30 watts** for PoE output port
  - Provides **DC 55V** power over RJ45 Ethernet cable to device with Ethernet port
  - Auto detects IEEE 802.3at/af equipment and protects devices from being damaged by incorrect installation
  - Remote power feeding up to 100m
  - Auto detects powered device (PD)

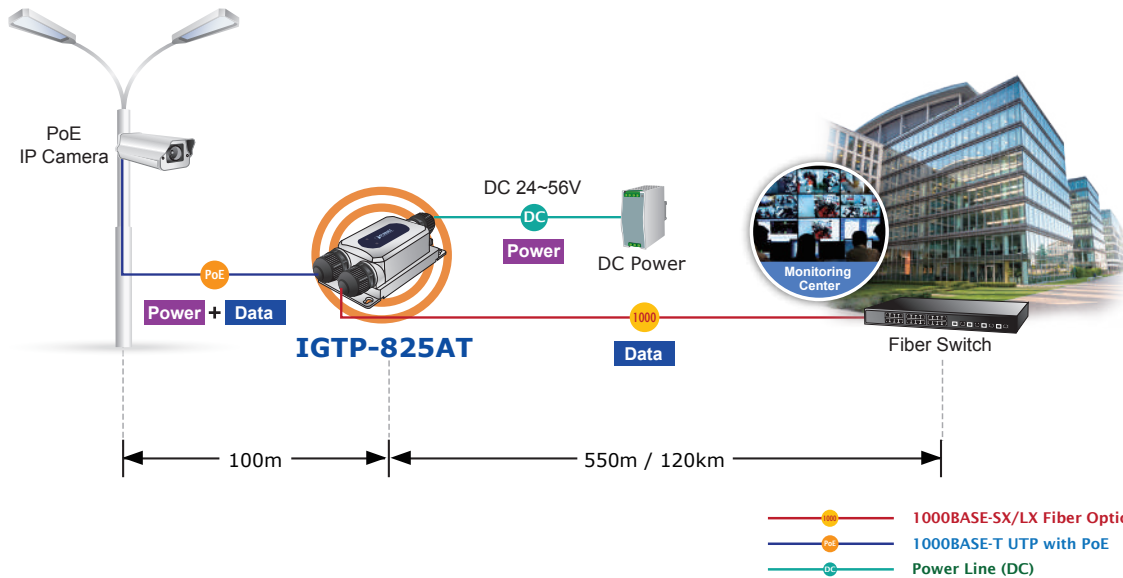
### Industrial Case and Installation

- IP67-rated and IK-10 rated aluminum case
- Wall-mount design
- Supports 6KV DC Ethernet ESD protection
- -40 to 75 degrees C operating temperature
- Plug and Play installation

### Fiber-optic Link Capability Extends Network Deployment Distance

The maximum distance between a PoE PSE (power sourcing equipment) and a PD via Ethernet UTP cable is 100 meters. To flexibly extend the PoE deployment range, the IGTP-825AT's SFP slot, supporting a 1000BASE-X SFP module, can extend the distance from 550m to 120km.

The SFP module (transceiver) is hot-pluggable and hot-swappable. You can plug in and out the transceiver to/from any SFP port without having to power down the Industrial 802.3at PoE+ Media Converter.

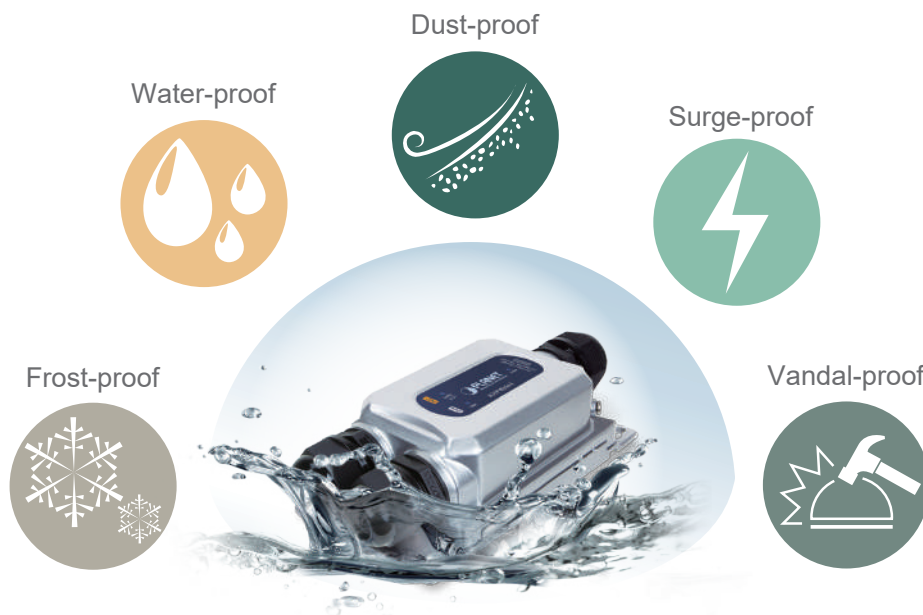


### Weather-proof RJ45 Ethernet Connector and Shielded Plug

The IGTP-825AT is ideal for installing an extended range of outdoor PoE devices such as outdoor PoE wireless access points, outdoor PoE IP cameras, outdoor PoE IP intercoms and many more. The IGTP-825AT is equipped with 3 waterproof cable glands for direct-attach applications. Assembled with a waterproof cable gland, it can make the general connector weather-proof and provides a tight and strong connection. Moreover, it comes with the industrial protection rating of IP67 capable of withstanding humidity, dirt, dust, shock, vibrations, heat and cold.

### Environmentally-hardened Design

With an industrial-level IP67-rated aluminum case, the IGTP-825AT provides a high level of immunity against electromagnetic interference and wide-ranging temperature capability, and can protect itself from dust and water ingress. All these features ensure the highest level of reliability for mission-critical applications in any difficult environment.



### Environmental Adaptations in Outdoor Area

#### Fluctuation Protection

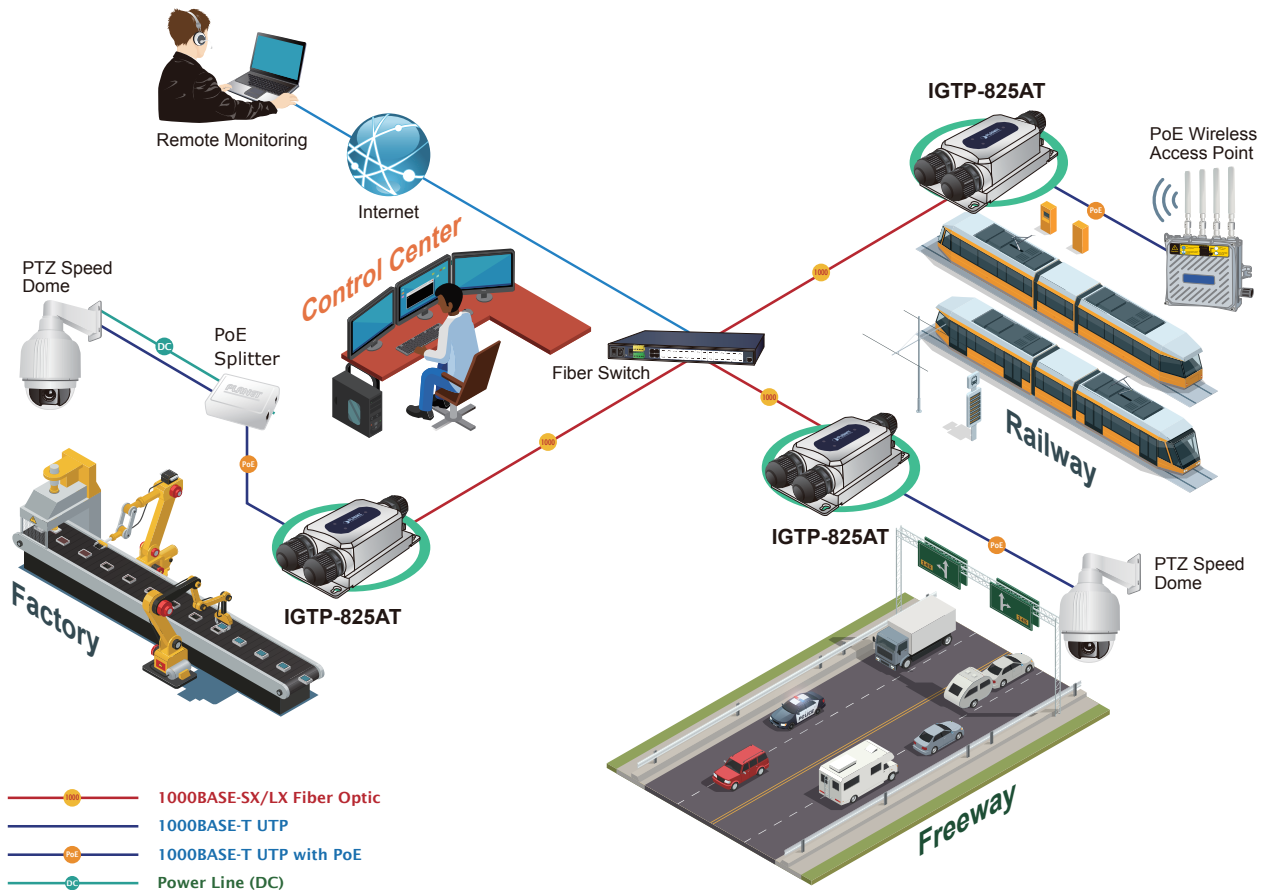
The IGTP-825AT provides  $\pm 8\text{KV}$  DC for Ethernet ESD protection and  $\pm 6\text{KV}$  surge immunity to improve product stability and thus protects networks from power fluctuation.

## Applications

### Flexible and User-friendly PoE Deployment with Gigabit Fiber Extension

For the places difficult to find the power outlet, the IGTP-825AT provides the easiest way to power network equipment such as PTZ (pan, tilt & zoom) IP cameras, speed dome IP cameras, color touch-screen VoIP telephones, multi-channel (IEEE 802.11a/b/g/n/ac) wireless LAN access points and other network devices that need a higher power to function normally.

With the IGTP-825AT, users can flexibly install security IP cameras, wireless access points and other IEEE 802.3af/at compliant network equipment in public areas such as stations, freeways, airports and campuses for surveillance and wireless roaming needs.

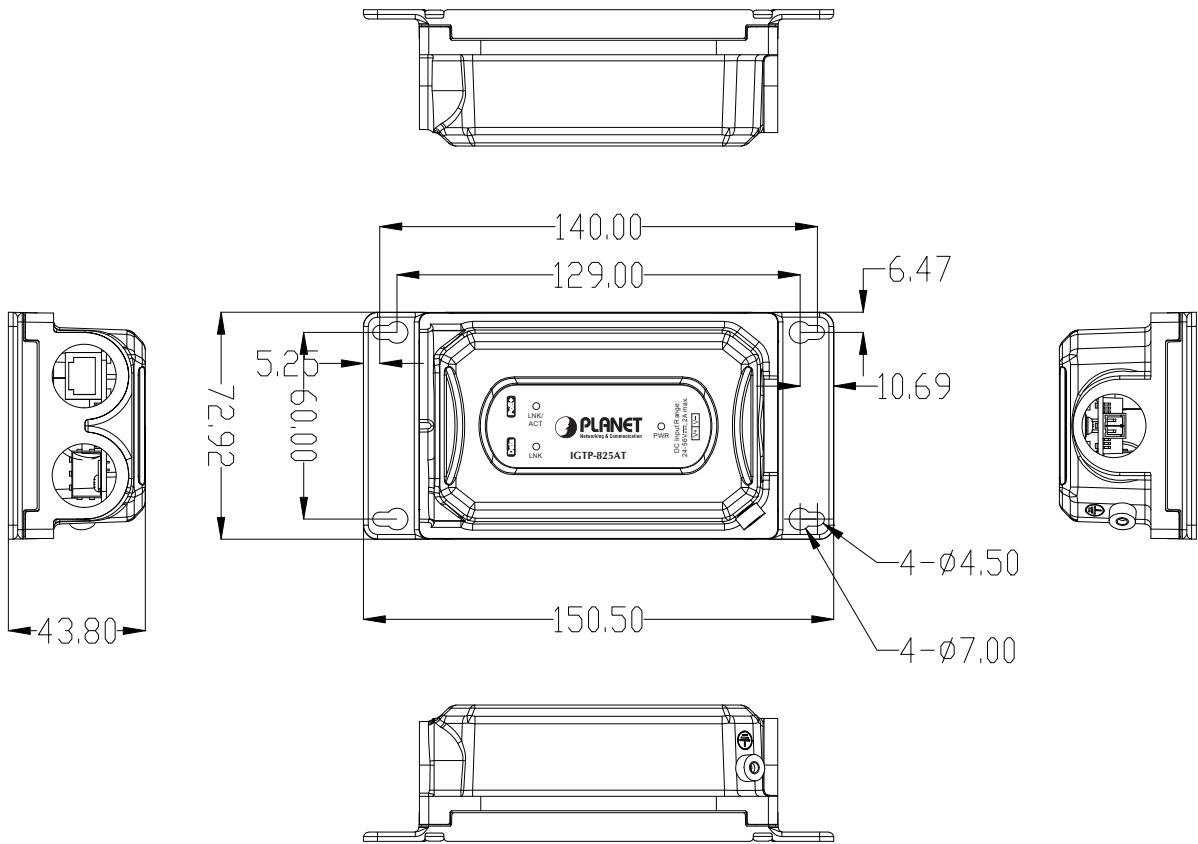


## Product Specifications

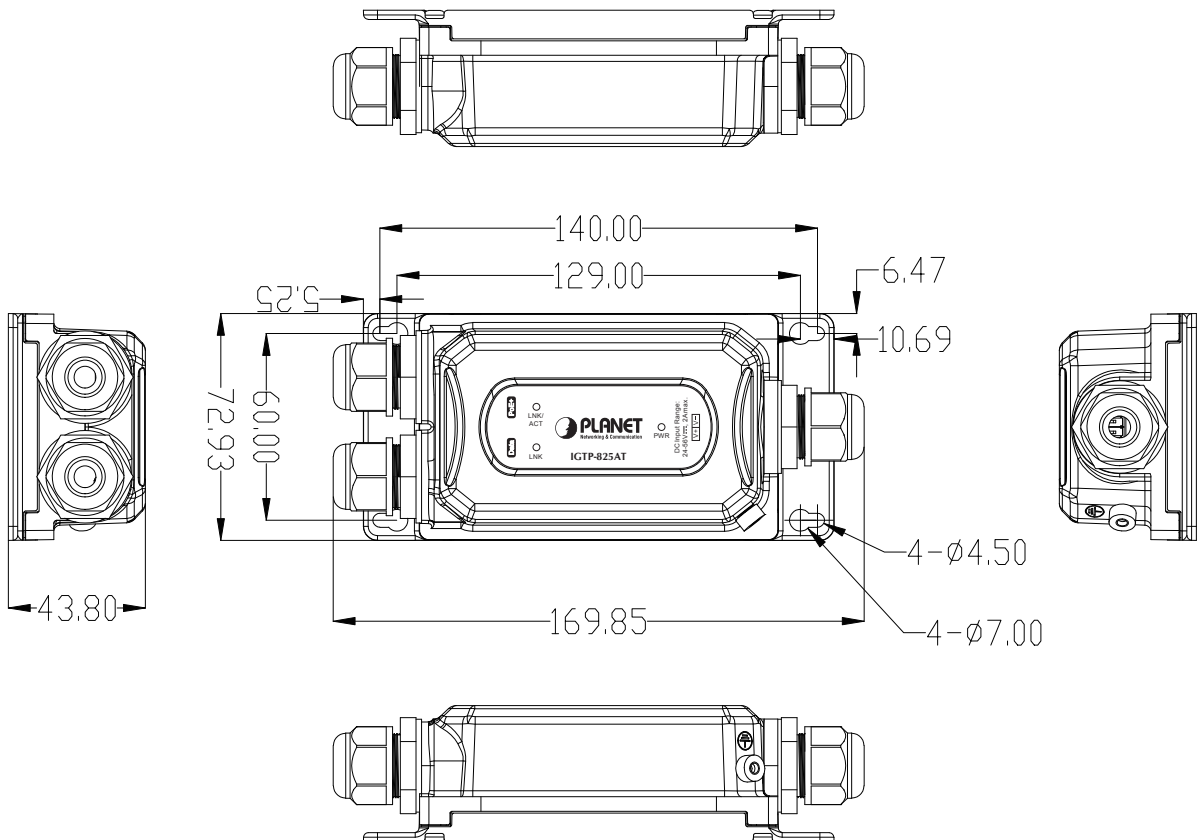
|                                    |   |  |                  |  |
|------------------------------------|---|--|------------------|--|
| Product                            |   | <b>IGTP-825AT</b>  |                  |  |
| <b>Hardware Specifications</b>     |   |  |                  |  |
| Interface                          | Input Port (SFP Slot)   | 1 x 1000BASE-SX/LX/BX <b>"Data"</b> in SFP port  |                  |  |
|                                    | Output Port   | 1 x 10/100/1000BASE-T Ethernet with IEEE 802.3at PoE+<br><b>"Data + DC"</b> out RJ45 port<br>- Auto MDI/MDI-X, auto-negotiation RJ45 connector |                  |  |
|                                    | Input Power Terminal Block  | 1 x <b>2-pin</b> terminal block<br>- Pin 1/2 for Power (Pin 1: V+ / Pin 2: V-)   |                  |  |
| Cables                             | 10BASE-T: UTP category 3, 5 cable (≤100m)<br>100BASE-TX: UTP category 5,5e cable (≤100m)<br>1000BASE-T: UTP category 5e,6 cable(≤100m)<br>1000BASE-SX/LX:<br>- Multi-mode: 50/125µm or 62.5/125µm optical fiber<br>- Single-mode: 9/125µm optical fiber |  |                  |  |
| LED                                | <b>PWR (Green)</b><br>TP 10/100/1000BASE-T: <b>LNK/ACT (Green)</b><br>Fiber 1000BASE-X: <b>LNK (Green)</b>  |  |                  |  |
| Input Voltage                      | 24~56V DC   |  |                  |  |
| PowConsumption                     | Voltage   | System on  | Full Load (Max.) |  |
|                                    | DC 24V  | 1.2W   | 43.2W            |  |
|                                    | DC 36V  | 1.44W  | 41.7W            |  |
|                                    | DC 54V  | 1.62W  | 41.5W            |  |
| ESD Protection                     | Air 8KV DC<br>Contact 6KV DC  |  |                  |  |
| Surge Protection                   | 6KV   |  |                  |  |
| Enclosure                          | IP67-rated and IK10 aluminum metal case   |  |                  |  |
| Installation                       | Wall-mount ear  |  |                  |  |
| Dimensions (W x D x H)             | 150 x 43.8 x 72.94 mm   |  |                  |  |
|                                    | 169.85 x 43.8 x 72.94 mm, with cable gland  |  |                  |  |
| Weight                             | 389g  |  |                  |  |
| MTBF                               | >100000 hours   |  |                  |  |
| <b>Power over Ethernet</b>         |   |  |                  |  |
| PoE Standard                       | IEEE 802.3at Power over Ethernet Plus / End-span PSE<br>Backward compatible with IEEE 802.3af Power over Ethernet   |  |                  |  |
| PoE Power Output                   | 55V DC, max. 30 watts   |  |                  |  |
| PoE Power Supply Type              | End-span  |  |                  |  |
| Power Pin Assignment               | 1/2(+), 3/6(-)  |  |                  |  |
| PoE Power Budget                   | 30 watts (max.) @ IEEE 802.3at PoE+ input   |  |                  |  |
| <b>Standards Conformance</b>       |   |  |                  |  |
| Regulatory Compliance              | FCC Part 15 Class A, CE   |  |                  |  |
| Protocols and Standards Compliance | IEEE 802.3 Ethernet   |  |                  |  |
|                                    | IEEE 802.3u Fast Ethernet   |  |                  |  |
|                                    | IEEE 802.3ab Gigabit Ethernet   |  |                  |  |
|                                    | IEEE 802.3z Gigabit Ethernet over Fiber Optic   |  |                  |  |
|                                    | IEEE 802.3x Flow Control  |  |                  |  |
|                                    | IEEE 802.3af Power over Ethernet  |  |                  |  |
|                                    | IEEE 802.3at Power over Ethernet Plus   |  |                  |  |
| Stability Testing                  | IEC60068-2-32 (free fall)   |  |                  |  |
|                                    | IEC60068-2-27 (shock)   |  |                  |  |
|                                    | IEC60068-2-6 (vibration)  |  |                  |  |
| <b>Environment</b>                 |   |  |                  |  |
| Temperature                        | Operating: -40~75 degrees C   |  |                  |  |
|                                    | Storage: -40~85 degrees C   |  |                  |  |
| Humidity                           | Operating: 5~90% (non-condensing)   |  |                  |  |
|                                    | Storage: 5~90% (non-condensing)   |  |                  |  |

## Dimensions

- IGTP-825AT without waterproof cable glands



- IGTP-825AT with waterproof cable glands



## Ordering Information

|            |  |
|------------|--|
| IGTP-825AT | Industrial IP67 1000BASE-X SFP to 10/100/1000BASE-T 802.3at PoE+ Media Converter |
|------------|--|

## Related Products

|                        |  |
|------------------------|--|
| IGTP-805AT             | 100/1000BASE-X to 10/100/1000BASE-T 802.3at PoE+ Industrial Media Converter (mini-GBIC, SFP) |
| IGTP-802T              | 1000BASE-SX to 10/100/1000BASE-T 802.3at PoE+ Industrial Media Converter (SC,MM) -- 550m     |
| IGTP-802TS             | 1000BASE-LX to 10/100/1000BASE-T 802.3at PoE+ Industrial Media Converter (SC,SM) -- 10km     |
| IGTP-815AT             | Industrial Compact 100/1000BASE-X to 10/100/1000BASE-T 802.3at PoE+ Media Converter          |
| GTP-805A               | 100/1000BASE-X to 10/100/1000BASE-T 802.3at PoE Media Converter (mini-GBIC, SFP)             |
| MGB-Series Transceiver | 1000BASE-SX/LX SFP Transceiver   |

## Available 1000Mbps Modules

|          |   |
|----------|---|
| MGB-SX   | SFP-Port 1000BASE-SX mini-GBIC module - 550m                      |
| MGB-SX2  | SFP-Port 1000BASE-SX mini-GBIC module - 2km                       |
| MGB-LX   | SFP-Port 1000BASE-LX mini-GBIC module - 20km                      |
| MGB-L40  | SFP-Port 1000BASE-LX mini-GBIC module - 30km                      |
| MGB-L80  | SFP-Port 1000BASE-LX mini-GBIC module - 70km                      |
| MGB-L120 | SFP-Port 1000BASE-LX mini-GBIC module - 120km                     |
| MGB-LA10 | SFP-Port 1000BASE-LX (WDM,TX:1310nm) mini-GBIC module - 10km      |
| MGB-LB10 | SFP-Port 1000BASE-LX (WDM,TX:1550nm) mini-GBIC module - 10km      |
| MGB-LA20 | SFP-Port 1000BASE-LX (WDM,TX:1310nm) mini-GBIC module - 20km      |
| MGB-LB20 | SFP-Port 1000BASE-LX (WDM,TX:1550nm) mini-GBIC module - 20km      |
| MGB-LA40 | SFP-Port 1000BASE-LX (WDM,TX:1310nm) mini-GBIC module - 40km      |
| MGB-LB40 | SFP-Port 1000BASE-LX (WDM,TX:1550nm) mini-GBIC module - 40km      |
| MGB-TSX  | SFP-Port 1000BASE-SX mini-GBIC module - 550m (-40 ~ 75 degrees C) |
| MGB-TSX2 | SFP-Port 1000BASE-SX mini-GBIC module - 2km (-40 ~ 75 degrees C)  |
| MGB-TLX  | SFP-Port 1000BASE-LX mini-GBIC module - 20km (-40 ~ 75 degrees C) |
| MGB-TL40 | SFP-Port 1000BASE-LX mini-GBIC module - 30km (-40 ~ 75 degrees C) |
| MGB-TL80 | SFP-Port 1000BASE-LX mini-GBIC module - 70km (-40 ~ 75 degrees C) |