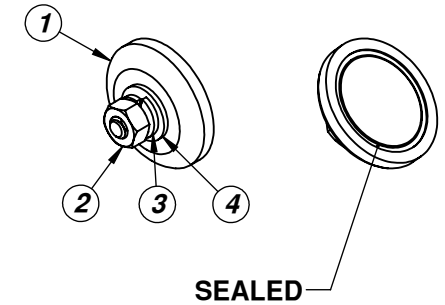
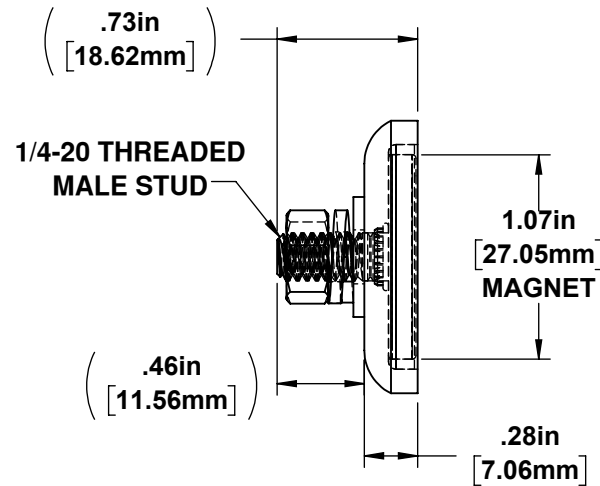
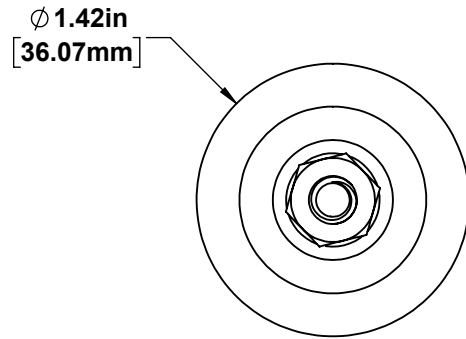


# MAG4™ KIT

ITEM NO.	PART NUMBER	DESCRIPTION	QTY.
1	MAG4™	1/4"-20 MALE STUD SEALED NEODYMIUM MAGNET MOUNT, 100 LBS.	1
2	1/4-20 SS HEX NUT	1/4"-20 STAINLESS STEEL HEX NUT	1
3	1/4" SS SPLIT LOCK WASHER	1/4" 18-8 STAINLESS STEEL SPLIT LOCK WASHER	1
4	1/4" SS FLAT WASHER	1/4" STAINLESS STEEL FLAT WASHER	1



## INDOOR USE RECOMMENDED

OPERATING TEMPERATURE ; -40° - 176° F (-40° - 80°C)

**Please read before use!** Disclaimer: Mag Daddy neither assumes nor accepts any liability for damages resulting from the handling or use of magnets. With your purchase, the buyer confirms that you have read and understand the following warnings: the buyer agrees that he/she is responsible for all damages/injuries caused by the magnets, which includes personal injuries, property damages or magnet damages. The buyer must agree with the terms before purchase. Pull forces we have provided are estimates only, we are not responsible for any inaccuracy of the magnet pull force. *Please test the pull force before any usage.* Magnets are very strong. Handling them with care is necessary to prevent personal injuries, property damages and magnet damages.  
 CAN BE HARMFUL TO PACEMAKER WEARERS and others with MEDICAL IMPLANTS.

CONFIDENTIAL: USE OF THIS DRAWING WITHOUT WRITTEN AUTHORIZATION BY MAG-DADDY, LLC IS PROHIBITED.		INCH <input checked="" type="checkbox"/> MM	SCALE: 1:1	Sheet Size: A
GENERAL TOLERANCE: UNLESS OTHERWISE SPECIFIED: $\pm .020$ (.51mm)		THIRD ANGLE PROJECTION	 295 Jamie Ln. Wauconda, IL 60084 www.magdaddyusa.com PH:(847) 719-5600	
ANGLES: $\pm 5^\circ$		APV.	CK.	DWN. SS DATE: 11/30/22
MATERIAL: SEE BOM	PART DESCRIPTION: 1/4"-20 MALE STUD 100 lb. SEALED NEODYMIUM MAGNET MOUNT W/HARDWARE	PART NO. <b>MAG4™ KIT</b>		