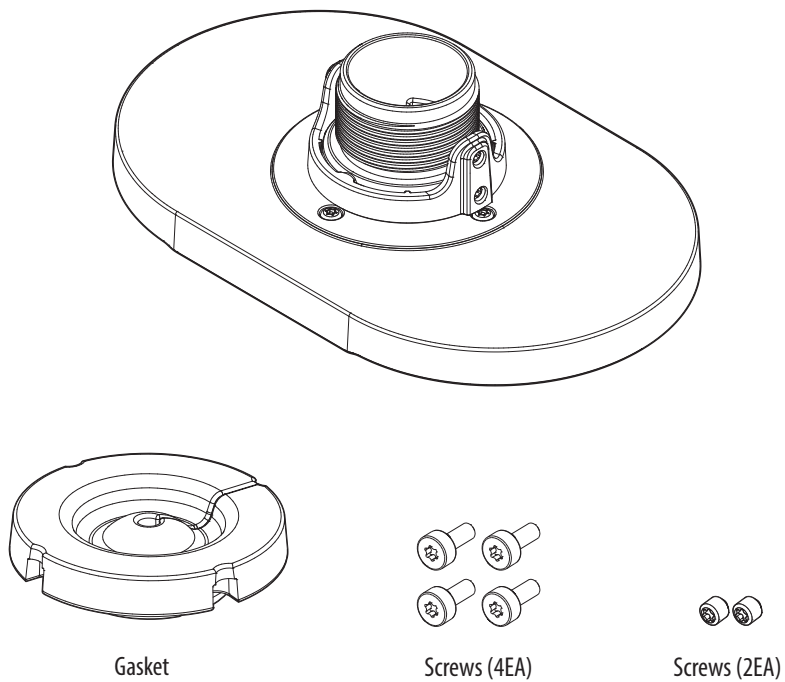


Hanging Adaptor

SBP-215HMWB



Package

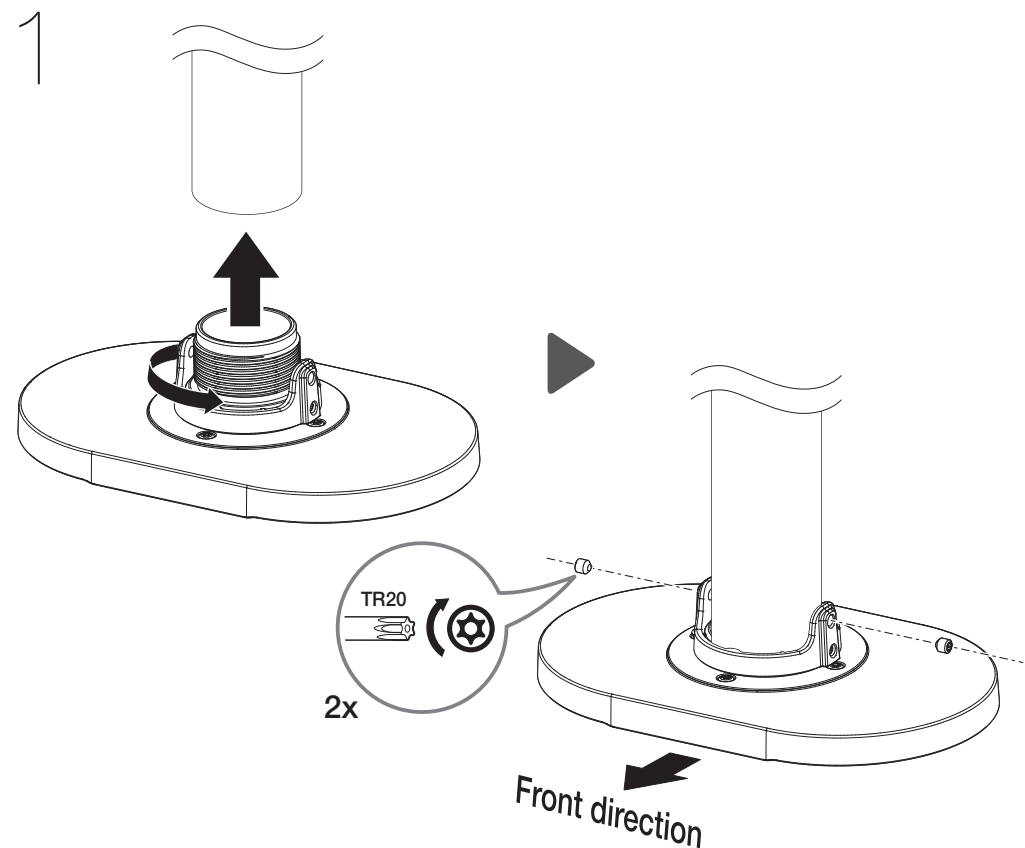


PT01-006205A

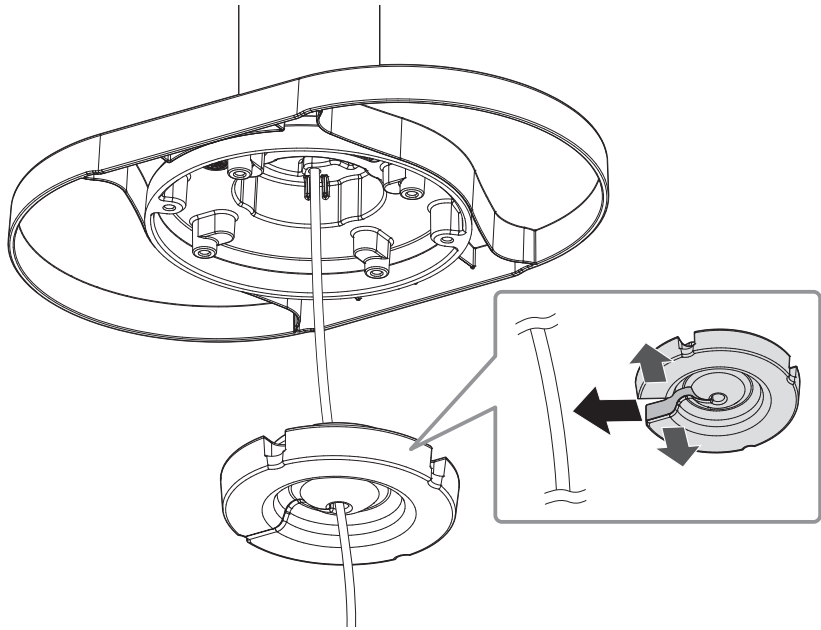
Installation Precautions

- Make sure that the installation place can endure at least 4 times of the total weight of the installation structure.
- The Hanging Adaptor can be also connected to 1 1/2" PF screw-thread pipe as well as to the Ceiling Mount.

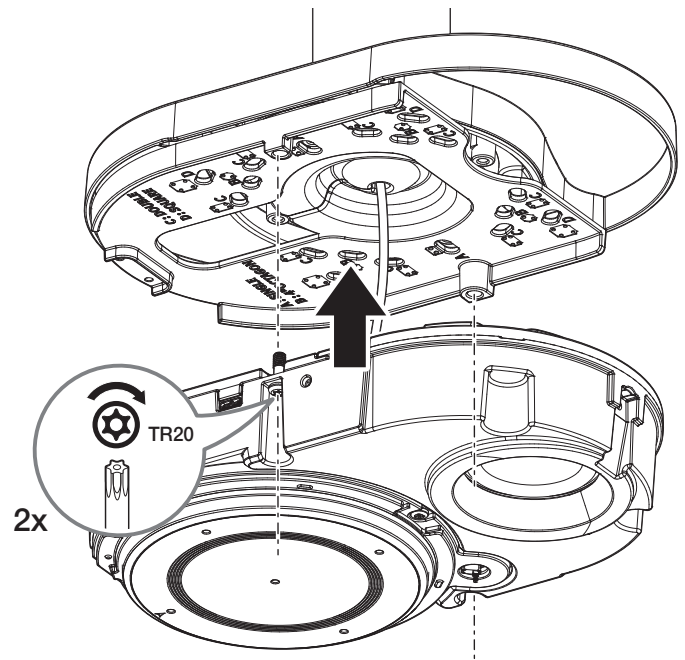
Installation



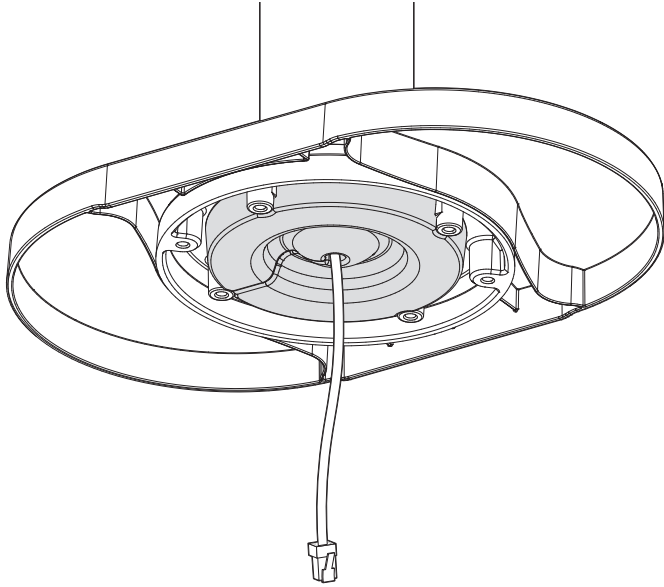
2



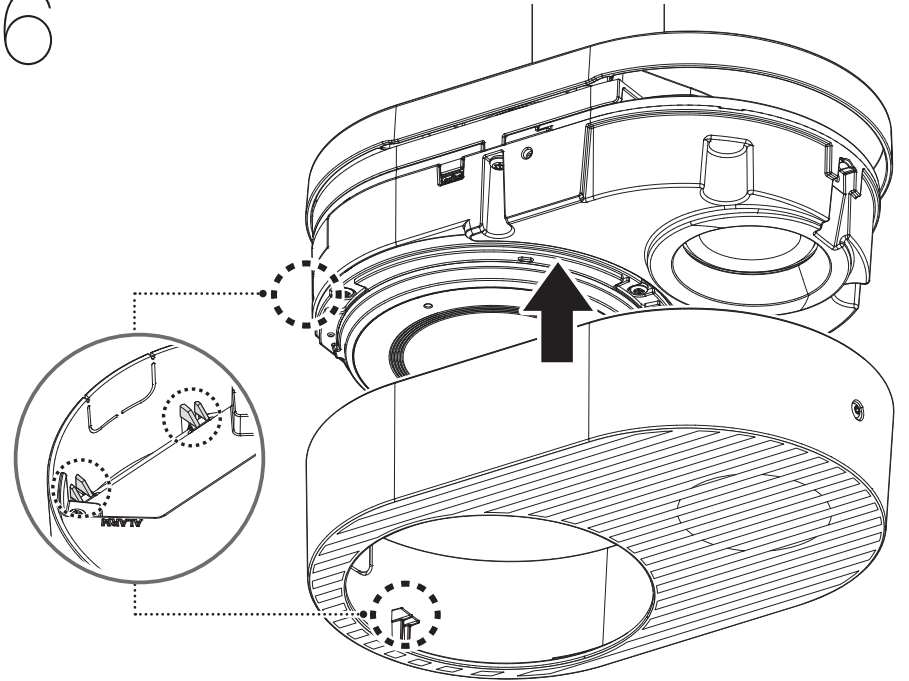
5



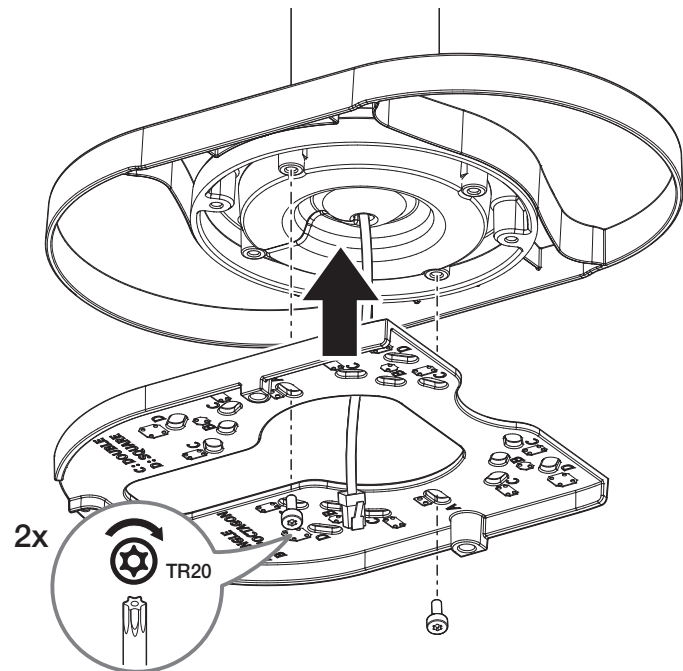
3



6



4



7

