

Network Video Recorder

NVR816 Series



Features

- Support Ultra 265/H.265/H.264 video formats
- 64/128-channel input
- Support mainstream cameras of ONVIF conformance(Profile S, Profile G, Profile T) and RTSP protocols
- Support 2-ch HDMI, 1-ch VGA, HDMI at up to 4K(3840x2160) resolution
- HDMI1, HDMI2 and VGA independent outputs provided
- Up to 12 Megapixels resolution recording
- Redundant power supply optional
- Support HDD hot swap with RAID 0, 1, 5, 6, 10, 50, 60 storage scheme configurable
- Support 2 miniSAS Interfaces
- Support 12V power output
- ANR technology to enhance the storage reliability when the network is disconnected
- Support cloud upgrade
- Support N+1 Hot spare

Specifications

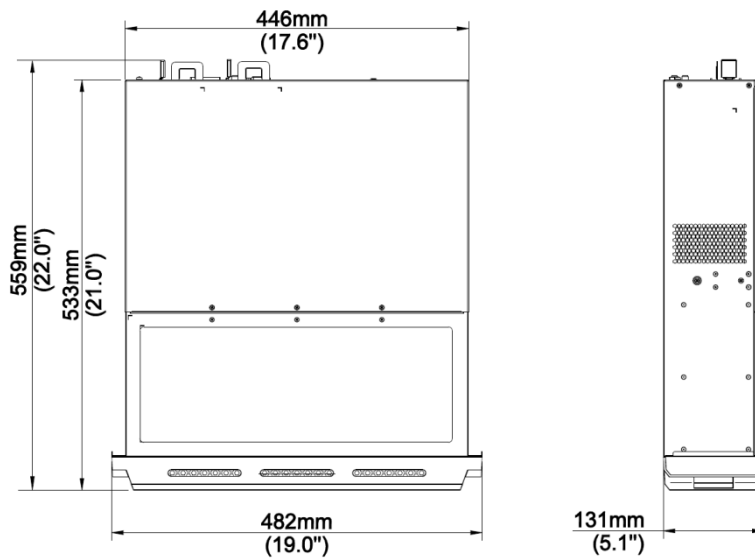
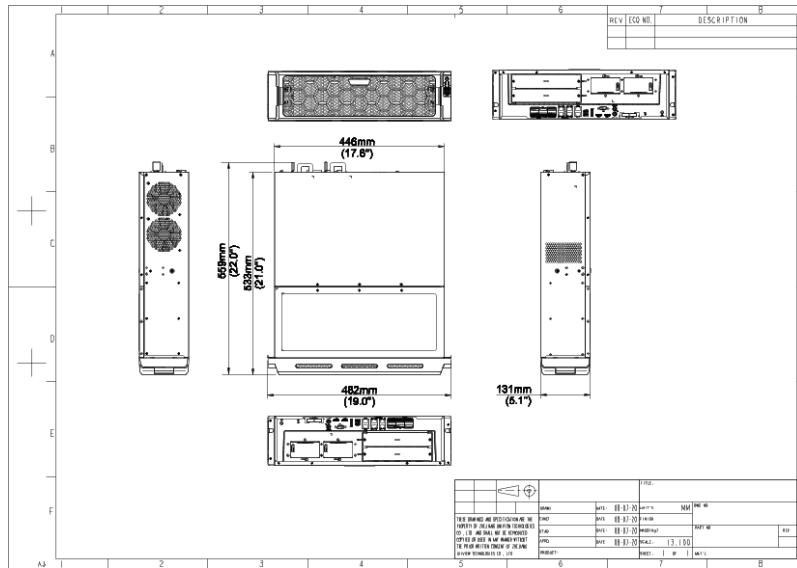
Decoding	Description
Decoding Format	Ultra 265, H.265, H.264

Decoding Capability	3 x 12MP@25, 4 x 4K@30, 16 x 1080P@30, 32 x 960P@25, 36 x 720P@30, 64 x D1
Decoding Capability Description	*. The resolution of each channel cannot exceed 4096 pixels in length or width.; *. For VGA/HDMI independent output, the VGA live video is output by default. To output the highest resolution video from the HDMI port, please clear the VGA video on the preview page.
Audio Compression	G.711A, G.711U
Network	Description
Incoming Bandwidth	512Mbps
Outgoing Bandwidth	512Mbps
Remote Users	128
Protocols	TCP/IP; P2P; UPnP; NTP; DHCP; PPPoE; HTTP; HTTPS; DNS; DDNS; SNMP; SMTP; NFS; RTSP; 802.1x; IPv6; IPv4
Browser(Plugin)	Windows: IE (IE10/ 11), Firefox (version 52.0 and above), Chrome (version 45 and above), Edge (version 79 and above)
Video/Audio Input	Description
IP Video Input	NVR816-64:64-ch NVR816-128:128-ch
RCA Audio Input	1-ch
Video/Audio Output	Description
HDMI Output	4K(3840x2160)/30Hz, 1920x1080/60Hz, 1920x1080/50Hz, 1600x1200/60Hz, 1280x1024/60Hz, 1280x720/60Hz, 1024x768/60Hz
VGA Output	1920x1080/60Hz, 1920x1080/50Hz, 1600x1200/60Hz, 1280x1024/60Hz, 1280x720/60Hz, 1024x768/60Hz
RCA Audio Output	1-ch
Liveview Display	VGA:1/4/6/8/9/16/25/36, HDMI1/HDMI2:1/4/6/8/9/16/25/36/64
Corridor Mode Screen	3/4/5/7/9/10/12/16/32
Two-way Audio	Description
Two-way Audio	1-ch, RCA (Using the audio input and output)
Snapshot	Description
FTP/Schedule/Event Snapshot	NVR816-64:64-ch snapshot, up to 4K resolution NVR816-128:128-ch snapshot, up to 4K resolution
Recording	Description
Recording Resolution	12MP/8MP/6MP/5MP/4MP/3MP/1080P/960P/720P/D1/2CIF/CIF

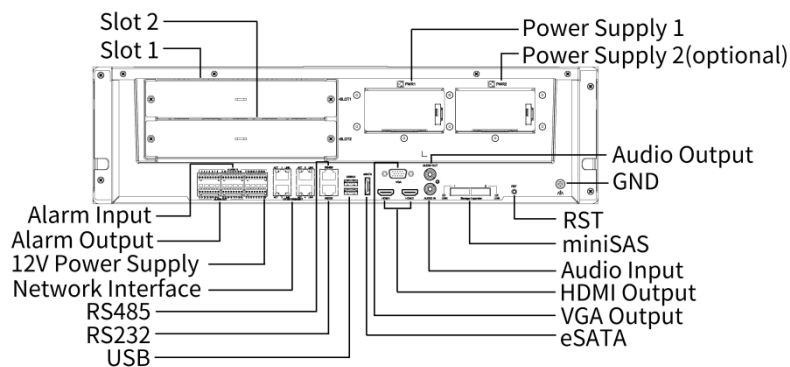
Synchronous Playback in Local	16-ch
Smart	Description
VCA Detection by IPC	Face Detection; face detection; Vehicle Detection; SIP (Intrusion Detection, Cross Line Detection, Enter Area, Leave Area); Ultra Motion Detection (UMD); Temperature Detection (Fire Detection, Smoking Detection, Temperature Measurement, Smoke and Fire Detection); People Counting (People Flow Counting, Crowd Density Monitoring); Video Metadata; Traffic Monitoring
Smart by NVR	In the Smart Card datasheet
VCA Search	Motor Vehicle Search; Non-Motor Vehicle Search; Human Body Search; General Search; People Counting Report
Smart by IPC	All channels (up to 64 images/s in total)Face Detection, face detection, Vehicle Detection, Temperature Detection, SIP, UMD, Video Metadata, Traffic Monitoring
Vehicle Picture Library	Up to 5 vehicle picture libraries, with up to 25,000 vehicle pictures in total
SIP by NVR	In the Smart Card datasheet
Capacity of Snapshot Records	3 millions records for face snapshot; 3 millions records for vehicle snapshot; 2 millions records for SIP
Alarm	Description
General Alarm	Defocus Detection; Scene Change Detection; Object Left Behind; Object Removed; Auto Tracking; Motion Detection; Tampering; Human Body Detection; Video Loss; Alarm Input; Audio Detection
Alert Alarm	IP Conflict; Network Disconnected; Disk Offline; Disk Abnormal; Illegal Access; Hard Disk Space Low; Hard Disk Full; Recording/Snapshot Abnormal; High CPU Temperature; High Motherboard Temperature; Array Damaged; Array Degraded
GUI Language	Description
GUI Language	38 languages: Simplified Chinese, Traditional Chinese, English, Vietnamese, Thai, Turkish, Spanish (Latin America), Portuguese (Brazil), Spanish, Portuguese, French, German, Italian, Dutch, Polish, Czech, Hungarian, Slovak, Russian, Hebrew, Arabic, Ukrainian, Estonian, Bulgarian, Greek, Romanian, Danish, Swedish, Norwegian, Finnish, Croatian, Slovenia, Serbia, Korean, Japanese, Latvian, Lithuanian, Persian
Hard Disk	Description
SATA	16 SATA Interfaces
Capacity	Up to 16TB for each HDD (The maximum HDD capacity varies with environment temperature)
Disk Array Type	RAID 0, 1, 5, 6, 10, 50, 60
Hot Swap	Support
External Interface	Description

Network Interface	4 RJ45 10M/100M/1000M self-adaptive Ethernet Interface
USB	Front panel: 2 x USB2.0; Rear panel: 2 x USB3.0
RS485	1
RS232	1
Alarm In	24-ch
Alarm Out	8-ch
eSATA	1
miniSAS	2
Extension Board	2
Power Output	12V
Power Supply	AC 100 ~ 240 V
Power Switch	Support
Redundant Power Supply	Support
Working Environment	Description
Working Temperature	-10 °C ~ 55 °C (14 °F ~ 131 °F)
Working Humidity	≤ 90% RH (non-condensing)
Power Consumption (without HDD)	≤ 65W
Dimensions	Description
Weight (without HDD)	≤ 12.5Kg (27.56lb)
Dimensions	482mm × 533mm × 131.0mm (19.0"×21.0"×5.1")
Certification	Description
Certification	CE; FCC; UL; RoHS; WEEE
CE	EN 55032, EN 61000-3-3, EN IEC 61000-3-2, EN 55035
FCC	Part15 Subpart B

Dimensions



Rear Panel



Zhejiang Uniview Technologies Co., Ltd.

No. 369, Xietong Road, Xixing Sub-district, Binjiang District, Hangzhou City, 310051, Zhejiang Province, China (Zhejiang) Pilot Free Trade Zone, China

Email: overseasbusiness@uniview.com; globalsupport@uniview.com

<http://www.uniview.com>

©2023-2024 Zhejiang Uniview Technologies Co., Ltd. All rights reserved.

*Product specifications and availability are subject to change without notice.

*Despite our best efforts, technical or typographical errors may exist in this document. Uniview cannot be held responsible for any such errors and reserves the right to change the contents of this document without prior notice.