

# P5R6352E2 5MP Day & Night Fixed IR Vandal Resistant IP Dome Camera

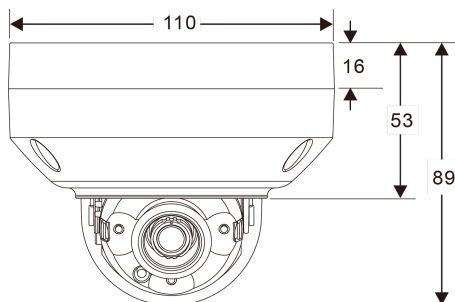
www.meritlilin.com



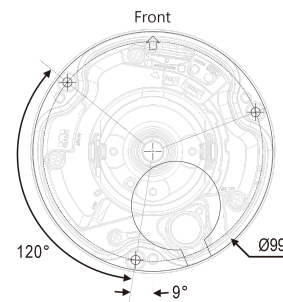
- ▶ 5 megapixel CMOS image sensor
- ▶ 5MP H.265/HEVC and H.264/AVC high-performance video compression
- ▶ Simultaneous streaming of H.265 and H.264 encoded streams
- ▶ 3D noise reduction (MCTF)
- ▶ 2D WDR function
- ▶ DWDR function up to 70dB
- ▶ High efficiency IR LED, radiant distance up to 30m
- ▶ Day & Night (IR cut removable)
- ▶ Digital I/O : 1 in, 1 out
- ▶ Impact Resistant Polycarbonate Dome Cover
- ▶ 3-Axis construction
- ▶ ONVIF Profile S supported
- ▶ IP67 rain and dust resistant
- ▶ Vandal resistant approve

## Dimensions

Ø110 × 89(H) mm



## Diagram of mounting holes:(unit in mm)



## Wind and Rain Standards

Meet international IP67 standards for dust and moisture resistant allowing you to install cameras in environments subject to wind and rain



## Impact Resistant

IK10-certified housing designed to protect the camera from destructive behavior



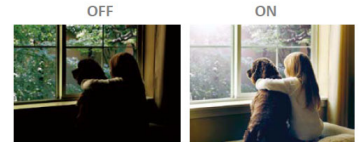
## Day and Night Operations via Removal of the IR-cut filter

P5R6352E2 camera was designed using a mechanical IR cut filter for increased IR sensitivity resulting in improved night time images. The removable IR-cut filter allows day and night operations even in the low lux condition providing outstanding vision



## Back Light Compensation

Back Light Compensation (BLC) adjusts the exposure of the entire image to properly expose the subject in the foreground. No matter if the main object is moving toward left, right, upper, lower, or any location in the screen, BLC provides perfect exposure for an object in front of strong back light



## Sense Up+

Deliver outstanding video outputs in poor light conditions without experiencing motion blur. You can see video clearly even during nighttime without sufficient lighting support



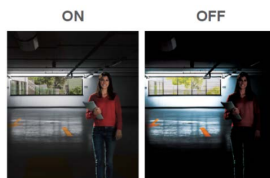
## 3D Noise Reduction

Remove noise from a signal. Suppressing noise in an image in low light conditions and able to retain quality videos at the same time



## Wide Dynamic Range (WDR)

Wide Dynamic Range (WDR) displays details of both the brightest and darkest areas. WDR can extend image visibility under high contrast lighting scenes and improve image quality



## Privacy Masking

Privacy Masking is a feature used to protect personal privacy by concealing private areas in the camera's field of view. Doorways and house windows for example are not subject to surveillance



## Video Security App

Available on Android and iOS – LILINViewer app provides security alarm push notification, real-time live viewing, and remote video playback



## SD Cards in Sync with NAV Software

P5R6352E2 camera with built-in Micro SD/SDHC/SDXC card slots can provide redundant video viewing and recording. You can synchronize an SD card with LILIN VMS (Video Management Software) – Navigator (NAV)



## 5MP Day & Night Fixed IR Vandal Resistant IP Dome Camera

### Video Performance

|                   |   |
|-------------------|---|
| Model             | P5R6352E2   |
| Min. Illumination | Color : 0.04 Lux at F2.0 ; B/W : 0.006 Lux at F2.0 ; 0 Lux with IR LED ON |

### Power and Environment

|                       |   |
|-----------------------|---|
| Starting Temperature  | -10°C – +50°C (14°F – 122°F)              |
| Operating Temperature | -30°C – +50°C (-22°F – 122°F)             |
| Storage Temperature   | -25°C – +60°C (-13°F – 140°F)             |
| Humidity              | 0% ~ 90% RH                               |
| Power Supply          | DC12V ±10% / PoE (IEEE 802.3af compliant) |
| Power Consumption     | DC12V, 6.7W / PoE, 8.5W                   |

### Lens / Night vision (infrared LED)

|                  |                                |
|------------------|--------------------------------|
| Focal Length     | 2.8mm                          |
| Iris             | F2.0                           |
| Iris Control     | Fixed IRIS                     |
| Angle of View    | 98.0° (H) 72.3° (V) 124.5° (D) |
| Peak Wavelength  | 850nm                          |
| Beam Spread      | 60°                            |
| Radiant Distance | 30M                            |

### Sensor

|                  |  |
|------------------|--|
| Pick Up Element  | 1/2.7" CMOS image sensor               |
| Effective Pixels | 2608(H) X 1960(V) = 5,499,760 (Pixels) |
| Light sensor     | Yes                                    |

### Certifications

|                         |                  |
|-------------------------|------------------|
| CE                      | Yes, EMI CLASS A |
| FCC                     | Yes, EMI CLASS A |
| IP Rating               | IP67             |
| Vandal Resistant Rating | IK10             |

### PC Requirements

|             |  |
|-------------|--|
| CPU         | Intel® Core™ i7 or higher grade          |
| OS          | Windows 7 or above                       |
| RAM         | 8GB or more, Dedicated Graphics Card     |
| Web browser | Microsoft® Internet Explorer® 9 or above |

### Mechanical

|                 |                 |
|-----------------|-----------------|
| Dimension       | Ø110 × 89(H) mm |
| Weight          | 520g            |
| Casing Material | Aluminum alloy  |

### Input / Output

|                      |   |
|----------------------|---|
| Alarm Input / Output | Digital 1 input (TTL, +3 – 5VDC) / 1 Output (MOS Relay contact N.O., Load.max. 40VDC,450mW/300mA,450mW), Terminal block |
|----------------------|---|

### Video Streaming

|                   |  |
|-------------------|--|
| Video Compression | H.265/HEVC Main Profile, H.264 Main Profile, Motion JPEG   |
| Video Streaming   | RTSP/UDP, RTSP/TCP, configurable streams in H.265 and H.264 and Motion JPEG, configurable frame rate and bandwidth |
| Number of streams | 3  |
| Video Bitrate     | 128Kbps - 8192Kbps, Frame rate and bit rate controllable on-the-fly, VBR / CBR / GOP supported, H.264/H.265        |

### Network Security

|                |   |
|----------------|---|
| Encryption     | Base64 HTTP encryption, Digest HTTP authentication, RTSP Authentication |
| Authentication | Digest HTTP authentication, RTSP authentication, DDNS via HTTP          |
| Access         | Multiple user access levels with password protection                    |
| User accounts  | 7 simultaneous users  |

### Video Resolutions (H x V)

|                    |   |
|--------------------|---|
| Resolution         | 5MP(2592 × 1920), 4MP(2304 × 1728), 3MP(2304x1280), 2MP(1920 × 1080), 1.3MP(1280 × 960), 1MP(1280 × 720), 720 × 576, 720 × 480, 720 × 384, VGA(640 × 480), CIF(352 × 256) |
| Maximum Frame Rate | 2592x1944 / 20 fps  |

### Video Functions

|                         |  |
|-------------------------|--|
| Scanning System         | Progressive Scan   |
| Infrared Cut Filter     | Auto / Schedule / Day (Color) / Night (Mono)                             |
| White Balance           | Auto/ Manual (adjustable)  |
| Back Light Compensation | Off / On   |
| Electrical Shutter      | 1/30(1/25)s – 1/20000s   |
| Sense Up                | Off / x2 / x4  |
| Sense Up+               | Yes  |
| Auto Gain Control       | 36 dB Variable Gain  |
| S/N Ratio               | More than 48dB (AGC off)   |
| 3D Noise Reduction      | Off / 1 – 32 Selectable  |
| 2D WDR                  | Off / Auto (x2, x3, x4)  |
| High Dynamic Range      | Up to 70dB (DWDR on)   |
| EV (Exposure Value)     | Adjustable   |
| Privacy Masking         | Off / On (4 zones) color mask configurable                               |
| Image Effects           | Brightness, Contrast, Hue, Saturation, Sharpness, Mirror, Flip, Rotation |

### Integration

|                    |   |
|--------------------|---|
| Mobile Application | Integrated to LILIN mobile app (LILIN Viewer), iPhone, iPad, Android support  |
| Video Management   | ONVIF Profile S / LILIN Navigator Enterprise 2.0 support, Third party VMS through LILIN HTTP API                                  |
| SD Card Recording  | Support (128GB) Micro SD/SDHC/SDXC card for circular recording (card is not included)   |
| Maintenance        | Firmware update via HTTP and IP Scan; Firmware available at website   |
| Event Triggers     | Motion / Alarm / Network lost detection / Global Counter / Virtual Input / Metadata   |
| Event actions      | FTP / SMTP / HTTP POST / SD / SAMBA / Alarm / Global Counter / Virtual Input  |
| Languages          | English, Traditional Chinese, Simplified Chinese, Spanish, Italian, Turkish, Russian, Korean, French, Arabic, Hungarian, Japanese |

### Network

|                            |   |
|----------------------------|---|
| Ethernet                   | 10/100 Mbps Base-T (Tx), RJ-45  |
| OSD                        | Text overlay for date, time, and camera name (position configurable text overlay for date, time, camera name)               |
| CPU, Memory                | SoC ARM Cortex-A7 Single Core 800MHZ, Embedded 128MB DDR3, 128MB flash memory   |
| OS                         | Embedded Linux 3.10   |
| Network Protocols          | IPv4, TCP, UDP, HTTP, HTTPS, SMTP, NTP, DDNS, FTP, ARP, DHCP, DNS, RTSP, RTCP, Telnet, ICMP, IGMP, ONVIF Profile S, SSL/TLS |
| Max number of online users | 7 simultaneous users  |
| Video Display              | LILIN Universal ActiveX   |
| Log                        | System / Config / Alarm / User / Record / Storage / Network   |