

# P5R6522E2 1080P Day & Night Fixed IR Vandal Resistant Dome IP Camera

www.meritlilin.com

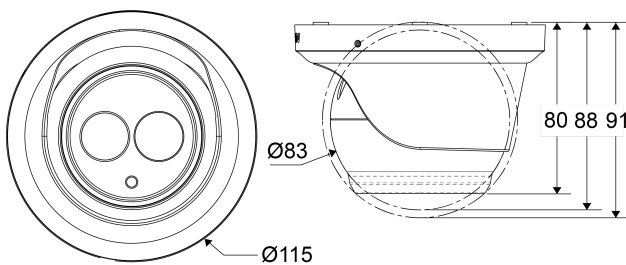


- ▶ Full HD 2 megapixel CMOS image sensor
- ▶ 2MP H.265/HEVC and H.264/AVC high-performance video compression
- ▶ Simultaneous streaming of H.265 and H.264 encoded streams
- ▶ 3D noise reduction (MCTF)
- ▶ 2D WDR function
- ▶ DWDR function up to 70dB
- ▶ High efficiency IR LED, radiant distance up to 30m
- ▶ Day & Night (IR cut removable)
- ▶ ONVIF Profile S supported
- ▶ IP67 rain and dust resistant

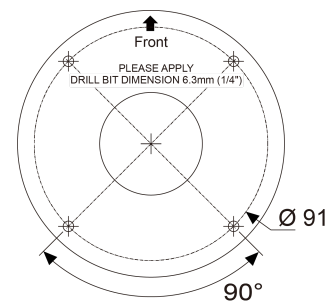


## Dimensions

Ø115 × 91 mm



## Diagram of mounting holes:(unit in mm)



## Wind and Rain Standards

Meet international IP67 standards for dust and moisture resistant allowing you to install cameras in environments subject to wind and rain



## Impact Resistant

IK10-certified housing designed to protect the camera from destructive behavior



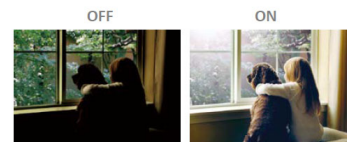
## Day and Night Operations via Removal of the IR-cut filter

P5R6522E2 camera was designed using a mechanical IR cut filter for increased IR sensitivity resulting in improved night time images. The removable IR-cut filter allows day and night operations even in the low lux condition providing outstanding vision



## Back Light Compensation

Back Light Compensation (BLC) adjusts the exposure of the entire image to properly expose the subject in the foreground. No matter if the main object is moving toward left, right, upper, lower, or any location in the screen, BLC provides perfect exposure for an object in front of strong back light



## Sense Up+

Deliver outstanding video outputs in poor light conditions without experiencing motion blur. You can see video clearly even during nighttime without sufficient lighting support



## 3D Noise Reduction

Remove noise from a signal. Suppressing noise in an image in low light conditions and able to retain quality videos at the same time



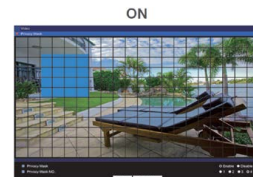
## Wide Dynamic Range (WDR)

Wide Dynamic Range (WDR) displays details of both the brightest and darkest areas. WDR can extend image visibility under high contrast lighting scenes and improve image quality



## Privacy Masking

Privacy Masking is a feature used to protect personal privacy by concealing private areas in the camera's field of view. Doorways and house windows for example are not subject to surveillance



## Video Security App

Available on Android and iOS – LILINViewer app provides security alarm push notification, real-time live viewing, and remote video playback



## Alarm Detection

Alarm Detection is designed to provide the electronic detection of intruders



## 1080P Day & Night Fixed IR Vandal Resistant Dome IP Camera

### Video Performance

Model	P5R6522E2
Min. Illumination	Color : 0.01 Lux at F2.0 ; B/W : 0.002 Lux at F2.0 ; 0 Lux with IR LED ON

### Power and Environment

Starting Temperature	-10°C – +50°C (14°F – 122°F)
Operating Temperature	-30°C – +50°C (-22°F – 122°F)
Storage Temperature	-25°C – +60°C (-13°F – 140°F)
Humidity	0% ~ 90% RH
Power Supply	DC12V ±10% / PoE (IEEE 802.3af compliant)
Power Consumption	DC12V, 6.6W / PoE, 8.5W

### Lens / Night vision (infrared LED)

Focal Length	2.8mm
Iris	F2.0
Iris Control	Fixed IRIS
Angle of View	112.4° (H) 60.2° (V) 129.0° (D)
Peak Wavelength	850nm
Beam Spread	60° , 90°
Radiant Distance	30M

### Sensor

Pick Up Element	1/2.7" CMOS image sensor
Effective Pixels	1932(H) X 1092(V) = 2,109,744 (Pixels)
Light sensor	Yes

### Certifications

CE	Yes, EMI CLASS A
FCC	Yes, EMI CLASS A
IP Rating	IP67
Vandal Resistant Rating	IK10

### PC Requirements

CPU	Intel® Core™ i7 or higher grade
OS	Windows 7 or above
RAM	8GB or more, Dedicated Graphics Card
Web browser	Microsoft® Internet Explorer® 9 or above

### Mechanical

Dimension	Ø115 × 91 mm
Weight	420g
Casing Material	Aluminum alloy

### Video Streaming

Video Compression	H.265/HEVC Main Profile, H.264 Main Profile , Motion JPEG
Video Streaming	RTSP/UDP, RTSP/TCP, configurable streams in H.265 and H.264 and Motion JPEG, configurable frame rate and bandwidth
Number of streams	3
Video Bitrate	128Kbps - 8192Kbps, Frame rate and bit rate controllable on-the-fly, VBR / CBR / GOP supported, H.264/H.265

### Network Security

Encryption	Base64 HTTP encryption, Digest HTTP authentication, RTSP Authentication
Authentication	Digest HTTP authentication, RTSP authentication, DDNS via HTTPS
Access	Multiple user access levels with password protection
User accounts	7 simultaneous users

### Video Resolutions (H x V)

Resolution	2MP(1920 × 1080), 1.3MP(1280 × 960), 1MP(1280 × 720), 720 × 576, 720 × 480, 720 × 384, VGA(640 × 480), CIF(352 × 256)
Maximum Frame Rate	60Hz: 30 fps @ 1920 × 1080 50Hz: 25 fps @ 1920 × 1080

### Video Functions

Scanning System	Progressive Scan
Infrared Cut Filter	Auto / Schedule / Day (Color) / Night (Mono)
White Balance	Auto/ Manual (adjustable)
Back Light Compensation	Off / On
Electrical Shutter	1/30(1/25)s – 1/20000s
Sense Up	Off / x2 / x4
Sense Up+	Yes
Auto Gain Control	42 dB Variable Gain
S/N Ratio	More than 48dB (AGC off)
3D Noise Reduction	Off / 1 – 32 Selectable
2D WDR	Off / Auto (x2, x3, x4)
High Dynamic Range	Up to 70dB (DWDR on)
EV (Exposure Value)	Adjustable
Privacy Masking	Off / On (4 zones) color mask configurable
Image Effects	Brightness, Contrast, Hue, Saturation, Sharpness, Mirror, Flip, Rotation

### Integration

Mobile Application	Integrated to LILIN mobile app (LILIN Viewer), iPhone, iPad, Android support
Video Management	ONVIF Profile S / LILIN Navigator Enterprise 2.0 support, Third party VMS through LILIN HTTP API
Maintenance	Firmware update via HTTP and IP Scan; Firmware available at website
Event Triggers	Motion / Alarm / Network lost detection / Global Counter / Virtual Input / Metadata
Event actions	FTP / SMTP / HTTP POST / Global Counter / Virtual Input
Languages	English, Traditional Chinese, Simplified Chinese, Spanish, Italian, Turkish, Russian, Korean, French, Arabic, Hungarian, Japanese

### Network

Ethernet	10/100 Mbps Base-T (Tx), RJ-45
OSD	Text overlay for date, time, and camera name (position configurable text overlay for date, time, camera name)
CPU, Memory	SoC ARM Cortex-A7 Single Core 800MHz, Embedded 128MB DDR3, 128MB flash memory
OS	Embedded Linux 3.10
Network Protocols	IPv4, TCP, UDP, HTTP, HTTPS, SMTP, NTP, DDNS, FTP, ARP, DHCP, DNS, RTSP, RTCP, Telnet, ICMP, IGMP, ONVIF Profile S, SSL/TLS
Max number of online users	7 simultaneous users
Video Display	LILIN Universal ActiveX
Log	System / Config / User / Network