

PJSK-0100



- 3 axis joysticks for PTZ control
- USB 1.1 HID compliant controller
- Programmable pushbutton switches
- Easy to use and operate
- Compatible with ACTi's video management system

► Specifications

Device

Original Manufacturer	APEM
Product Type	Joystick
Original Model	100-550-BLK-RF
Application Environment	Indoor
Description	Joystick for PTZ Control (for all ENR, INR, and MNR Series)
Joystick Performance	Hall effect three axis joystick; X/Y/Z for positioning control
Joystick Travel	36° for X and Y axis; 60° for Z axis
Centering	Single spring, Omni-Directional
Pushbutton performance	10 tactile pushbuttons on housing; Two tactile pushbuttons on joystick; 3,000,000 cycles
Supported Protocols	USB HID 1.1 controller, Direct X, Joystick: Three HID axes, Pushbuttons: 12 HID buttons, Standard DirectX HID drivers

System

Operating System	Windows 7, Windows XP, Windows 8, Mac OS, Linux
------------------	---

Integration

Unified Solution	Fully compatible with ACTi video management system
------------------	--

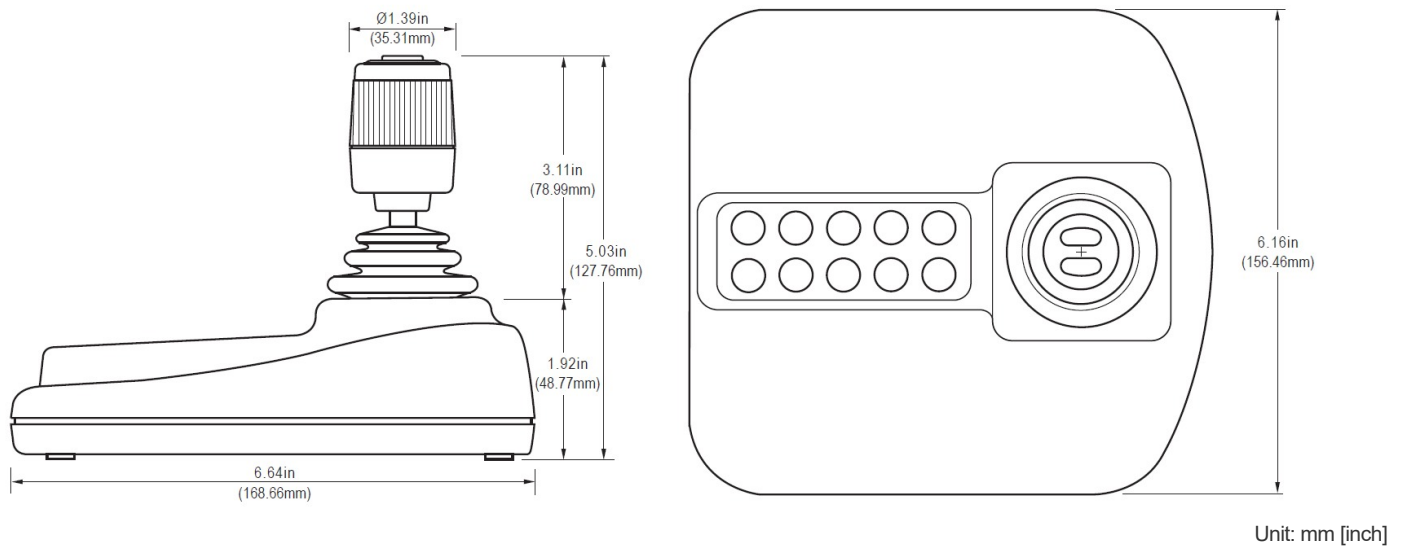
Interface

Joystick Connectors	USB Type A Male; Cable Length: 2m (6.8")
---------------------	--

General

Power Source	DC 5V, via USB interface
Power Consumption	32mA
Weight	440g (0.970lb)
Dimensions	(W x H x D): 156.46mm x 127.76mm x 168.66mm (6.15" x 5.02" x 6.64")
Operating Temperature	-25°C ~ 85°C (-13°F ~ 185°F)
Approvals	EN 55024:1998, EN 55022, CE, FCC Class B, RoHS compliant
Color	Black
Material	Joystick shaft: Stainless Steel Joystick boot: Neoprene Joystick handle: Glass filled nylon Desktop housing: High impact ABS
Warranty	1 Year(s)

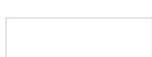
► Dimension Diagram





► Related Products

NVR - Standalone NVR

ENR-010P		4-Channel 1-Bay Mini Standalone NVR with 4-port PoE connectors, Recording Throughput 16 Mbps, HDMI Port, Remote Access, Video Export via USB, 4-Channel Synchronized Playback, 4-channel free license included, Plug & Play with Built-in DHCP Server, 1-Bay (Storage Disks not included), DC 48V
ENR-020P		9-Channel 1-Bay Mini Standalone NVR with 8-port PoE connectors, Recording Throughput 36 Mbps, HDMI Port, Remote Access, Video Export via USB, 9-Channel Synchronized Playback, 9-channel free license included, Plug & Play with Built-in DHCP Server, 1-Bay (Storage Disks not included), DC 48V



ENR-130		16-Channel 2-Bay Desktop Standalone NVR with Recording Throughput 48 Mbps, HDMI Port, Remote Access, Video Export via USB, 16-Channel Synchronized Playback, 16-channel free license included, Plug & Play with Built-in DHCP Server, 2-Bay (Storage Disks not included), DC 12V
INR-340		64-Channel 6-Bay RAID Tower Standalone NVR with Additional Computing Power, Recording Throughput 300 Mbps, Instant Playback, e-Map, HDMI, VGA and Display Port, Remote Access, Video Export, 64-Channel Synchronized Playback, 32-channel free license included (for ACTi video devices) and additional license required (for integration with POS, access control and extended devices), Supports External Storage (eSATA, iSCSI), Hardware RAID 0,1,5,10, 6-Bay (Storage Disks not included), Audio, AC 100-240V
ENR-421		32-Channel 4-Bay Rackmount Standalone NVR with Recording Throughput 300 Mbps, HDMI Port, Remote Access, Video Export via USB, 16-Channel Synchronized Playback, 32-channel free license included, Supports External Storage (iSCSI), Plug & Play with Built-in DHCP Server, 4-Bay (Storage Disks not included), Audio, DI/DO, AC 100-240V
MNR-310		32-Channel 2-Bay Transportation Standalone NVR with Recording Throughput 192 Mbps, Instant Playback, e-Map, HDMI and VGA Port, Remote Access, Video Export, 32-Channel Synchronized Playback, 16-channel free license included (for ACTi video devices) and additional license required (for integration with POS, access control and extended devices), Supports External Storage (eSATA, iSCSI), Software RAID 0,1, 2-Bay (Storage Disks not included), Wireless (Optional), DC 9-36V/AC 100-240V, e-Mark
MNR-320P		16-Channel 1-Bay GPS Transportation Standalone NVR with 4-port PoE Connectors, with Recording Throughput 192 Mbps, Instant Playback, e-Map, Shock Detection with built-in G-sensor, HDMI and VGA Port, Remote Access, Video Export, 16-Channel Synchronized Playback, 16-channel free license included (for ACTi video devices) and additional license required (for integration with POS, access control and extended devices), 1-Bay (Storage Disks not included), Wireless (Optional), Audio, DI/DO, DC 9-36V, e-Mark
MNR-330P		16-Channel 1-Bay GPS Transportation Standalone NVR with 4-port PoE Connectors, Additional Computing Power, with Recording Throughput 192 Mbps, Instant Playback, e-Map, Shock Detection with built-in G-sensor, HDMI and VGA Port, Remote Access, Video Export, 16-Channel Synchronized Playback, 16-channel free license included (for ACTi video devices) and additional license required (for integration with POS, access control and extended devices), 1-Bay (Storage Disks not included), Wireless (Optional), Audio, DI/DO, DC 9-36V, e-Mark